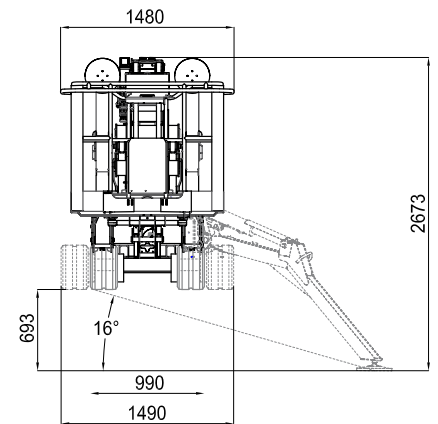
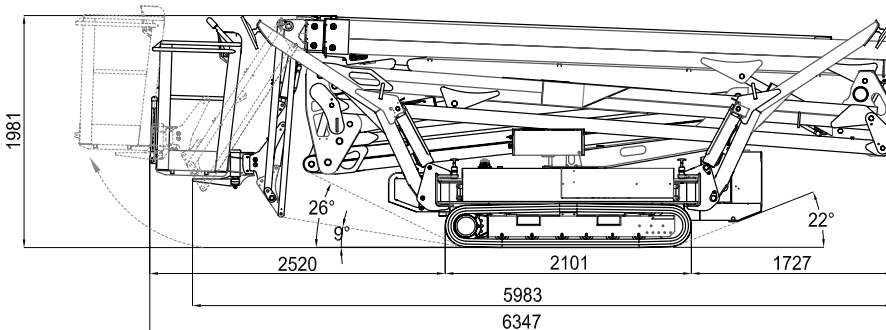
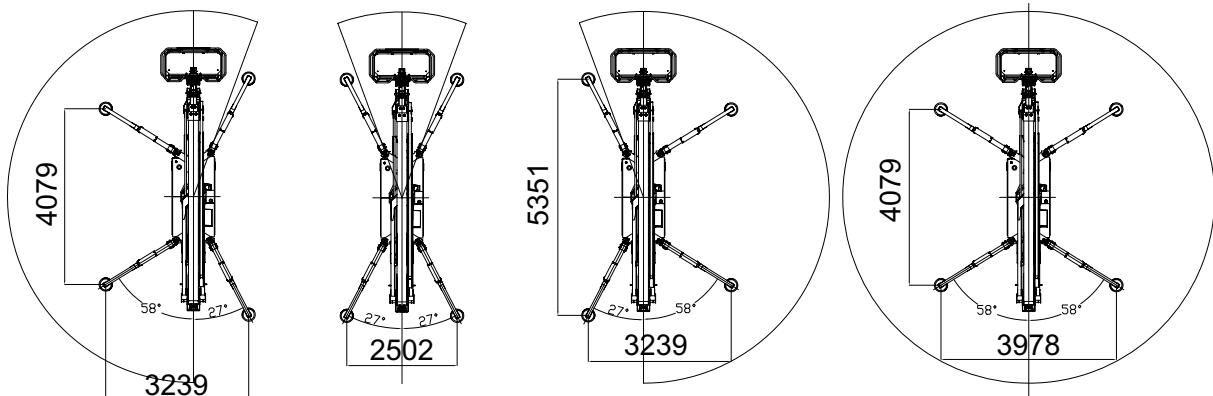


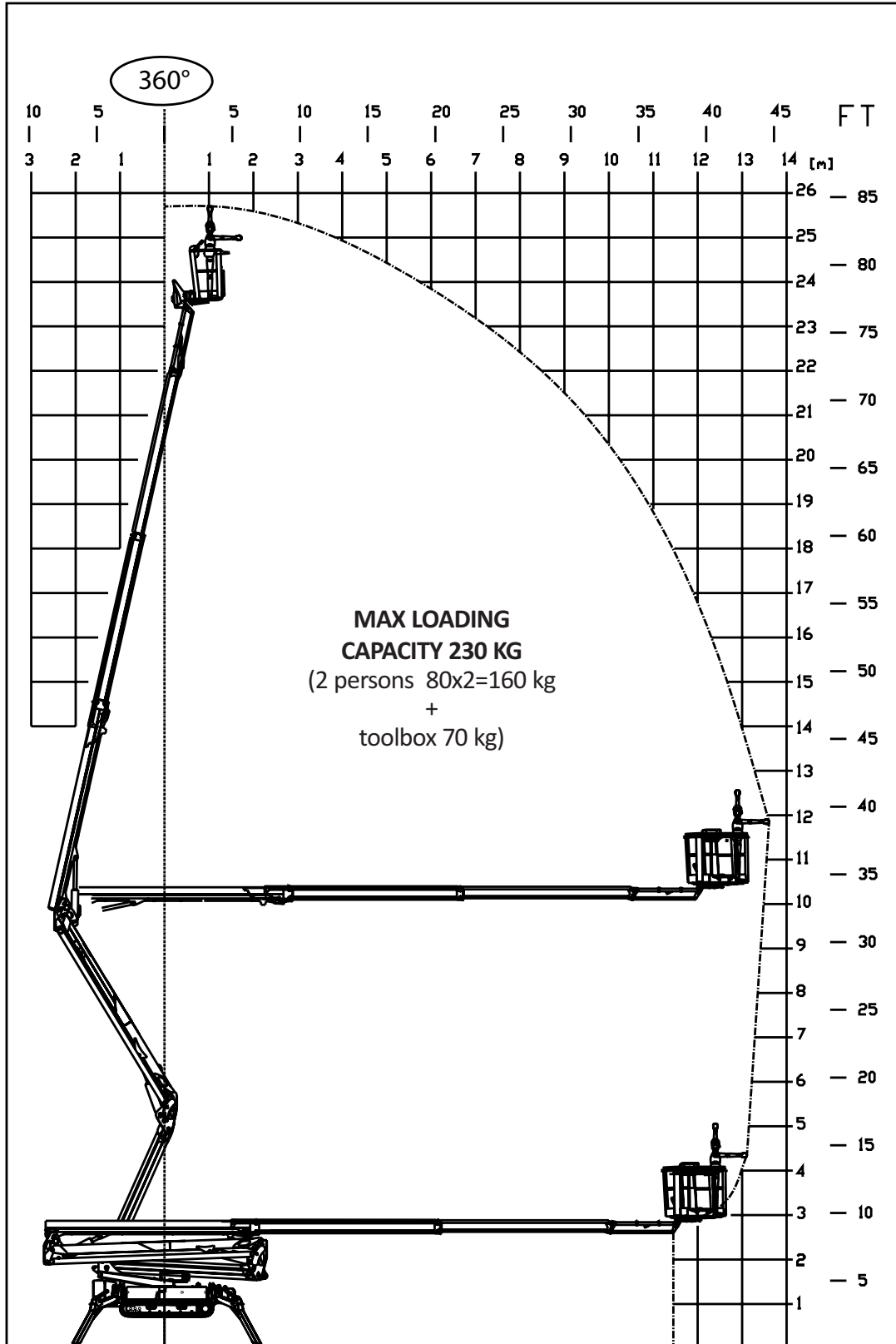
# LIGHTLIFT 26.14 *PERFORMANCE III*



## VARIABLE AREA OF STABILIZATION



# LIGHTLIFT 26.14 *PERFORMANCE III*



# LIGHTLIFT 26.14 *PERFORMANCE III S*

## DIESEL ENGINE

Brand .....Kubota  
Type.....D902  
Pistons no. and displacement.....898 cm<sup>3</sup>  
Max. gross power. ....21,6 HP - 16,1 Kw @ 3200 rpm  
Setting .....3200 rpm  
Electrical start.....12 volt

## ELECTRIC MOTOR

Standard .....230V / 50 Hz - 2,2 Kw 1500 rpm  
Optional .....110V / 50 Hz - 2,2 Kw 1500 rpm

## HYDRAULIC PUMPS

Pump diesel engine .....double 2x6,67 cm<sup>3</sup>  
Pump electric motor .....double 2x3,34 cm<sup>3</sup>  
Translation system/outriggers pressure .....185 bar  
Aerial system pressure .....200 bar

## TRACKED UNDERCARRIAGE

Track tensioner .....grease-filled  
Rollers no. per side.....6 + slide  
Widening system.....990 / 1490 mm

**OPERATING WEIGHT** ..... 4365 kg  
**MAX UPPER SLANT**.....16° / 28,7%  
**MAX WIND SPEED**.....12,5 m/s



TRACKED AERIAL  
PLATFORMS

**LITHIUM**

# LIGHTLIFT 26.14 *PERFORMANCE*

## ELECTRIC MOTOR

Electric motor .....	3,5kW/ 83V
Electric system voltage.....	83V-12V
Lithium battery pack .....	83V / 100Ah
Estimated battery range on full charge .....	4-5 h
Onboard battery charger .....	220V ± 30V 50÷60Hz
Optional battery charger .....	110V ± 30V 50÷60Hz
Estimated recharge time on flat batteries.....	4-5 h
Estimated recharge time to 80% on flat batteries .....	2 h
No. of possible recharges .....	2000 cycles

## HYDRAULIC PUMPS

Translation system/outriggers pressure .....	185 bar
Aerial system pressure .....	200 bar

## TRACKED UNDERCARRIAGE

Track tensioner .....	grease-filled
Rollers no. per side.....	6 + slide
Widening system.....	990 / 1490 mm

<b>MAX UPPER SLANT</b> .....	16° / 28,7%
<b>MAX WIND SPEED</b> .....	12,5 m/s