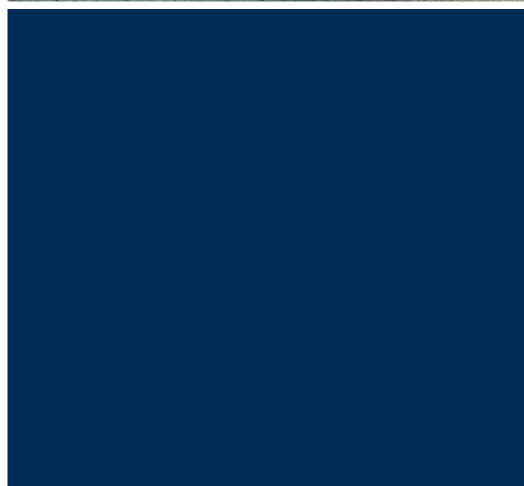
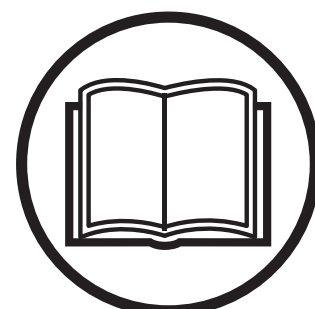




Husqvarna®



**Operator's manual Manuel d'utilisation
Bedienungsanweisung Istruzioni per l'uso
Manual de instrucciones Gebruiksaanwijzing
Bruksanvisning Instruções par o uso
Instruções de uso
FS400 LV**



**GB FR DE IT ES
NL SE PT BR**

Please read the operator's manual carefully and make sure you understand the instructions before using the machine.

Lire attentivement et bien assimiler le manuel d'utilisation avant d'utiliser la machine.

Lesen Sie die Bedienungsanweisung sorgfältig durch und machen Sie sich mit dem Inhalt vertraut, bevor Sie das Gerät benutzen.

Prima di usare la macchina, leggere per intero le istruzioni per l'uso e accertarsi di averne compreso il contenuto.

Lea detenidamente el manual de instrucciones y asegúrese de entender su contenido antes de utilizar la máquina.

Neem de gebruiksaanwijzing grondig door en gebruik de machine niet voor u alles duidelijk heeft begrepen.

Läs igenom bruksanvisningen noggrant och förstå innehållet innan du använder maskinen.

Leia as instruções para o uso com toda a atenção e compreenda o seu conteúdo antes de fazer uso da máquina.

Leia as instruções de uso com atenção e compreenda seu conteúdo antes de usar a máquina.

KEY TO SYMBOLS

Symbols on the machine:

WARNING! The machine can be a dangerous tool if used incorrectly or carelessly, which can cause serious or fatal injury to the operator or others.



Please read the operator's manual carefully and make sure you understand the instructions before using the machine.



Wear personal protective equipment. See instructions under the "Personal protective equipment" heading.



All displacement of the machine outside the cutting area shall be carried out with the tool not in rotation.



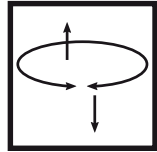
Remove the blade prior to hoisting, loading, unloading and transporting the machine.



Arrow on tool guard indicating the direction of tool rotation.



Up and down plunging



The guards should always be fitted on the machine. Never allow blade exposure to exceed 180°.



Check the cutting attachment. Never use blunt, cracked or damaged equipment.



The blades should be marked with the same or a higher speed than that stated on the machine's rating plate. A cutting blade running at a too high speed can break or cause serious damage.



Do not use the machine near ignitable substances or gases.



WARNING! Dust forms when cutting, this can cause injuries if inhaled. Use an approved breathing mask. Avoid inhaling exhaust fumes. Always provide for good ventilation.



Hot surface.



Machinery hazard! Always keep all parts of your body away from blade and all other moving parts.



Risk of cutting. Keep all parts of your body away from the cutting equipment.



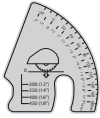
Transmission stop



Parking brake Activated / Deactivated



Cutting depth indicator



Fill tank only with water



Keep saw leveled, without blade, when checking oil level.



Always use the machine mounted lifting eye when lifting.



This product is in accordance with applicable EC directives. If marked on the machine.



Noise emission to the environment according to the European Community's Directive. The machine's emission is specified in the Technical data chapter and on the label.



FS400 LV

Husqvarna
FS 400 LV

Type plate

A: Brand

B: Manufacturer, address

C: Type

D: Manufacturing date, year, week Serial number

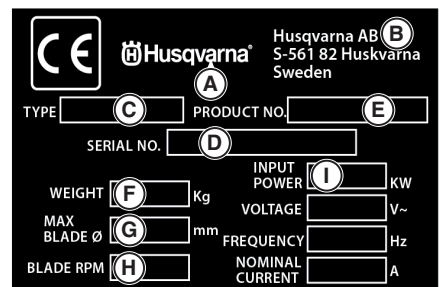
E: Product number

F: Weight

G: Blade size - max, mm

H: Speed, blade, rpm

I: Power input max (kW)



Other symbols/decals on the machine refer to special certification requirements for certain markets.

KEY TO SYMBOLS

Explanation of warning levels

The warnings are graded in three levels.

WARNING!



WARNING! Used if there is a risk of serious injury or death for the operator or damage to the surroundings if the instructions in the manual are not followed.

CAUTION!



CAUTION! Used if there is a risk of injury to the operator or damage to the surroundings if the instructions in the manual are not followed.

NOTICE!

NOTICE! Used if there is a risk of damage to materials or the machine if the instructions in the manual are not followed.

CONTENTS

Contents

KEY TO SYMBOLS

Symbols on the machine:	2
Explanation of warning levels	3

CONTENTS

Contents	4
----------------	---

PRESENTATION

Dear Customer,	5
Features	5

PRESENTATION

What is what on the machine?	6
------------------------------------	---

MACHINE'S SAFETY EQUIPMENT

General	7
---------------	---

ASSEMBLING AND ADJUSTMENTS

General	8
Fitting the blade	8
Handle height	8
Cutting depth indicator	8
Parking brake	9

BLADES

General	10
Water cooling	10
Diamond blades for different materials	10
Checking the blade	10
Transport and storage	10

FUEL HANDLING

General	11
Fuel	11
Fueling	11

OPERATING

Protective equipment	12
General safety precautions	12
Transport and storage	13

STARTING AND STOPPING

Before starting	14
Starting	14
Stopping	14

MAINTENANCE

General	15
Maintenance schedule	15
Cleaning	15
Functional inspection	16
Greasing	16
Worn product	16

TECHNICAL DATA

Technical data	17
EC Declaration of Conformity	18

Dear Customer,

Thank you for choosing a Husqvarna product!

It is our wish that you will be satisfied with your product and that it will be your companion for a long time. A purchase of one of our products gives you access to professional help with repairs and services. If the retailer who sells your machine is not one of our authorized dealers, ask him for the address of your nearest service workshop.

This operator's manual is a valuable document. Make sure it is always at hand at the work place. By following its content (operating, service, maintenance etc.) the life span and the second-hand value of the machine can be extended. If you will sell this machine, make sure that the buyer will get the operator's manual.

More than 300 years of innovation

Husqvarna AB is a Swedish company based on a tradition that dates back to 1689, when the Swedish King Karl XI ordered the construction of a factory for production of muskets. At that time, the foundation was already laid for the engineering skills behind the development of some of the world's leading products in areas such as hunting weapons, bicycles, motorcycles, domestic appliances, sewing machines and outdoor products.

Husqvarna is the global leader in outdoor power products for forestry, park maintenance and lawn and garden care, as well as cutting equipment and diamond tools for the construction and stone industries.

User responsibility

It is the owner's/employer's responsibility that the operator has sufficient knowledge about how to use the machine safely. Supervisors and operators must have read and understood the Operator's Manual. They must be aware of:

- The machine's safety instructions.
- The machine's range of applications and limitations.
- How the machine is to be used and maintained.

National legislation could regulate the use of this machine. Find out what legislation is applicable in the place where you work before you start using the machine.

The manufacturer's reservation

All information and all data in the Operator's Manual were applicable at the time the Operator's Manual was sent to print.

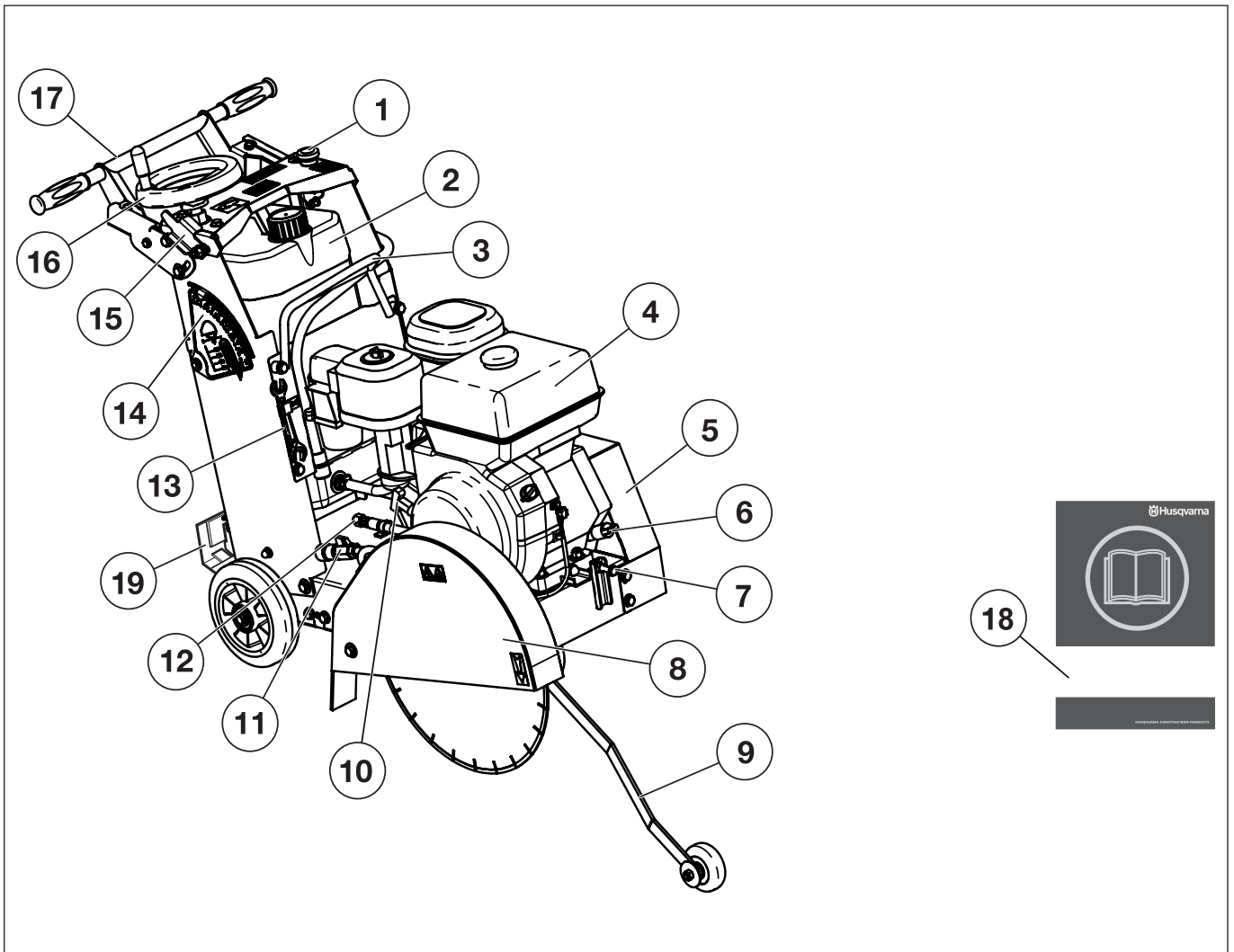
Husqvarna AB has a policy of continuous product development and therefore reserves the right to modify the design and appearance of products without prior notice.

Features

Values such as high performance, reliability, innovative technology, advanced technical solutions and environmental considerations distinguish Husqvarna's products.

Some of the unique features of your product are described below.

PRESENTATION



What is what on the machine?

- | | |
|---------------------------------|---------------------------------|
| 1 Machine stop | 11 Water tap |
| 2 Water tank | 12 Draining, engine oil |
| 3 Lifting eye | 13 Service spanner |
| 4 Fuel tank | 14 Cutting depth indicator |
| 5 Protective cover - drive belt | 15 Locking lever, cutting depth |
| 6 Engine oil fill | 16 Feeding wheel, cutting depth |
| 7 Tension screw, drive belt | 17 Handle |
| 8 Blade guard | 18 Operator's manual |
| 9 Front guide | 19 Parking brake |
| 10 Starter handle | |

MACHINE'S SAFETY EQUIPMENT

General



WARNING! Never use a machine that has faulty safety equipment! If your machine fails any checks contact your service agent to get it repaired.

The engine should be switched off, and the stop switch in STOP position.

This section describes the machine's safety equipment, its purpose, and how checks and maintenance should be carried out to ensure that it operates correctly.

Machine stop

The machine stop is used to quickly switch off the engine and all electrical functions except lights.

Testing the machine stop

- Press the machine stop and check that the engine stops.
- Disengage machine stop button (twist clockwise).

Blade guard



WARNING! Always check that the blade guard is fitted correctly before starting the machine.

The blade guard is designed to prevent parts of the blade or cutting fragments from being thrown towards the user.

Checking the blade guard

Check that the blade guard is not damaged or cracked. Replace the blade guard if it is exposed to impact or is cracked.

Always check that the guard is correctly fitted before starting the machine. Also check that the blade is fitted correctly and is not damaged in any way. A damaged blade can cause personal injuries.

Muffler



WARNING! Never use a machine without a muffler, or with a faulty muffler. A damaged muffler may substantially increase the noise level and the fire hazard. Keep fire fighting equipment handy.

The muffler gets very hot during and after use. This also applies during idling. Be aware of the fire hazard, especially when working near flammable substances and/or vapours.

The muffler is designed to keep noise levels to a minimum and to direct exhaust fumes away from the user.

Inspecting the muffler

Check regularly that the muffler is complete and secured correctly.

ASSEMBLING AND ADJUSTMENTS

General

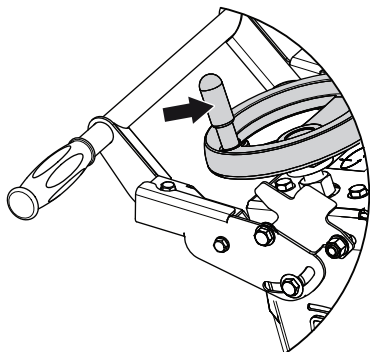


WARNING! Switch off the engine before carrying out any checks or maintenance.

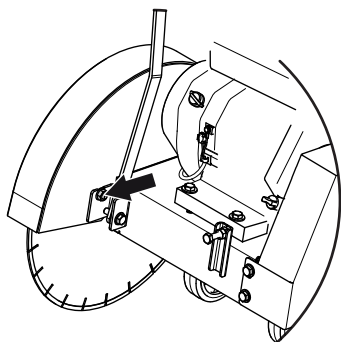
Check that the blade and the blade guard are correctly fitted before starting the machine.

Fitting the blade

- Wind up the cutting depth feeding wheel.



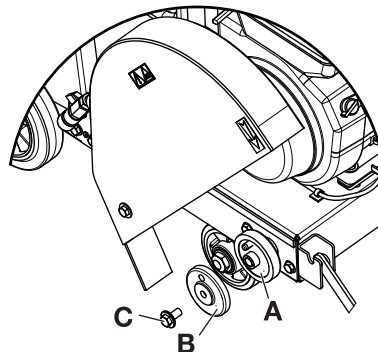
- Switch off the water tap. Disconnect the water hose from the blade guard.
- Loosen the front nut and tilt the blade guard to service position.



WARNING! Check that the blade, blade flange and blade shaft are undamaged. Clean the contact surfaces of the blade and the blade flange. Make sure the blade and the flanges are clean and free of dirt and debris before mounting the blade on the machine.

- Check the blade's direction of rotation. The arrow on the blade indicates the direction of rotation.

- Fit the blade on the blade shaft (A). Fit the blade flange (B) over the blade. Make sure that locking pin on flange (A) passes through the blade and into the flange (B). Tighten the screw (C) properly using the supplied spanner.

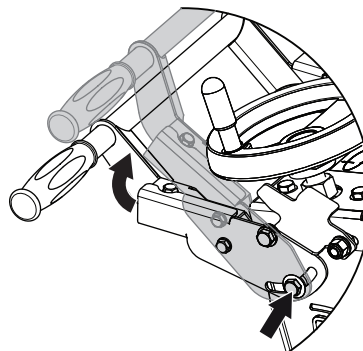


- Refit the blade guard and water hose in reverse order as set out for dismantling.

Handle height

The height of the lever can be adjusted in height.

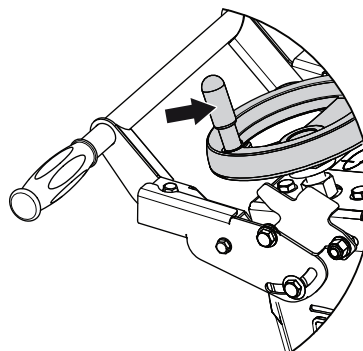
- Loosen the screw. Set handle to most comfortable working height. Tighten the screw.



Cutting depth indicator

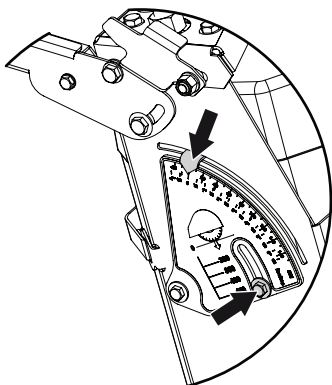
The indicator must be calibrated before it is taken into use.

- Wind down the blade so that it barely touches the ground.



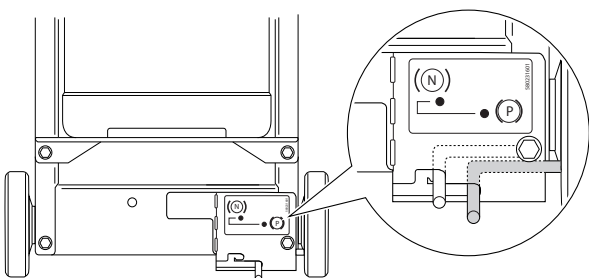
ASSEMBLING AND ADJUSTMENTS

- Loosen the screw. Position the indicator arrow to "0". Tighten the screw.



Parking brake

Apply the parking brake.



BLADES

General

- Diamond blades consist of a steel core provided with segments that contain industrial diamonds.
- Always use a sharp diamond blade.
- The blades should be marked with the same or a higher speed than that stated on the machine's rating plate.
- Never use blades other than original blades designed for the machine.

Water cooling

Water cooling must always be used. This cools the blades and increases their life and prevents dust build-up.

Diamond blades for different materials



Husqvarna has a wide range of wet cutting blades for floor and wall cutting, including blades for everything from fresh to hardened concrete in different hardness classes as well as a comprehensive range of asphalt blades. Check with your Husqvarna dealer to see which blades are best suited for your usage.

Checking the blade

- Check that the blade and the blade guard are not damaged or cracked. Replace the blade or the blade guard if it has been exposed to impact or is cracked. Never use a damaged or worn blade.
- Check that the right amount of water reaches the blade.

Transport and storage

- Inspect new blades for transport or storage damage.
- The blade should be removed from the machine after use and stored well. Store the blade dry.

FUEL HANDLING

General



WARNING! Running an engine in a confined or badly ventilated area can result in death due to asphyxiation or carbon monoxide poisoning.

Fuel and fuel fumes are highly flammable and can cause serious injury when inhaled or allowed to come in contact with the skin. For this reason observe caution when handling fuel and make sure there is adequate ventilation.

The exhaust fumes from the engine are hot and may contain sparks which can start a fire. Never start the machine indoors or near combustible material!

Do not smoke and do not place any hot objects in the vicinity of fuel.

Fuel

NOTICE! The machine is equipped with a four-stroke engine. Make sure there is always sufficient oil in the engine.

Petrol

- Use good quality unleaded or leaded petrol.
- The lowest octane recommended is 90 (RON). If you run the engine on a lower octane grade than 90 so-called knocking can occur. This gives rise to a high engine temperature, which can result in serious engine damage.

Engine oil

- Check the oil level before starting the machine. A too low oil level can cause serious damage to the engine. See instructions in the section "Maintenance".
- Never use oil intended for two-stroke engines.

Fueling



WARNING! Always stop the engine and let it cool for a few minutes before refuelling.

When refuelling, open the fuel cap slowly so that any excess pressure is released gently.

Clean the area around the fuel cap.

Tighten the fuel cap carefully after refuelling.

Move the machine at least 3 m from the refuelling point before starting it.

Never start the machine:

- If you have spilled fuel or engine oil on the machine. Wipe off the spill and allow the remaining fuel to evaporate.
- If you have spilled fuel on yourself or your clothes, change your clothes. Wash any part of your body that has come in contact with fuel. Use soap and water.
- If the machine is leaking fuel. Check regularly for leaks from the fuel cap and fuel lines.

Transport and storage

- Store and transport the machine and fuel so that there is no risk of any leakage or fumes coming into contact with sparks or open flames, for example, from electrical machinery, electric motors, electrical relays/switches or boilers.
- When storing and transporting fuel always use approved containers intended for this purpose.

Long-term storage

- When storing the machine for long periods the fuel tank must be emptied. Contact your local petrol station to find out where to dispose of excess fuel.

OPERATING

Protective equipment

General

- Do not use the machine unless you are able to call for help in the event of an accident.

Personal protective equipment

You must use approved personal protective equipment whenever you use the machine. Personal protective equipment cannot eliminate the risk of injury but it will reduce the degree of injury if an accident does happen. Ask your dealer for help in choosing the right equipment.



WARNING! The use of products such as cutters, grinders, drills, that sand or form material can generate dust and vapours which may contain hazardous chemicals. Check the nature of the material you intend to process and use an appropriate breathing mask.

Long-term exposure to noise can result in permanent hearing impairment. So always use approved hearing protection. Listen out for warning signals or shouts when you are wearing hearing protection. Always remove your hearing protection as soon as the engine stops.

Always wear:

- Approved protective helmet.
- Approved hearing protection.
- Protective goggles or a visor.
- Breathing mask.
- Tight-fitting, heavy-duty and comfortable clothing that permits full freedom of movement.
- Boots with steel toe-caps and non-slip sole.

Other protective equipment

IMPORTANT! Sparks may appear and start a fire when you work with the machine. Always keep fire fighting equipment handy.

- Fire Extinguisher.
- Always have a first aid kit nearby.

General safety precautions

This section describes basic safety directions for using the machine. This information is never a substitute for professional skills and experience.

- Please read the operator's manual carefully and make sure you understand the instructions before using the machine.
- Keep in mind that the operator is responsible for accidents or hazards occurring to other people or their property.
- The machine must be kept clean. Signs and stickers must be fully legible.

Always use common sense

It is not possible to cover every conceivable situation you can face. Always exercise care and use your common sense. If you get into a situation where you feel unsafe, stop and seek expert advice. Contact your dealer, service agent or an experienced user. Do not attempt any task that you feel unsure of!



WARNING! The machine can be a dangerous tool if used incorrectly or carelessly, which can cause serious or fatal injury to the operator or others.

Never allow children or other persons not trained in the use of the machine to use or service it.

Never allow anyone else to use the machine without first ensuring that they have read and understood the contents of the operator's manual.

Never use the machine if you are fatigued, while under the influence of alcohol or drugs, medication or anything that could affect your vision, alertness, coordination or judgement.



WARNING! Unauthorized modifications and/or accessories may lead to serious injury or death to the user or others. Under no circumstances may the design of the machine be modified without the permission of the manufacturer.

Do not modify this product or use it if it appears to have been modified by others.

Never use a machine that is faulty. Carry out the safety checks, maintenance and service instructions described in this manual. Some maintenance and service measures must be carried out by trained and qualified specialists. See instructions under the Maintenance heading.

Always use genuine accessories.



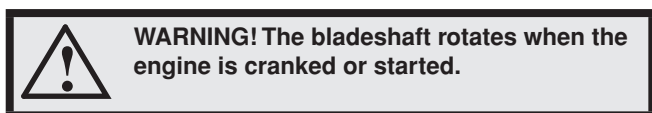
WARNING! This machine produces an electromagnetic field during operation. This field may under some circumstances interfere with active or passive medical implants. To reduce the risk of serious or fatal injury, we recommend persons with medical implants to consult their physician and the medical implant manufacturer before operating this machine.

OPERATING

Work area safety

- Observe your surroundings to ensure that nothing can affect your control of the machine.
- Ensure that no one/nothing can come into contact with the cutting equipment or be hit by parts if the blade breaks.
- Do not use the machine in bad weather, such as dense fog, heavy rain, strong wind, intense cold, etc. Working in bad weather is tiring and can lead to dangerous conditions, e.g. slippery surfaces.
- Never start to work with the machine before the working area is clear and you have a firm foothold. Look out for any obstacles with unexpected movement. Ensure when cutting that no material can become loose and fall, causing injury to the operator. Take great care when working on sloping ground.
- Ensure that the working area is sufficiently illuminated to create a safe working environment.
- Make sure that no pipes or electrical cables are routed in the working area or in the material to be cut.
- Make sure that electrical cables within the working area are not live.

Basic working techniques



- This machine is designed and intended for cutting of fresh and hardened concrete in different hardness classes and of asphalt. Use in any other way is considered as contrary to the intended use.
- Always saw in a manner that permits easy access to the machine stop.
- Check that no tools or other objects have been left lying on the machine.
- Never leave the machine unsupervised with the motor running.
- Always check that the blade guard is fitted correctly before starting the machine. Never cut without using the blade guard.
- Clearly mark out all cuts to be made before you start sawing, plan these so they can be carried out without danger to persons or the machine.
- Do not turn, rotate or move the machine sideways while the blade is rotating.
- Firmly secure or anchor concrete blocks before cutting. The heavy weight of cut material can cause both extensive damage to the machine and serious personal injury if it cannot be moved under controlled conditions.
- Make sure that there is always another person close at hand when you use the machines, so that you can call for help if an accident should occur.

Transport and storage

- The machine is equipped with transportation wheels, and can easily be transported without the engine running. Make sure that the blade is in the top position before moving the machine.
- Remove the blade before transportation or storage of the machine.
- Observe care when lifting. You are handling heavy parts, which imply the risk of pinch injuries or other injuries.
- Always use the machine mounted lifting eye when lifting.
- Secure the equipment during transportation in order to avoid transport damage and accidents.
- For transport and storage of fuel, see the section "Fuel handling".
- For transport and storage of Blades, see the section "Blades".
- Store the equipment in a lockable area so that it is out of reach of children and unauthorized persons.
- If there is a risk of freezing, the machine must be drained of any remaining water.

STARTING AND STOPPING

Before starting

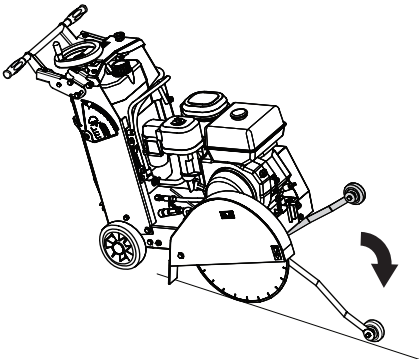


WARNING! Please read the operator's manual carefully and make sure you understand the instructions before using the machine.

Wear personal protective equipment. See instructions under the "Personal protective equipment" heading.

Make sure no unauthorised persons are in the working area, otherwise there is a risk of serious personal injury.

- Perform daily maintenance. See instructions in the section "Maintenance".
- Fill the water tank or connect the machine to a water supply.
- Mark the cuts to be made.
- Front pointer must be checked for alignment with blade.
- Lay a straight edge along inner flange. Align the front pointer to the straight edge. If required, adjust the front pointer by loosening the nuts that hold the guide wheel in place. Align the guide wheel to the straight edge and retighten the nuts.
- Lower the front guide and align the machine with the marking.



Starting

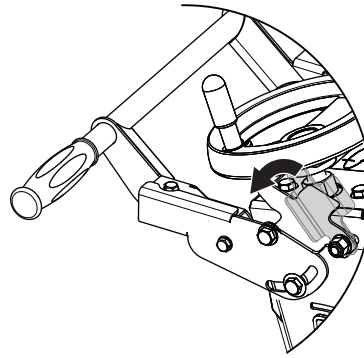
Start the engine

- Read the operator's manual supplied by the engine manufacturer.

Start the cutting

- Open the water tap.
- Check that the water tubing in the blade guard is open and that each side of the blade has an adequate supply of water.
- Test the water supply for pressure and quantity (flow) before starting the saw.
- Run the engine on full throttle.

- Lower the wheel locking control for setting of cutting depth.



- Saw only as deep as the job specifications require. Sawing deeper than required will add excessive wear to the blade and machine.
- Make a guiding cut, approx 20-30mm (1inch) deep.
- Cut increments of 50mm (2inches) deep until cutting depth specification is reached. This is known as "step cutting".
- Raise the wheel locking control for setting of the cutting depth.
- Saw only in a straight line. Mark cutting line clearly so that the saw operator can follow cutting line without difficulty.
- Slowly push the machine forwards. Make sure that the front guide and the blade do not deviate from the marking.

NOTICE! Saw should NOT be twisted from side to side to force blade back on line.

Stopping

Stop the cutting

- Lower the wheel locking control for setting of cutting depth. Unwind the blade from the groove.
- Raise the wheel locking control for setting of the cutting depth.
- Switch off the water tap.

Stop the engine

- Read the operator's manual supplied by the engine manufacturer.
- Press the machine stop and check that the engine stops.

MAINTENANCE

General



WARNING! The user must only carry out the maintenance and service work described in this Operator's Manual. More extensive work must be carried out by an authorized service workshop.

Switch off the engine before carrying out any checks or maintenance.

Wear personal protective equipment. See instructions under the "Personal protective equipment" heading.

The life span of the machine can be reduced and the risk of accidents can increase if machine maintenance is not carried out correctly and if service and/or repairs are not carried out professionally. If you need further information please contact your nearest service workshop.

- Let your Husqvarna dealer regularly check the machine and make essential adjustments and repairs.

Maintenance schedule

In the maintenance schedule you can see which parts of your machine that require maintenance, and with which intervals it should take place. The intervals are calculated based on daily use of the machine, and may differ depending on the rate of usage.

Daily maintenance
Cleaning
External cleaning
Air filter
Sediment cup
Functional inspection
General inspection
Engine oil
Drive belt
Machine stop*
Blade guards*
Muffler*
Blade**
Lubrication
Blade shaft, daily
Grease nipple for depth adjustment system daily

*See instructions in the section "Machine's safety equipment".

** See instructions in the section "Blades" and "Assembly and settings".

Cleaning

External cleaning

- Check that all couplings, connections and cables are intact and free from dirt.
- The blade is cooled by water being sprayed through small holes in the blade guard. Make sure that these small holes are unblocked so that the blade is properly cooled.

Air filter

For cleaning and change of air filter, read the operator's manual supplied by the engine manufacturer.

- The air filter may need cleaning 2-3 times per day in extremely dusty environments.
- A damaged air filter must always be replaced.



CAUTION! The filter must not be cleaned with compressed air, this will damage the filter. Filters can be vacuumed out for cleaning but avoid hitting or dragging items across the surface as this will damage the filter.

Paper filters are to be disposed of correctly and replaced.

A polyester filter can be cleaned via vacuuming or low pressure washing.

Do not use high pressure washing, this will damage the filter.

A damaged air filter must always be replaced.

A washed filter must be 100% dry before being placed back onto the equipment.

Spark plug

- If the machine is low on power, difficult to start or runs poorly at idle speed: always check the spark plug first before taking other steps.
- Ensure that the spark plug cap and ignition lead are undamaged to avoid the risk of electric shock.
- If the spark plug is dirty, clean it and at the same time check the electrode gap. Replace if necessary. See the supplied instruction manual for the engine.

CAUTION! Always use the recommended spark plug type! Use of the wrong spark plug can damage the piston/cylinder.

These factors cause deposits on the spark plug electrodes, which may result in operating problems and starting difficulties.

- An incorrect fuel mixture (too much or incorrect type of oil).
- A dirty air filter.

MAINTENANCE

Functional inspection

General inspection

- Check that nuts and screws are tightened.

Engine oil

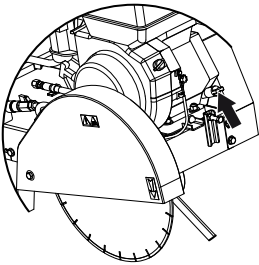


CAUTION! Remember that oil can pose a hazard to health and the environment. Follow local regulations for disposal and recycling.

For change of engine oil, read the operator's manual supplied by the engine manufacturer.

Checking the engine's oil level.

- The engine must be placed in a horizontal position when checking the oil level. Dismantle the blade or take other measures to be able to tilt the machine so that the engine is placed in a horizontal position.
- Check oil level and top up if necessary. The oil level must never be below the lower mark on dipstick, see engine manual.



- For the best result and function use HUSQVARNA engine oil.
- When HUSQVARNA engine oil is not available another high grade engine oil can be used. Use engine oil of quality SAE 10W-30, class API, MS, SD, SE or higher.
- Never use oil intended for two-stroke engines.

Drive belt

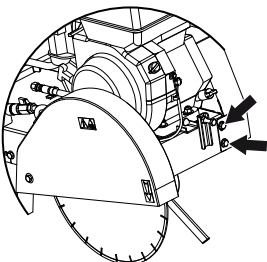
NOTICE! Do not over-tension the drive belt.

- Check that drive belt is not damaged and is not visibly defective.

Tensioning the drive belt

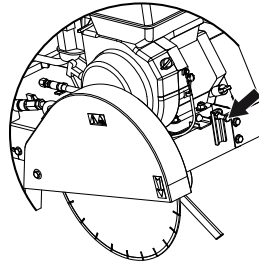
The tension of a new drive belt must be readjusted after one or two tanks of fuel have been used.

- Loosen the beltguard screws. Remove the cover.



- Loosen the screws holding the engine in place.

- Turn the tension screw a quarter turn. the engine will be pushed towards the rear, and the belt is tensioned.



- Make sure that the belt pulleys are parallel and aligned with each other. Tighten the screws holding the engine and then unscrew the tension screw 2 turns to prevent it coming into contact with the engine block. Refit the belt guard and tighten the screws holding the belt guard in place.

Fuel system

General

- Check that the fuel cap and its seal are not damaged.
- Check the fuel hose. Replace if necessary.

Greasing

Blade shaft

- Grease the blade shaft daily. Connect the grease gun and pump 3-5 strokes or until grease can be seen at the edges. Only use DIN 51825 grease classification K2K-30 or K3K-30.

Grease nipple for depth adjustment system

Lubricate the grease nipples for setting of the cutting depth daily.

Nut for feeding of cutting depth

Grease the feeding screw a couple of cm above and below the nut and adjust the saw up and down a couple of times to spread the grease.

Worn product

This machine has the prerequisites to last for many years. This minimizes the machine's environmental impact. Perform service and maintenance according to the instructions in this manual. This way the engine will last longer and the hazardous emissions are minimized.

When the machine is worn out it should be disposed of for recycling or scrapping. Follow local regulations for disposal and recycling.

Main materials

Engine

Aluminium (AL), Steel (AC), Copper (CU), Polyamide (PA).

Machine

Steel (AC), Fonte (FT), Aluminium (AL).

TECHNICAL DATA

Technical data

FS 400 LV

	450/18	500/20
Blade size - max, mm/inch	450/18	500/20
Cutting depth - max, mm/inch	162/6.5	187/7.5
The rotation speed of the spindle (at engine speed 3700 rpm), rpm	3000	
Arbor size, mm/inch	25.4/1	
Blade flange diameter, mm/inch	89/3.5	
Engine oil	SAE 10W-30, class API, MS, SD, SE or higher.	
Weight		
Machine with empty tanks, kg/lb	104/229	107/236
Operating weight, kg/lb	135/298	145/320
Dimensions (LxWxH), mm/inch	1090x615x990/ 42.9x24.2x39.0	1120x615x990/ 44.1x24.2x39.0

Noise emissions (see note 1)		
Sound power level, measured dB(A)	109	
Sound power level, guaranteed L _{WA} dB(A)	112	
Sound levels (see note 2)		
Sound pressure level at the operators ear, dB(A)	9€	
Vibration levels, a_{hv} (see note 3)		
Handle right, m/s ²	2.5	
Handle left, m/s ²	3.2	

Note 1: Noise emissions in the environment measured as sound power (L_{WA}) in conformity with EC directive 2000/14/EC.

Note 2: Noise pressure level according to EN 13862. Reported data for noise pressure level has a typical statistical dispersion (standard deviation) of 4.0 dB(A).

Note 3: Vibration level according to EN 13862. Reported data for vibration level has a typical statistical dispersion (standard deviation) of 1.5 m/s².

TECHNICAL DATA

EC Declaration of Conformity

(Applies to Europe only)

Husqvarna AB, SE-561 82 Huskvarna, Sweden, tel +46-36-146500, declares under sole responsibility that the flat saw **Husqvarna FS 400 LV** from 2016's serial numbers and onwards (the year is clearly stated on the rating plate followed by the serial number), complies with the requirements of the COUNCIL'S DIRECTIVES:

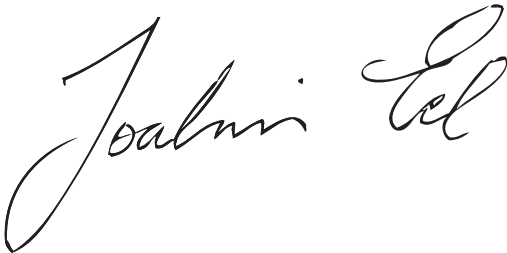
- of May 17, 2006 "relating to machinery" **2006/42/EC**.
- of February 26, 2014 "relating to electromagnetic compatibility" **2014/30/EU**.
- of May 8, 2000 "relating to the noise emissions in the environment" **2000/14/EC**.

The following standards have been applied:

EN ISO 12100:2010, CISPR12:2007+Amd1:2009, EN 55012:2007+A1:2009, EN ISO 14982:2009, EN 13862/A1:2009

SMP Svensk Maskinprovning AB, Box 7035, SE-750 07 Uppsala, Sweden, has performed voluntary type examination in accordance with the machinery directive (2006/42/EC) on behalf of Husqvarna AB. The certificate has the number: SEC/17/2477

Gothenburg, 30 March 2016



Joakim Ed

Global R & D Director

Construction Equipment Husqvarna AB

(Authorized representative for Husqvarna AB and responsible for technical documentation.)

EXPLICATION DES SYMBOLES

Symboles sur la machine:

AVERTISSEMENT! La machine utilisée de manière imprudente ou inadéquate peut devenir un outil dangereux, pouvant causer des blessures graves voire mortelles à l'utilisateur et aux autres personnes présentes.



Lire attentivement et bien assimiler le manuel d'utilisation avant d'utiliser la machine.



Utiliser les équipements de protection personnelle. Voir au chapitre "Équipement de protection personnelle".



Tout déplacement de la machine hors de la zone de coupe doit être effectué lorsque l'outil n'est pas en rotation.



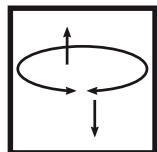
Retirez la lame avant de procéder au levage, au chargement, au déchargement et au transport de la machine.



Flèche sur la protection de l'outil indiquant le sens de rotation de l'outil.



Coupe en plongée, de haut en bas



Les protections doivent toujours être montées sur la machine. Les lames ne doivent pas être exposées plus de 180°.



Vérifier l'équipement de coupe. Ne jamais utiliser un équipement émoussé, fissuré ou endommagé.



Les lames doivent être marquées d'un régime similaire ou supérieur à celui indiqué sur la plaque signalétique de la machine. Un disque découpeur qui tourne à grande vitesse risque de se briser ou d'entraîner des blessures graves.



N'utilisez pas la machine près de gaz ou de substances inflammables.



AVERTISSEMENT! Au cours de la découpe, la poussière générée peut occasionner des blessures si elle est aspirée. Utiliser une protection respiratoire approuvée. Éviter d'inhaler des vapeurs d'essences et des gaz d'échappement. Veiller à disposer d'une bonne ventilation.



Surface chaude.



Risques associés à l'équipement! Gardez toujours toutes les parties du corps éloignées de la lame et de toutes les autres pièces mobiles.



Risque de coupure. Maintenez toutes les parties de votre corps à distance de l'équipement de coupe.



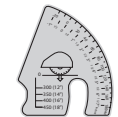
Arrêt de la transmission



Frein de stationnement
Activé / Désactivé



Indicateur de profondeur de coupe



Remplir le réservoir avec de l'eau uniquement



Maintenez la scie de niveau, sans la lame, lorsque vous vérifiez le niveau d'huile.



Pour soulever la machine, toujours utiliser l'œilleton de levage dont elle est munie.



Ce produit est conforme aux directives CE en vigueur. Si ce symbole est indiqué sur la machine.



Émissions sonores dans l'environnement selon la directive de la Communauté européenne. Les émissions de la machine sont indiquées au chapitre Caractéristiques techniques et sur les autocollants.



FS400 LV

Husqvarna
FS 400 LV

EXPLICATION DES SYMBOLES

Plaque
signalétique

A: Marque

B: Fabricant,
adresse

C: Type

D: Date de
fabrication,
année,
semaine Numéro de série

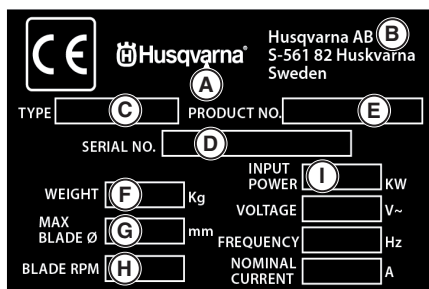
E: Référence de produit

F: Poids

G: Dimension max. de lame, mm

H : Régime, couteau, tr/min

I : Puissance d'entrée max (kW)



Les autres symboles/autocollants présents sur la machine concernent des exigences de certification spécifiques à certains marchés.

Explication des niveaux d'avertissement

Il existe trois niveaux d'avertissement.

AVERTISSEMENT!



AVERTISSEMENT! Symbole utilisé en cas de risque de blessures très graves ou de mort pour l'utilisateur ou de dommages pour les environs si les instructions du manuel ne sont pas suivies.

REMARQUE !



REMARQUE ! Symbole utilisé en cas de risque de blessures pour l'utilisateur ou de dommages pour les environs si les instructions du manuel ne sont pas suivies.

ATTENTION !

ATTENTION ! Symbole utilisé en cas de risque de dommages pour les matériaux ou la machine si les instructions du manuel ne sont pas suivies.

SOMMAIRE

Sommaire

EXPLICATION DES SYMBOLES

Symboles sur la machine:	19
Explication des niveaux d'avertissement	20

SOMMAIRE

Sommaire	21
----------------	----

PRÉSENTATION

Cher client,	22
Fonctions	22

PRÉSENTATION

Quels sont les composants de la machine ?	23
---	----

ÉQUIPEMENT DE SÉCURITÉ DE LA MACHINE

Généralités	24
-------------------	----

MONTAGE ET RÉGLAGES

Généralités	25
Montage de la lame	25
Hauteur de la poignée	25
Indicateur de profondeur de coupe	25
Frein de stationnement	26

LAMES

Généralités	27
Refroidissement par eau	27
Lames diamant pour matériaux divers	27
Contrôle de la lame	27
Transport et rangement	27

MANIPULATION DU CARBURANT

Généralités	28
Carburant	28
Remplissage de carburant	28

COMMANDE

Équipement de protection	29
Instructions générales de sécurité	29
Transport et rangement	30

DÉMARRAGE ET ARRÊT

Avant le démarrage	31
Démarrage	31
Arrêt	31

ENTRETIEN

Généralités	32
Schéma d'entretien	32
Nettoyage	32
Contrôle fonctionnel	33
Graissage	33
Produit usé	34

CARACTÉRISTIQUES TECHNIQUES

Caractéristiques techniques	35
Déclaration CE de conformité	36

PRÉSENTATION

Cher client,

Nous vous remercions d'avoir choisi un produit Husqvarna !

Nous espérons que cette machine vous donnera toute satisfaction et qu'elle vous accompagnera pendant de longues années. L'achat de l'un des nos produits garantit une assistance professionnelle pour l'entretien et les réparations. Si la machine n'a pas été achetée chez l'un de nos revendeurs autorisés, demandez l'adresse de l'atelier d'entretien le plus proche.

Ce mode d'emploi est précieux. Veillez à ce qu'il soit toujours à portée de main sur le lieu de travail. En suivant les instructions qu'il contient (utilisation, révision, entretien etc.), il est possible d'allonger considérablement la durée de vie de la machine et d'augmenter sa valeur sur le marché de l'occasion. En cas de vente de la machine, ne pas oublier de remettre le manuel d'utilisation au nouveau propriétaire.

Plus de 300 ans d'innovation

Husqvarna AB est une entreprise suédoise qui a vu le jour en 1689 lorsque le roi Karl XI décida de construire un arsenal pour la fabrication des mousquets. À l'époque, les compétences en ingénierie à la base du développement de certains des produits leaders du marché mondial dans des domaines tels que les armes de chasse, les vélos, les motocycles, l'électroménager, les machines à coudre et les produits d'extérieur, étaient déjà solides.

Husqvarna est le premier fournisseur mondial de produits motorisés pour utilisation en extérieur dans la foresterie, l'entretien de parcs, de pelouses et de jardins, ainsi que d'équipements de coupe et d'outils diamant destinés aux industries de la construction et de la pierre.

Responsabilité de l'utilisateur

Il est de la responsabilité du propriétaire/de l'employeur de s'assurer que l'utilisateur possède les connaissances nécessaires pour manipuler la machine en toute sécurité. Les responsables et les utilisateurs doivent avoir lu et compris le Manuel d'utilisation. Ils doivent avoir conscience :

- Des instructions de sécurité de la machine.
- Des diverses applications de la machine et de ses limites.
- De la façon dont la machine doit être utilisée et entretenue.

La législation nationale peut réglementer l'utilisation de cette machine. Recherchez la législation applicable dans le lieu où vous travaillez avant d'utiliser la machine.

Droit de réserve du fabricant

Toutes les informations et toutes les données indiquées dans ce manuel d'utilisation étaient valables à la date à laquelle ce manuel a été porté à l'impression.

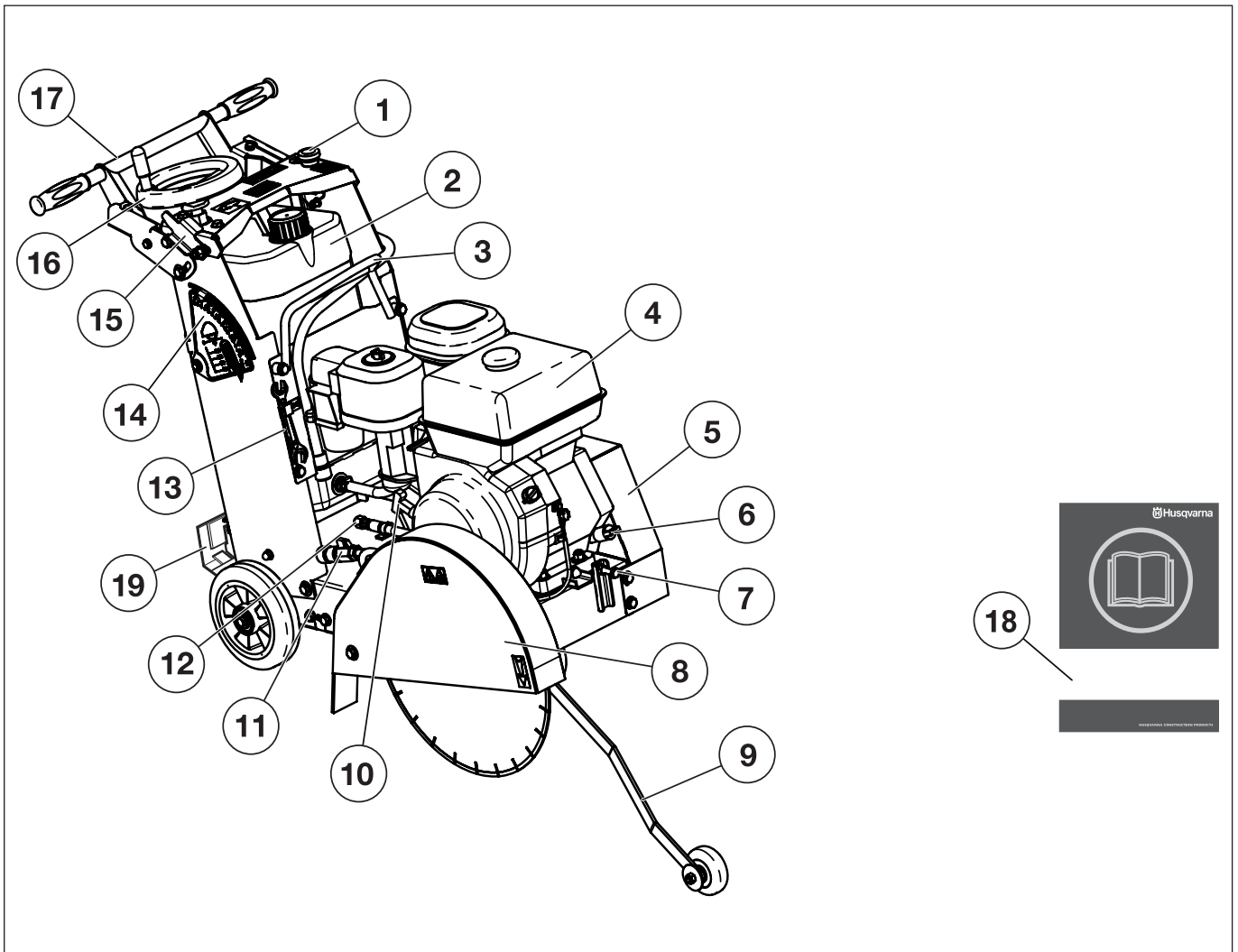
Husqvarna AB travaille continuellement au développement de ses produits et se réserve le droit d'en modifier, entre autres, la conception et l'aspect sans préavis.

Fonctions

Les produits Husqvarna se distinguent par des valeurs telles que la haute performance, la fiabilité, la technologie innovante, les solutions techniques de pointe et les considérations environnementales.

Certaines des caractéristiques uniques de votre produit sont décrites ci-dessous.

PRÉSENTATION



Quels sont les composants de la machine ?

- | | |
|---|--|
| 1 Arrêt de la machine | 11 Robinet d'eau |
| 2 Réservoir d'eau | 12 Vidange, huile moteur |
| 3 Œillet de levage | 13 Clé d'entretien |
| 4 Réservoir d'essence | 14 Indicateur de profondeur de coupe |
| 5 Couvercle de protection - courroie d'entraînement | 15 Levier de verrouillage, profondeur de coupe |
| 6 Remplissage d'huile | 16 Roue d'alimentation, profondeur de coupe |
| 7 Vis de tension, courroie d'entraînement | 17 Poignée |
| 8 Protège-lame | 18 Manuel d'utilisation |
| 9 Guide avant | 19 Frein de stationnement |
| 10 Poignée de lanceur | |

ÉQUIPEMENT DE SÉCURITÉ DE LA MACHINE

Généralités



AVERTISSEMENT! Ne jamais utiliser une machine dont les équipements de sécurité sont défectueux. Si les contrôles ne donnent pas de résultat positif, confier la machine à un atelier spécialisé.

Le moteur doit être éteint et le bouton d'arrêt en position STOP.

Ce chapitre présente les équipements de sécurité de la machine, leur fonction, comment les utiliser et les maintenir en bon état.

Arrêt de la machine

Le bouton d'arrêt de la machine est utilisé pour couper le moteur et toutes les fonctions électriques sauf les témoins.

Vérification de la fonction d'arrêt de la machine à l'aide du bouton

- Appuyez sur le bouton d'arrêt de la machine et vérifiez que le moteur s'arrête.
- Désengagez le bouton d'arrêt de la machine (tournez dans le sens des aiguilles d'une montre).

Protège-lame



AVERTISSEMENT! Toujours contrôler que le protège-lame est monté correctement avant de démarrer la machine.

Le protège-lame a pour fonction d'empêcher que des éclats du disque ou du matériau découpé ne soient projetés en direction de l'utilisateur.

Contrôle du protège-lame

Contrôler le protège-lame afin de détecter d'éventuels dommages ou fissures. Remplacer le protège-lame s'il a subi des dommages ou s'il présente des fissures.

Toujours contrôler que la protection est montée correctement avant de démarrer la machine. Contrôler aussi que la lame est correctement montée et n'est pas abîmée. Une lame abîmée peut engendrer des blessures.

Silencieux



AVERTISSEMENT! N'utilisez jamais une machine sans silencieux ou avec un silencieux défectueux. Si le silencieux est défectueux, le niveau sonore et le risque d'incendie augmentent considérablement. Veillez à disposer des outils nécessaires à l'extinction d'un feu.

Un silencieux devient très chaud en cours d'utilisation et le reste après l'arrêt. Cela est également vrai pour le régime au ralenti. Soyez très attentif aux risques d'incendie, surtout quand vous manipulez des gaz et/ou des substances inflammables.

Le silencieux est conçu pour réduire au maximum le niveau sonore et détourner les gaz d'échappement loin de l'utilisateur.

Contrôle du silencieux

Contrôler régulièrement que le silencieux est entier et qu'il est attaché correctement.

MONTAGE ET RÉGLAGES

Généralités

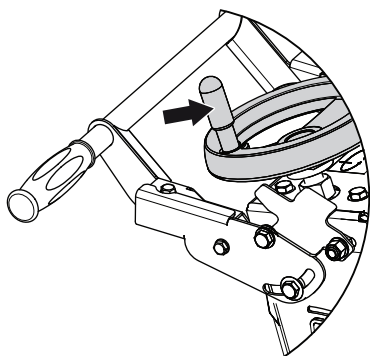


AVERTISSEMENT! Tout contrôle et/ou entretien doit être effectué avec le moteur à l'arrêt.

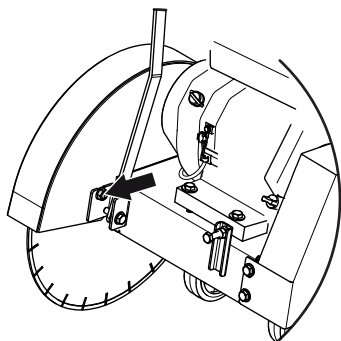
Vérifier que la lame et le protège-lame sont montés correctement avant de démarrer la machine.

Montage de la lame

- Remonter la roue d'alimentation de profondeur de coupe.



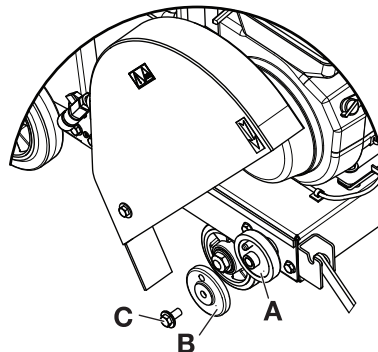
- Fermer le robinet d'eau. Débranchez le flexible d'eau du protège-lame.
- Desserrez l'écrou avant et inclinez le protège-lame en position d'entretien.



AVERTISSEMENT! Vérifier que la lame, la bride de lame et l'axe de la lame ne sont pas endommagés. Nettoyer les surfaces de contact de la lame et de la bride de lame. Assurez-vous que la lame et les flasques sont propres et qu'ils sont exempts de saletés et de débris avant l'installation de la lame sur la machine.

- Contrôlez le sens de rotation de la lame. La flèche présente sur la lame indique le sens de rotation.

- Poser la lame sur l'axe de lame (A). Poser la bride de lame (B) sur la lame. Assurez-vous que la goupille de blocage de la bride (A) passe à travers la lame et dans la bride (B). Serrer la vis (C) correctement à l'aide de la clé fournie.

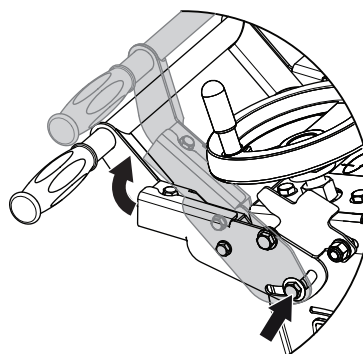


- Reposez le protège-lame et le tuyau d'eau dans l'ordre inverse de la dépose.

Hauteur de la poignée

La hauteur du levier peut être ajustée.

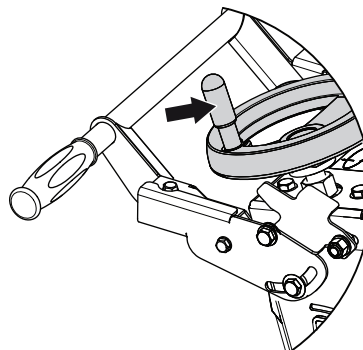
- Dévissez la vis. Placer la poignée à la hauteur de travail la plus confortable. Serrer la vis.



Indicateur de profondeur de coupe

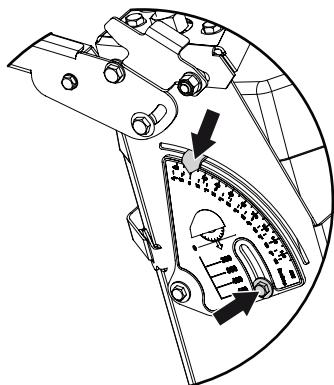
L'indicateur doit être étalonné avant utilisation.

- Abaisser la lame de façon à ce qu'elle touche à peine le sol.



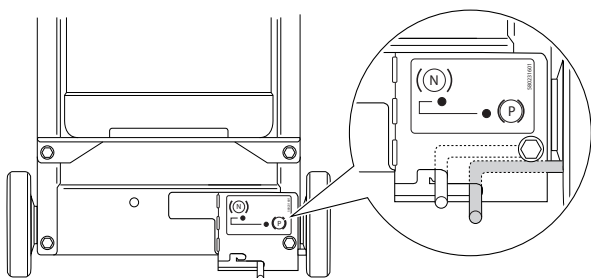
MONTAGE ET RÉGLAGES

- Dévissez la vis. Placer la flèche de l'indicateur sur « 0 ». Serrer la vis.



Frein de stationnement

Mettre en place le frein de stationnement.



Généralités

- Les disques diamant se composent d'une structure en acier et de segments contenant des diamants industriels.
- Toujours utiliser une lame diamant acérée.
- Les lames doivent être marquées d'un régime similaire ou supérieur à celui indiqué sur la plaque signalétique de la machine.
- Ne jamais utiliser des lames autres que les lames d'origine destinées à la machine.

Refroidissement par eau

Toujours utiliser le refroidissement par eau. Ceci permet de refroidir les lames, d'augmenter leur durée de vie et de réduire la formation de poussière.

Lames diamant pour matériaux divers



Husqvarna propose une large gamme de lames de découpe à l'eau pour la découpe des planchers et des murs, dont des lames destinées à tous les matériaux, allant du béton frais au béton renforcé, dans différentes classes de dureté, ainsi qu'une gamme complète de lames pour asphalte. Demander à votre revendeur Husqvarna quelle est la lame la plus appropriée pour votre utilisation.

Contrôle de la lame

- Vérifiez la lame et le protège-lame afin de détecter d'éventuels dommages ou fissures. Remplacez la lame ou le protège-lame s'ils ont subi des coups ou s'ils présentent des fissures. N'utilisez jamais une lame endommagée ou usée.
- Contrôler que la quantité correcte d'eau atteint la lame.

Transport et rangement

- Inspecter les nouvelles lames pour détecter tout dommage dû au transport ou à l'entreposage.
- La lame doit être retirée de la machine après utilisation et être rangée dans un endroit sûr. Conserver la lame dans un endroit sec.

MANIPULATION DU CARBURANT

Généralités



AVERTISSEMENT! Faire tourner un moteur dans un local fermé ou mal aéré peut causer la mort par asphyxie ou empoisonnement au monoxyde de carbone.

Le carburant et les vapeurs de carburant sont très inflammables et peuvent causer des blessures graves en cas d'inhalation ou de contact avec la peau. Il convient donc d'observer la plus grande prudence lors de la manipulation du carburant et de veiller à disposer d'une bonne aération.

Les gaz d'échappement du moteur sont très chauds et peuvent contenir des étincelles pouvant provoquer un incendie. Par conséquent, ne jamais démarrer la machine dans un local clos ou à proximité de matériaux inflammables!

Ne fumez jamais ni ne placez d'objet chaud à proximité du carburant.

Carburant

ATTENTION! La machine est équipée d'un moteur à quatre temps. Veiller à ce que le moteur contienne toujours suffisamment d'huile.

Essence

- Utiliser une essence de qualité, avec ou sans plomb.
- Le taux d'octane minimum recommandé est de 90 (RON). Si l'on fait tourner le moteur avec une essence d'un taux d'octane inférieur à 90, un cognement risque de se produire, résultant en une augmentation de la température du moteur pouvant causer de graves avaries du moteur.

Huile moteur

- Contrôler le niveau d'huile avec de démarrer la machine. Un niveau d'huile trop bas risque d'endommager gravement le moteur. Voir les instructions au chapitre « Entretien ».
- Ne jamais utiliser d'huile pour moteurs à deux temps.

Remplissage de carburant



AVERTISSEMENT! Arrêter le moteur et le laisser refroidir pendant quelques minutes avant de faire le plein.

Ouvrir le bouchon du réservoir lentement pour laisser baisser la surpression pouvant régner dans le réservoir.

Nettoyez le pourtour du bouchon de réservoir.

Serrer soigneusement le bouchon du réservoir après le remplissage.

Avant de mettre la machine en marche, la déplacer à au moins 3 mètres de l'endroit où a été fait le plein.

Ne jamais démarrer la machine:

- Si du carburant ou de l'huile moteur ont été répandus sur la machine. Essuyer soigneusement toutes les éclaboussures et laisser les restes d'essence s'évaporer.
- Si vous avez renversé du carburant sur vous ou sur vos vêtements, changez de vêtements. Lavez les parties du corps qui ont été en contact avec le carburant. Utilisez de l'eau et du savon.
- S'il y a fuite de carburant. Vérifier régulièrement que le bouchon du réservoir et la conduite de carburant ne fuient pas.

Transport et rangement

- Transporter et ranger la machine et le carburant de façon à éviter que toute fuite ou émanation éventuelle entre en contact avec une flamme vive ou une étincelle: machine électrique, moteur électrique, contact/interrupteur électrique ou chaudière.
- Lors du stockage et du transport de carburant, toujours utiliser un récipient homologué et conçu à cet effet.

Remisage prolongé

- Lors des remisages de la machine, vider le réservoir de carburant. S'informer auprès d'une station-service comment se débarrasser du carburant résiduel.

COMMANDE

Équipement de protection

Généralités

- Ne jamais utiliser une machine s'il n'est pas possible d'appeler au secours en cas d'accident.

Équipement de protection personnelle

Un équipement de protection personnelle homologué doit impérativement être utilisé lors de tout travail avec la machine. L'équipement de protection personnelle n'élimine pas les risques mais réduit la gravité des blessures en cas d'accident. Demander conseil au concessionnaire afin de choisir un équipement adéquat.



AVERTISSEMENT! L'utilisation de produits tels que des ciseaux, des disques, des forets, des disques fins ou des formes peut générer de la poussière et des vapeurs pouvant contenir des substances chimiques toxiques. Vérifiez la composition du matériel avec lequel vous travaillez et portez un masque respiratoire adapté.

Une exposition prolongée au bruit risque de causer des lésions auditives permanentes. Toujours utiliser des protecteurs d'oreille agréés. Soyez toujours attentifs aux signaux d'alerte ou aux appels en portant des protège-oreilles. Enlevez-les sitôt le moteur arrêté.

Toujours utiliser:

- Casque de protection homologué.
- Protecteurs d'oreilles homologués.
- Lunettes protectrices ou visière.
- Masque respiratoire.
- Vêtements confortables, robustes et serrés qui permettent une liberté totale de mouvement.
- Bottes avec coquille en acier et semelle antidérapante.

Autre équipement de protection

IMPORTANT! Lorsque vous travaillez avec la machine, des étincelles peuvent se former et mettre le feu. Gardez toujours à portée de main les outils nécessaires à l'extinction d'un feu.

- Extincteur.
- Une trousse de premiers secours doit toujours être disponible.

Instructions générales de sécurité

Le présent chapitre décrit les consignes de sécurité de base relatives à l'utilisation de la machine. Aucune de ces informations ne peut remplacer l'expérience et le savoir-faire d'un professionnel.

- Lire attentivement et bien assimiler le manuel d'utilisation avant d'utiliser la machine.

- N'oubliez pas que l'opérateur est responsable des accidents ou dangers aux tiers et à leurs biens.
- La machine doit rester propre. Les signes et autocollants doivent être parfaitement lisibles.

Utilisez toujours votre bon sens

Il est impossible de mentionner toutes les situations auxquelles vous pouvez être confronté. Soyez toujours vigilant et utilisez l'appareil avec bon sens. Si vous êtes confronté à une situation où vous pensez ne pas être en sécurité, arrêtez immédiatement et consultez un spécialiste. Veuillez contacter votre revendeur, votre atelier de réparation ou un utilisateur expérimenté. Il convient d'éviter tous les travaux pour lesquels vous ne vous sentez pas suffisamment qualifié !



AVERTISSEMENT! La machine utilisée de manière imprudente ou inadéquate peut devenir un outil dangereux, pouvant causer des blessures graves voire mortelles à l'utilisateur et aux autres personnes présentes.

Ne jamais permettre à des enfants ou à des personnes ne possédant pas la formation nécessaire d'utiliser ou d'entretenir la machine.

Ne jamais laisser d'autres personnes utiliser la machine sans s'être assuré au préalable que ces personnes ont bien compris le contenu du mode d'emploi.

N'utilisez jamais la machine si vous êtes fatigué, avez bu de l'alcool ou pris des médicaments susceptibles d'affecter votre vue, votre jugement ou la maîtrise de votre corps.



AVERTISSEMENT! Toute modification non autorisée et/ou tout emploi d'accessoires non homologués peuvent provoquer des accidents graves voire mortels pour l'utilisateur et les autres. Ne jamais modifier sous aucun prétexte la machine sans l'autorisation du fabricant.

Ne modifiez jamais cette machine de façon à ce qu'elle ne soit plus conforme au modèle d'origine et n'utilisez jamais une machine qui semble avoir été modifiée.

Ne jamais utiliser une machine qui n'est pas en parfait état de marche. Appliquer les instructions de maintenance et d'entretien ainsi que les contrôles de sécurité indiqués dans ce manuel d'utilisation. Certaines mesures de maintenance et d'entretien doivent être confiées à un spécialiste dûment formé et qualifié. Voir les instructions à la section Maintenance.

N'utiliser que des accessoires et des pièces d'origine.

COMMANDE



AVERTISSEMENT! Cette machine génère un champ électromagnétique en fonctionnement. Ce champ peut dans certaines circonstances perturber le fonctionnement d'implants médicaux actifs ou passifs. Pour réduire le risque de blessures graves ou mortelles, les personnes portant des implants médicaux doivent consulter leur médecin et le fabricant de leur implant avant d'utiliser cette machine.

Sécurité dans l'espace de travail

- Observez la zone environnante et assurez-vous qu'aucun facteur ne risque d'affecter votre contrôle de la machine.
- Assurez-vous que personne/rien ne peut se trouver en contact avec l'équipement de coupe ou être touché par des pièces projetées par la lame.
- Ne pas travailler par mauvais temps: brouillard épais, pluie diluvienne, vent violent, grand froid, etc. Travailler par mauvais temps est fatiguant et peut créer des conditions de travail dangereuses telles que le verglas.
- Ne jamais commencer à travailler avec la machine sans avoir le champ libre et les pieds bien d'aplomb. Identifier les obstacles éventuels dans le cas de déplacement inattendu. S'assurer qu'aucun matériau ne risque de tomber et de provoquer des blessures ou des dommages lors de travail avec la machine. Redoubler de prudence en cas de travail dans un terrain en pente.
- S'assurer que l'éclairage de la zone de travail est suffisant pour que l'environnement de travail soit de toute sécurité.
- Assurez-vous qu'aucun tuyau ou câble électrique ne passe par la zone de travail ou dans le matériau à découper.
- Contrôlez que les câbles électriques présents dans la zone de travail ne sont pas sous tension.

Techniques de travail de base



AVERTISSEMENT! La lame tourne lorsque le moteur démarre ou a démarré.

- Cette machine est conçue pour la découpe du béton frais et renforcé dans différentes classes de dureté, et de l'asphalte. Toute autre utilisation est considérée comme contraire à l'utilisation prévue.
- Sciez toujours dans une position qui facilite l'accès au bouton d'arrêt de la machine.
- Vérifiez qu'aucun outil ou autre objet n'a été posé sur la machine.
- Ne laissez jamais la machine sans surveillance avec le moteur en marche.
- Toujours contrôler que le protège-lame est monté correctement avant de démarrer la machine. Ne procédez jamais à une découpe sans utiliser le protège-lame.

- Avant le sciage, toutes les entailles doivent être marquées clairement et planifiées de manière à pouvoir être effectuées sans danger pour les personnes ou la machine.
- Ne pas tourner, faire pivoter ou déplacer la machine sur le côté lorsque la lame tourne.
- Calez ou attachez solidement les blocs de béton avant de procéder à la découpe. Le poids élevé du matériau scié peut causer des dommages importants sur la machine ainsi que de graves blessures corporelles s'il ne peut être déplacé de façon maîtrisée.
- Lors de l'utilisation des machines, prévoyez toujours une personne à proximité afin de pouvoir obtenir de l'aide en cas d'accident.

Transport et rangement

- La machine est équipée de roues de transport et peut être facilement transportée sans que le moteur tourne. S'assurer que la lame est en position supérieure avant de déplacer la machine.
- Démontez la lame avant de transporter ou de remiser la machine.
- Faites preuve de prudence en cas de levage. Le maniement de pièces lourdes implique un risque de coincage ou autre blessure.
- Pour soulever la machine, toujours utiliser l'œilleton de levage dont elle est munie.
- Sécurisez l'équipement lors du transport afin d'éviter tout dommage ou accident.
- Pour le transport et le remisage du carburant, voir la rubrique « Manipulation du carburant ».
- Pour le transport et le rangement des lames, voir la rubrique « Lames ».
- Stockez l'équipement dans un endroit verrouillé afin de le maintenir hors de portée des enfants et de toute personne incompétente.
- S'il y a un risque de gel, la machine doit être vidangée de toute eau restante.

DÉMARRAGE ET ARRÊT

Avant le démarrage

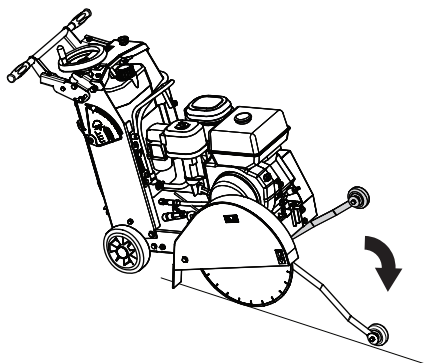


AVERTISSEMENT! Lire attentivement et bien assimiler le manuel d'utilisation avant d'utiliser la machine.

Utiliser les équipements de protection personnelle. Voir au chapitre "Équipement de protection personnelle".

Veiller à ce qu'aucune personne non autorisée ne se trouve dans la zone de travail pour éviter le risque de blessures graves.

- Effectuez un entretien quotidien. Voir les instructions au chapitre « Entretien ».
- Remplir le réservoir d'eau ou raccorder la machine à une alimentation en eau.
- Marquer les coupures à réaliser.
- Vérifiez que le pointeur avant est bien aligné avec la lame.
- Placez une règle le long de la bride intérieure. Alignez le pointeur avant avec la règle. Si nécessaire, réglez le pointeur avant en desserrant les écrous maintenant la roue de guidage en place. Alignez la roue de guidage avec la règle et resserrez les écrous.
- Abaisser le guide avant et aligner la machine avec le marquage.



Démarrage

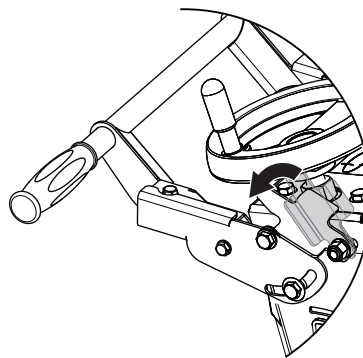
Démarrer le moteur

- Lisez le manuel d'utilisation fourni par le fabricant du moteur.

Commencer la découpe

- Ouvrir le robinet d'eau.
- Vérifiez que le tuyau d'eau dans le protège-lame est ouvert et que chaque côté de la lame est suffisamment approvisionné en eau.
- Testez la pression et la quantité (débit) d'eau avant de démarrer la scie.
- Faire tourner le moteur à plein régime.

- Abaisser la commande de verrouillage de la roue de réglage de la profondeur de coupe.



- Ne sciez pas plus que la profondeur requise. Un sciage plus profond que nécessaire engendrerait une usure excessive de la lame et de la machine.
- Effectuez une découpe de guidage d'environ 20-30 mm (1 pouce) de profondeur.
- Découpez par incréments de 50 mm (2 pouces) de profondeur jusqu'à atteindre la profondeur de coupe spécifiée. C'est ce que l'on appelle la « découpe par étapes ».
- Relever la commande de verrouillage de la roue de réglage de la profondeur de coupe.
- Sciez toujours en ligne droite. Tracez clairement la ligne de découpe afin que l'opérateur puisse la suivre sans difficulté.
- Pousser lentement la machine vers l'avant. S'assurer que le guide avant et la lame ne dévient pas du marquage.

ATTENTION ! La scie ne doit PAS être déplacée d'un côté à l'autre pour forcer la lame à revenir en ligne droite.

Arrêt

Arrêter la coupe.

- Abaisser la commande de verrouillage de la roue de réglage de la profondeur de coupe. Retirer la lame de la rainure.
- Relever la commande de verrouillage de la roue de réglage de la profondeur de coupe.
- Fermer le robinet d'eau.

Arrêt du moteur

- Lisez le manuel d'utilisation fourni par le fabricant du moteur.
- Appuyez sur le bouton d'arrêt de la machine et vérifiez que le moteur s'arrête.

Généralités



AVERTISSEMENT! L'utilisateur ne peut effectuer que les travaux d'entretien et de révision décrits dans ce manuel d'utilisation. Les mesures plus importantes doivent être effectuées dans un atelier d'entretien agréé.

Tout contrôle et/ou entretien doit être effectué avec le moteur à l'arrêt.

Utiliser les équipements de protection personnelle. Voir au chapitre "Équipement de protection personnelle".

La durée de vie de la machine risque d'être écourtée et le risque d'accidents accru si la maintenance de la machine n'est pas effectuée correctement et si les mesures d'entretien et/ou de réparation ne sont pas effectuées de manière professionnelle. Pour obtenir de plus amples informations, contacter l'atelier de réparation le plus proche.

- Faites régulièrement contrôler la machine par votre revendeur Husqvarna afin qu'il procède aux installations et réparations adéquates.

Schéma d'entretien

Le calendrier de maintenance vous indique quelles pièces de la machine nécessitent un entretien et à quelle fréquence cet entretien doit avoir lieu. La fréquence est calculée en fonction de l'utilisation quotidienne de la machine, et peut varier en fonction du degré d'utilisation.

Entretien quotidien
Nettoyage
Nettoyage extérieur
Filtre à air
Coupelle à sédiments
Contrôle fonctionnel
Inspection générale
Huile moteur
Courroie d'entraînement
Arrêt de la machine*
Protège-lame*
Silencieux*
Lame**
Graissage
Axe de lame, quotidiennement
Graisser du système de réglage de la profondeur, tous les jours

*Voir instructions à la rubrique « Équipement de sécurité de la machine ».

** Voir instructions aux rubriques « Lames » et « Montage et réglages ».

Nettoyage

Nettoyage extérieur

- Vérifiez que tous les couplages, raccordements et câbles sont intacts et qu'ils sont propres.
- La lame est refroidie par de l'eau pulvérisée via de petits orifices situés sur le protège-lame. S'assurer que ces orifices ne sont pas bloqués, afin d'assurer le refroidissement correct de la lame.

Filtre à air

Pour le nettoyage et le remplacement du filtre à air, lire le manuel d'utilisation fourni par le fabricant du moteur.

- Le filtre à air peut nécessiter 2 à 3 nettoyages par jour dans les environnements très poussiéreux.
- Tout filtre endommagé doit être remplacé immédiatement.



REMARQUE! Le filtre ne doit pas être nettoyé avec de l'air comprimé, cela risquerait d'endommager le filtre. Les filtres peuvent être aspirés à condition qu'aucun élément n'entre en contact avec leur surface pour éviter tout endommagement.

Les filtres en papier doivent être correctement mis au rebut et remplacés.

Un filtre en polyester peut être aspiré ou nettoyé à basse pression.

N'effectuez pas de nettoyage à haute pression pour éviter tout endommagement du filtre.

Tout filtre endommagé doit être remplacé immédiatement.

Le filtre nettoyé doit être parfaitement sec avant d'être reposé dans l'équipement.

Bougie

- Si la puissance de la machine est faible, si la machine est difficile à mettre en marche ou si le ralenti est irrégulier, toujours commencer par contrôler l'état de la bougie avant de prendre d'autres mesures.
- Vérifier que le chapeau de bougie et le câble d'allumage ne sont pas endommagés afin d'éviter tout risque de choc électrique.
- Si la bougie est encrassée, la nettoyer et vérifier l'écartement des électrodes par la même occasion. Remplacez-les si nécessaire. Consulter le manuel d'utilisation fourni pour le moteur.

REMARQUE! Toujours utiliser le type de bougie recommandé! Une bougie incorrecte peut endommager le piston/le cylindre.

Ces facteurs peuvent concourir à l'apparition de calamine sur les électrodes, ce qui à son tour entraîne un mauvais fonctionnement du moteur et des démarrages difficiles.

- Mauvais mélange de l'huile dans le carburant (trop d'huile ou huile inappropriée).
- La propreté du filtre à air.

Contrôle fonctionnel

Inspection générale

- Assurez-vous que toutes les vis et tous les écrous sont serrés.

Huile moteur

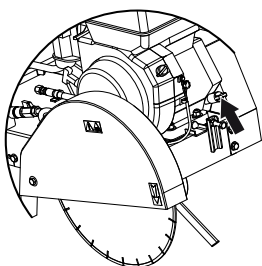


REMARQUE ! L'huile peut être dangereuse pour la santé et pour l'environnement. Respecter la réglementation locale en termes de mise au rebut et de recyclage.

Pour le remplacement de l'huile moteur, lire le manuel d'utilisation fourni par le fabricant du moteur.

Contrôle du niveau d'huile du moteur

- Le moteur doit être placé à l'horizontale lors du contrôle du niveau d'huile. Démontez la lame ou prenez les mesures appropriées pour incliner la machine afin que le moteur soit placé à l'horizontale.
- Contrôlez le niveau d'huile et remplissez si nécessaire. Le niveau d'huile ne doit jamais être en dessous du repère inférieur sur la jauge, voir le manuel du moteur.



- Pour un fonctionnement et des résultats optimaux, utiliser l'huile moteur HUSQVARNA.
- Si de l'huile moteur HUSQVARNA n'est pas disponible, utiliser une autre huile moteur de haute qualité. Utilisez de l'huile moteur de qualité SAE 10W-30, classe API, MS, SD, SE ou supérieure.
- Ne jamais utiliser d'huile pour moteurs à deux temps.

Courroie d'entraînement

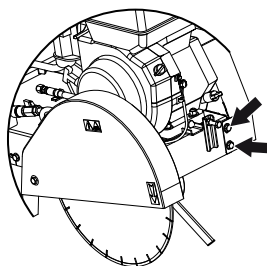
ATTENTION ! Ne pas tendre excessivement la courroie d'entraînement.

- Contrôlez que la courroie d'entraînement est intacte et ne présente pas de défauts.

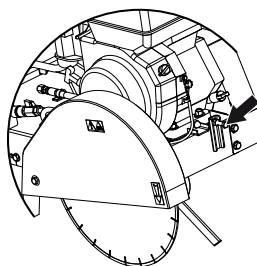
Tension de la courroie d'entraînement

Une courroie d'entraînement neuve doit être tendue une fois après un ou deux pleins de carburant.

- Desserrez les vis du carter de courroie. Déposer le capot.



- Desserrer les vis maintenant le moteur en place.
- Serrer la vis de tension d'un quart de tour. Le moteur est repoussé vers l'arrière et la courroie est tendue.



- S'assurer que les poulies de courroie sont parallèles et alignées l'une par rapport à l'autre. Serrer les vis maintenant le moteur, puis desserrer la vis de tension de deux tours afin d'éviter qu'elle entre en contact avec le bloc-moteur. Remettre le carter de la courroie en place et serrer les vis maintenant le carter de la courroie.

Système de carburant

Généralités

- Contrôlez que le bouchon du réservoir et son joint sont intacts.
- Vérifier le tuyau à carburant. Le remplacer si nécessaire.

Graissage

Axe de lame

- Graissez l'axe de lame, quotidiennement. Branchez le pistolet à graisse et pompez 3 à 5 coups ou jusqu'à ce que de la graisse soit visible sur les bords. Utilisez uniquement la classification de graisse DIN 51825 K2K-30 ou K3K-30.

Graisseur du système de réglage de la profondeur

Lubrifier quotidiennement les raccords de graissage de réglage de la profondeur de coupe.

Écrou d'alimentation de la profondeur de coupe

Graisser la vis d'alimentation environ 2 cm au-dessus et en dessous de l'écrou et régler la scie vers le haut et vers le bas pour répartir la graisse.

Produit utilisé

Cette machine remplit les conditions nécessaires pour atteindre une longue durée de vie. Ceci minimise l'impact de la machine sur l'environnement. Effectuez les réparations et l'entretien conformément aux instructions de ce manuel. Ainsi, le moteur fonctionnera plus longtemps et les émissions dangereuses seront réduites au minimum.

Lorsque la machine est hors d'usage, elle doit être mise au rebut de façon à être recyclée ou détruite. Respecter la réglementation locale en termes de mise au rebut et de recyclage.

Matériaux principaux

Moteur

Aluminium (AL), acier (AC), cuivre (CU), polyamide (PA).

Machine

Acier (AC), fonte (FT), aluminium (AL).

CARACTÉRISTIQUES TECHNIQUES

Caractéristiques techniques

FS 400 LV

	450/18	500/20
Dimension max. de lame, mm/pouces	450/18	500/20
Profondeur max. de la scie, mm/pouces	162/6.5	187/7.5
Vitesse de rotation de la tige (au régime du moteur 3 700 tr/min), tr/min	3000	
Taille de l'arbre, mm/pouce	25.4/1	
Diamètre de bride de disque, mm/po	89/3.5	
Huile moteur	SAE 10W-30, classe API, MS, SD, SE ou supérieure.	
Poids		
Machine avec réservoirs vides, en kg/lb	104/229	107/236
Poids, kg/lb	135/298	145/320
Dimensions (L x l x H), mm/pouces	1090x615x990/ 42.9x24.2x39.0	1120x615x990/ 44.1x24.2x39.0

Émissions sonores (voir remarque 1)	
Niveau de puissance sonore mesuré dB(A)	109
Niveau de puissance sonore garanti L_{WA} dB(A)	112
Niveaux sonores (voir remarque 2)	
Niveau de pression acoustique au niveau des oreilles de l'utilisateur, dB(A)	90
Niveaux de vibrations, a_{hv} (voir remarque 3)	
Poignée droite, m/s^2	2.5
Poignée gauche, m/s^2	3.2

Remarque 1: Émission sonore dans l'environnement mesurée comme puissance acoustique (L_{WA}) selon la directive UE 2000/14/CE.

Remarque 2: Niveau de pression sonore conformément à EN 13862. Les données reportées pour le niveau de pression sonore montrent une dispersion statistique typique (déviations standard) de 4,0 dB (A).

Remarque 3: Niveau de vibrations conformément à EN 13862. Les données reportées pour le niveau de vibrations montrent une dispersion statistique typique (déviations standard) de 1,5 m/s^2 .

CARACTÉRISTIQUES TECHNIQUES

Déclaration CE de conformité

(Concerne seulement l'Europe)

Husqvarna AB, SE-561 82 Huskvarna, Suède, tél. +46-36-146500, déclarons, sous notre seule responsabilité, que la scie de sol **Husqvarna FS 400 LV**, à partir des numéros de série de l'année de fabrication 2016 (l'année est clairement indiquée sur la plaque signalétique et suivie d'un numéro de série), est conforme aux dispositions des DIRECTIVES DU CONSEIL DE L'UNION EUROPÉENNE :

- du 17 mai 2006 "directive machines" **2006/42/CE**.
- du 26 février 2014 "compatibilité électromagnétique" **2014/30/UE**.
- du 8 mai 2000 "émissions sonores dans l'environnement" **2000/14/CE**.

Les normes harmonisées suivantes ont été appliquées:

EN ISO 12100:2010, CISPR12:2007+Amd1:2009, EN 55012:2007+A1:2009, EN ISO 14982:2009, EN 13862/A1:2009

SMP Svensk Maskinprovning AB, Box 7035, SE-750 07 Uppsala, Suède, a procédé à des examens de type volontaire conformément à la directive machines (2006/42/CE), pour le compte de Husqvarna AB. Le certificat a le numéro: SEC/17/2477

Göteborg, 30 mars 2016



Joakim Ed

Directeur général R&D

Construction Equipment Husqvarna AB

(Représentant autorisé d'Husqvarna AB et responsable de la documentation technique.)

SYMBOLERKLÄRUNG

Symbole am Gerät:

WARNUNG! Das Gerät kann falsch oder nachlässig angewendet gefährlich sein und zu schweren oder gar lebensgefährlichen Verletzungen des Benutzers oder anderer Personen führen.



Lesen Sie die Bedienungsanweisung sorgfältig durch und machen Sie sich mit dem Inhalt vertraut, bevor Sie das Gerät benutzen.



Tragen Sie persönliche Schutzausrüstung. Siehe die Anweisungen unter der Überschrift "Persönliche Schutzausrüstung".



Jegliche Umstellung der Maschine außerhalb des Schneidbereichs muss ausgeführt werden, wenn sich das Werkzeug nicht in Rotation befindet.



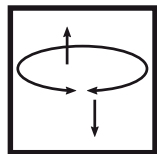
Entfernen Sie die Klinge vor dem Anheben, Be- und Entladen sowie Transportieren der Maschine.



Der Pfeil auf dem Werkzeugschutz gibt die Rotationsrichtung des Werkzeugs an.



Nach oben und unten schneiden mit der Tauchsäge



Die Schutzvorrichtungen müssen stets an der Maschine angebracht sein. Die Exposition der Klinge darf 180° niemals überschreiten.



Die Schneidausrüstung kontrollieren. Niemals eine stumpfe, rissige oder beschädigte Ausrüstung benutzen.



Die Klingen müssen dieselbe oder eine höhere Drehzahl als auf dem Kennschild der Maschine aufweisen. Eine Trennscheibe mit zu hoher Geschwindigkeit kann brechen oder schwere Schäden verursachen.



Verwenden Sie das Gerät nicht in der Nähe von brennbaren Materialien oder Gasen.



WARNUNG! Beim Schneiden bildet sich Staub, der beim Einatmen Gesundheitsschäden hervorrufen kann. Einen zugelassenen Atemschutz tragen. Das Einatmen von Benzindämpfen und Abgasen vermeiden. Für gute Belüftung sorgen.



Heiße Oberfläche.



Maschinengefahr! Halten Sie Hände und Füße von der Klinge und allen anderen beweglichen Teilen entfernt.



Schnittgefahr. Alle Körperteile von Schneidausrüstung fernhalten.



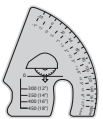
Getriebebestopp



Feststellbremse Aktiviert / deaktiviert



Anzeige Schnitttiefe



Füllen Sie den Tank nur mit Wasser



Belassen Sie die Säge horizontal und ohne Klinge, wenn Sie den Ölstand prüfen.



Verwenden Sie zum Anheben des Geräts immer die dafür vorgesehene Hebeöse.



Dieses Produkt stimmt mit den geltenden CE-Richtlinien überein. Falls auf der Maschine gekennzeichnet.



Umweltbelastende Geräuschemissionen gemäß der Richtlinie der Europäischen Gemeinschaft. Die Emission des Gerätes ist im Kapitel Technische Daten und auf dem Geräteschild angegeben.



FS400 LV

Husqvarna
FS 400 LV

SYMBOLERKLÄRUNG

Typenschild

A: Fabrikat

B: Hersteller,
Adresse

C: Typ

D:
Herstellungsda-
tum, Jahr,
Woche
Seriennummer

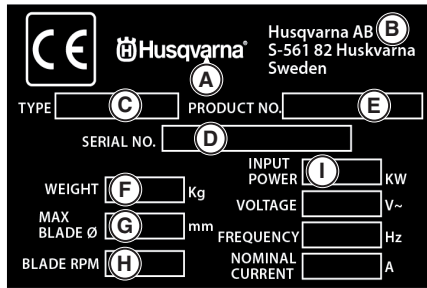
E: Produktnummer

F: Gewicht

G: Trennscheibengröße - max, mm

H: Drehzahl, Messer, U/min

I: Leistungsaufnahme max. (kW)



Sonstige Symbole/Aufkleber am Gerät beziehen sich auf spezielle Zertifizierungsanforderungen, die in bestimmten Ländern gelten.

Erläuterung der Warnstufen

Es bestehen drei unterschiedliche Warnstufen.

WARNUNG!



WARNUNG! Nichtbeachtung der Anweisungen in diesem Handbuch kann zu Verletzungen bzw. zum Tod des Bedieners oder zu Beschädigungen in der Umgebung führen.

ACHTUNG!



ACHTUNG! Nichtbeachtung der Anweisungen in diesem Handbuch kann zur Verletzung des Bedieners bzw. zu Beschädigungen in der Umgebung führen.

HINWEIS!

HINWEIS! Nichtbeachtung der Anweisungen in diesem Handbuch kann zu Beschädigungen der Umgebung bzw. der Maschine führen.

INHALT

Inhalt

SYMBOLERKLÄRUNG

Symbole am Gerät:	37
Erläuterung der Warnstufen	38

INHALT

Inhalt	39
--------------	----

VORSTELLUNG

Sehr geehrter Kunde!	40
Merkmale	40

VORSTELLUNG

Was ist was an der Gerät?	41
---------------------------------	----

SICHERHEITSAUSRÜSTUNG DES GERÄTES

Allgemeines	42
-------------------	----

MONTAGE UND EINSTELLUNGEN

Allgemeines	43
Montage der Klinge	43
Griffhöhe	43
Anzeige Schnitttiefe	43
Feststellbremse	44

KLINGEN

Allgemeines	45
Wasserkühlung	45
Diamantscheiben für diverse Werkstoffe	45
Überprüfen der Klinge	45
Transport und Aufbewahrung	45

UMGANG MIT KRAFTSTOFF

Allgemeines	46
Kraftstoff	46
Tanken	46

BETRIEB

Schutzausrüstung	47
Allgemeine Sicherheitsvorschriften	47
Transport und Aufbewahrung	48

STARTEN UND STOPPEN

Vor dem Start	49
Starten	49
Stoppen	49

WARTUNG

Allgemeines	50
Wartungsschema	50
Reinigung	50
Funktionsinspektion	51
Schmierung	51
Verschlissenes Produkt	52

TECHNISCHE DATEN

Technische Daten	53
EG-Konformitätserklärung	54

Sehr geehrter Kunde!

Vielen Dank, dass Sie sich für ein Produkt von Husqvarna entschieden haben.

Wir hoffen, dass Sie mit Ihrer Maschine über lange Jahre zufrieden sein werden. Mit dem Erwerb unserer Produkte erhalten Sie professionelle Hilfe bei Reparaturen und Service. Haben Sie das Gerät nicht bei einem unserer Vertragshändler gekauft, fragen Sie dort nach der nächsten Servicewerkstatt.

Diese Bedienungsanweisung ist ein wertvolles Dokument. Halten Sie die Bedienungsanweisung stets griffbereit. Die genaue Befolgung ihres Inhalts (Verwendung, Service, Wartung usw.) verlängert die Lebensdauer der Maschine erheblich und erhöht zudem ihren Wiederverkaufswert. Sollten Sie Ihre Maschine verkaufen, händigen Sie dem neuen Besitzer bitte auch die Bedienungsanleitung aus.

Über 300 Jahre Innovationsgeschichte

Husqvarna ist ein schwedisches Unternehmen, dessen Geschichte bis ins Jahr 1689 zurückreicht, als König Karl XI eine Fabrik errichten ließ, in der Musketen gefertigt werden sollten. Damit wurden die Grundlagen einer erfolgreichen Firmengeschichte gelegt, in deren Verlauf bahnbrechende technische Neuerungen in Bereichen wie Waffensysteme, Fahr- und Motorräder, Haushaltsgeräte, Nähmaschinen und Gartenprodukte auf den Markt gebracht werden konnten.

Husqvarna gilt als führender Anbieter von Geräten zur Garten- und Waldpflege sowie von Schneidaustrüstungen und Diamantwerkzeugen für die Bau- und Steinindustrie.

Sorgfaltspflicht des Betreibers

Der Betreiber ist verpflichtet, nur entsprechend ausgebildete Personen mit der Bedienung der Maschine zu betrauen. Aufsichtspersonen und Bediener haben sämtliche Anweisungen in diesem Handbuch zur Kenntnis zu nehmen. Insbesondere ist auf Folgendes zu achten:

- Sicherheitshinweise
- Vorgesehene Anwendungsbereiche
- Nutzungs- und Wartungshinweise

Die Benutzung dieser Maschine könnte durch ein nationales Gesetz geregelt sein. Finden Sie heraus, welche Gesetze Anwendung finden, bevor Sie mit der Benutzung der Maschine beginnen.

Vorbehaltsbestimmungen des Herstellers

Alle Informationen und Daten dieser Bedienungsanleitung gelten zum Zeitpunkt der Drucklegung.

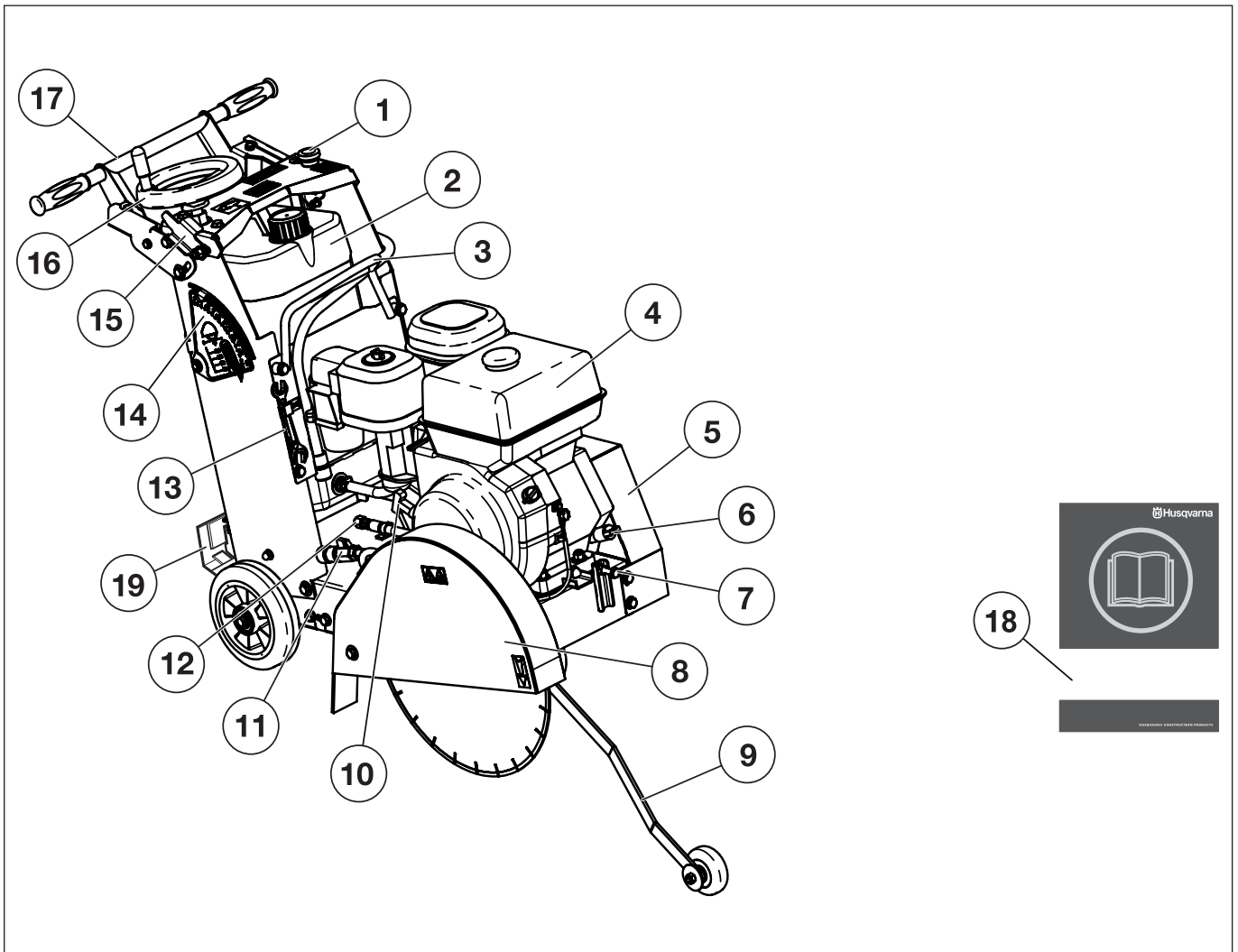
Die Husqvarna AB arbeitet ständig an der Weiterentwicklung ihrer Produkte und behält sich daher das Recht auf Änderungen ohne vorherige Ankündigung, z. B. von Form und Aussehen, vor.

Merkmale

Die Entwicklung von zuverlässigen und innovativen Hochleistungstechnologien und eine umweltfreundliche Produktfertigung sind die erklärten Ziele von Husqvarna.

Hier werden einige der Funktionen aufgeführt, die unseren Produkten das entscheidende Plus an Qualität verleihen.

VORSTELLUNG



Was ist was an der Gerät?

- | | |
|------------------------------------|-----------------------------|
| 1 Maschinen-Stopp | 11 Wasserhahn |
| 2 Wassertank | 12 Ablass, Motoröl |
| 3 Lifting eye | 13 Wartungsschlüssel |
| 4 Kraftstofftank | 14 Anzeige Schnittiefe |
| 5 Schutzabdeckung - Antriebsriemen | 15 Verriegelung Schnittiefe |
| 6 Öbefüllung | 16 Zuführrad Schnittiefe |
| 7 Spannschraube, Antriebsriemen | 17 Handgriff |
| 8 Trennscheibenschutz | 18 Bedienungsanweisung |
| 9 Vordere Führung | 19 Feststellbremse |
| 10 Starthandgriff | |

SICHERHEITSAUSRÜSTUNG DES GERÄTES

Allgemeines



WARNUNG! Benutzen Sie nie ein Gerät mit defekter Sicherheitsausrüstung. Wenn Ihr Gerät den Kontrollanforderungen nicht entspricht, muss eine Servicewerkstatt aufgesucht werden.

Das Gerät muss nach dem Betrieb ausgeschaltet werden. Der Stoppschalter wird dazu in die Position STOP gebracht.

In diesem Abschnitt werden einzelnen Teile der Sicherheitsausrüstung des Gerätes beschrieben, welche Funktion sie haben und wie ihre Kontrolle und Wartung ausgeführt werden sollen, um sicherzustellen, dass sie funktionsfähig sind.

Maschinen-Stopp

Der Maschinenstopp wird zum schnellen Abschalten der Maschine und aller elektrischen Funktionen bis auf die Leuchten verwendet.

Testen des Maschinen-Stoppschalters

- Betätigen Sie den Maschinen-Stoppschalter und stellen Sie sicher, dass der Motor stoppt.
- Deaktivieren Sie den Maschinenstopp (im Uhrzeigersinn drehen).

Trennscheibenschutz



WARNUNG! Vor dem Starten der Maschine stets prüfen, dass der Klingenschutz korrekt montiert ist.

Der Klingenschutz soll verhindern, dass Teile der Klinge oder des geschnittenen Materials gegen den Bediener geschleudert werden.

Kontrolle des Schutzes für die Klinge

Den Klingenschutz auf Schäden und Risse kontrollieren. Den Klingenschutz austauschen, wenn er Risse hat oder Schlägen ausgesetzt gewesen ist.

Vor dem Starten der Maschine stets prüfen, dass der Schutz korrekt montiert ist. Auch sicherstellen, dass die Klinge korrekt befestigt ist und keine Schäden aufweist. Eine beschädigte Klinge kann Verletzungen verursachen.

Schalldämpfer



WARNUNG! Geräte ohne bzw. mit defekten Schalldämpfern sollen niemals eingesetzt werden. Ein defekter Schalldämpfer kann Geräuschpegel und Feuergefahr erheblich steigern. Stets eine Feuerlöschschiene in Reichweite haben.

Der Schalldämpfer ist beim Betrieb und auch noch nach dem Ausschalten sehr heiß. Dies gilt auch für den Leerlauf. Die Brandgefahr beachten, besonders wenn sich feuergefährliche Stoffe und/oder Gase in der Nähe befinden.

Der Schalldämpfer soll den Geräuschpegel so weit wie möglich senken und die Abgase des Motors vom Anwender fernhalten.

Kontrolle des Schalldämpfers

Regelmäßig prüfen, ob der Schalldämpfer intakt ist und ordentlich fest sitzt.

MONTAGE UND EINSTELLUNGEN

Allgemeines

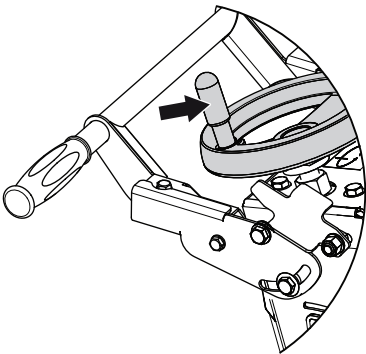


WARNUNG! Kontrollen und/oder Wartungsmaßnahmen sind mit abgeschaltetem Motor durchzuführen.

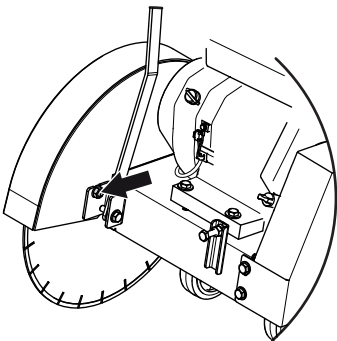
Prüfen Sie vor dem Starten der Maschine, ob das Messer und der Klingenschutz korrekt angebracht wurden.

Montage der Klinge

- Drehen Sie das Zuführrad für die Schnitttiefe nach oben.



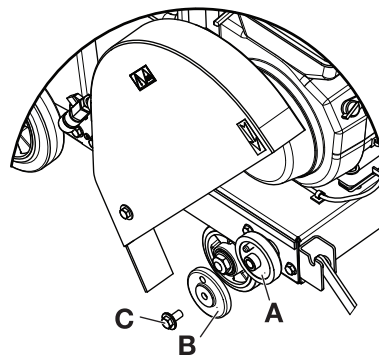
- Drehen Sie den Wasserhahn zu. Trennen Sie den Wasserschlauch vom Klingenschutz.
- Lösen Sie die vordere Mutter und neigen Sie den Klingenschutz in Wartungsposition.



WARNUNG! Stellen Sie sicher, dass die Trennscheibe, der Trennscheibenflansch und die Klingenwelle keine Schäden aufweisen. Reinigen Sie die Kontaktflächen an Trennscheibe und Trennscheibenflansch. Stellen Sie sicher, dass die Klinge und die Flansche sauber und frei von Schmutz und Abfall sind, bevor Sie die Klinge an der Maschine anbringen.

- Die Rotationsrichtung der Trennscheibe prüfen. Der Pfeil auf der Klinge gibt die Rotationsrichtung an.

- Setzen Sie die Klinge auf die Klingenwelle (A). Bringen Sie den Klingensflansch (B) über der Klinge an. Stellen Sie sicher, dass der Sperrstift am Flansch (A) durch die Klinge und in den Flansch (B) geht. Ziehen Sie die Schraube (C) mit dem mitgelieferten Schlüssel korrekt fest.

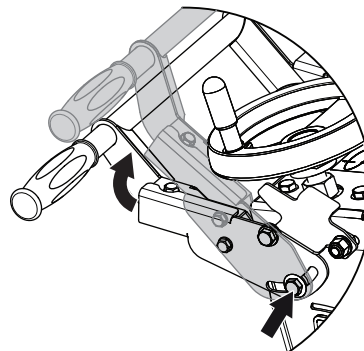


- Montieren Sie den Klingenschutz und den Wasserschlauch in umgekehrter Reihenfolge wie beim Ausbau wieder an.

Griffhöhe

Der Hebel ist in der Höhe verstellbar.

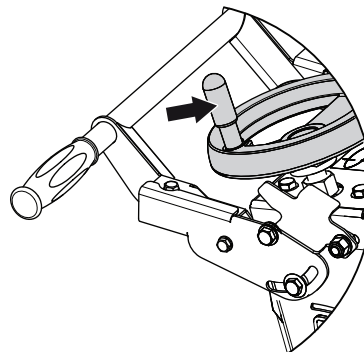
- Schraube lösen. Stellen Sie die Griffleiste auf eine komfortable Arbeitshöhe ein. Ziehen Sie die Schraube fest.



Anzeige Schnitttiefe

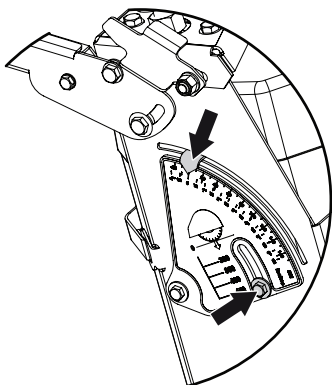
Vor der Verwendung muss die Anzeige kalibriert werden.

- Drehen Sie die Klinge nach unten, so dass diese gerade eben den Boden berührt.



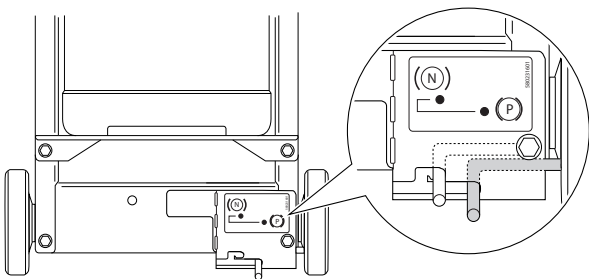
MONTAGE UND EINSTELLUNGEN

- Schraube lösen. Bringen Sie den Anzeigepfeil in Stellung 0°. Ziehen Sie die Schraube fest.



Feststellbremse

Feststellbremse aktivieren.



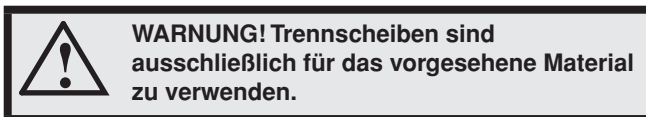
Allgemeines

- Diamantklingen bestehen aus einem Stahlkörper mit Segmenten mit Industriediamanten.
- Immer eine scharfe Diamantscheibe benutzen.
- Die Klingen müssen dieselbe oder eine höhere Drehzahl als auf dem Kennschild der Maschine aufweisen.
- Stets nur Originalklingen verwenden, die für die Maschinen ausgelegt sind.

Wasserkühlung

Es ist stets eine Wasserkühlung einzusetzen. Diese kühlt die Klingen, verlängert deren Lebensdauer und verringert die Staubbildung.

Diamantscheiben für diverse Werkstoffe



Husqvarna verfügt über eine breite Palette an Nassklingen für Boden- und Wandschnitte, darunter Klingen für frischen und gehärteten Beton in verschiedenen Härtegraden, sowie eine umfassende Reihe an Asphaltklingen. Fragen Sie Ihren Husqvarna-Händler, welche Klinge sich am besten für Ihren Einsatzbereich eignet.

Überprüfen der Klinge

- Trennscheibe und Trennscheibenschutz auf Beschädigung und Risse kontrollieren. Trennscheibe oder Trennscheibenschutz austauschen, wenn sie Schlägen ausgesetzt wurden oder Risse aufweisen. Niemals beschädigte oder verschlissene Trennscheiben verwenden.
- Sicherstellen, dass die richtige Wassermenge bis zur Klinge gelangt.

Transport und Aufbewahrung

- Untersuchen Sie neue Klingen auf Transport- oder Lagerungsschäden.
- Die Klinge ist nach Gebrauch von der Maschine abzunehmen und ordnungsgemäß aufzubewahren. Klinge trocken aufbewahren.

UMGANG MIT KRAFTSTOFF

Allgemeines



WARNUNG! Einen Motor in einem geschlossenen oder schlecht belüfteten Raum laufen zu lassen, kann zum Tod durch Ersticken oder Kohlenmonoxidvergiftung führen.

Kraftstoff und Kraftstoffdämpfe sind sehr feuergefährlich und können beim Einatmen und auf der Haut schwere Schäden verursachen. Beim Umgang mit Kraftstoff ist daher Vorsicht geboten und für eine gute Belüftung zu sorgen.

Die Motorabgase sind heiß und können Funken enthalten, die einen Brand verursachen können. Aus diesem Grunde sollte das Gerät niemals im Innenbereich oder in der Nähe von feuergefährlichen Stoffen gestartet werden!

Beim Tanken nicht rauchen und jegliche Wärmequellen vom Kraftstoff fernhalten.

Kraftstoff

HINWEIS! Die Maschine ist mit einem Viertaktmotor ausgerüstet. Sorgen Sie dafür, dass sich stets ausreichend Öl im Motor befindet.

Benzin

- Bleifreies oder verbleites Qualitätsbenzin verwenden.
- Als niedrigste Oktanzahl wird ROZ 90 empfohlen. Wenn der Motor mit Benzin einer niedrigeren Oktanzahl als 90 betrieben wird, läuft er nicht einwandfrei. Das führt zu erhöhten Motortemperaturen, die schwere Motorschäden verursachen können.

Motoröl

- Vor dem Starten der Maschine den Ölstand prüfen. Ein zu niedriger Ölstand kann schwere Motorschäden verursachen. Siehe die Anweisungen im Abschnitt "Wartung".
- Niemals Öl für Zweitaktmotoren verwenden.

Tanken



WARNUNG! Den Motor abstellen und vor dem Tanken einige Minuten abkühlen lassen.

Den Tankdeckel stets vorsichtig öffnen, so dass sich ein evtl. vorhandener Überdruck langsam abbauen kann.

Wischen Sie eventuelle Verschmutzungen um den Tankdeckel ab.

Den Tankdeckel nach dem Tanken wieder sorgfältig zudrehen.

Das Gerät vor dem Starten mindestens 3 m von der Stelle entfernen, an der getankt wurde.

Das Gerät niemals starten, wenn:

- Wenn Kraftstoff oder Motoröl auf die Maschine verschüttet wurde: Alles abwischen und restliches Benzin verdunsten lassen.
- Wenn Sie Kraftstoff über sich selbst oder Ihre Kleidung verschüttet haben, ziehen Sie sich um. Waschen Sie die Körperteile, die mit dem Kraftstoff in Berührung gekommen sind. Wasser und Seife verwenden.
- Wenn es Kraftstoff leckt. Tankdeckel und Tankleitungen regelmäßig auf Undichtigkeiten überprüfen.

Transport und Aufbewahrung

- Das Gerät und den Kraftstoff so transportieren und aufbewahren, dass bei eventuellen Undichtigkeiten entweichende Dämpfe oder Kraftstoff nicht mit Funken oder offenem Feuer in Kontakt kommen können, z. B. von Elektrogeräten, Elektromotoren, elektrischen Kontakten/Schaltern oder Heizkesseln.
- Zum Transport und zur Aufbewahrung von Kraftstoff sind speziell für diesen Zweck vorgesehene und zugelassene Behälter zu verwenden.

Langzeitaufbewahrung

- Bei längerer Aufbewahrung des Geräts ist der Kraftstofftank zu leeren. An der nächsten Tankstelle können Sie erfahren, wie Sie überschüssigen Kraftstoff am besten entsorgen.

Schutzausrüstung

Allgemeines

- Das Gerät niemals benutzen, wenn nicht die Möglichkeit besteht, im Falle eines Unfalls Hilfe herbeizurufen.

Persönliche Schutzausrüstung

Bei der Benutzung des Gerätes muss die vorgeschriebene persönliche Schutzausrüstung angewendet werden. Die persönliche Schutzausrüstung beseitigt nicht die Unfallgefahr, begrenzt aber den Umfang der Verletzungen und Schäden. Bei der Wahl der Schutzausrüstung einen Fachhändler um Rat fragen.



WARNUNG! Bei der Nutzung von Produkten, die schneiden, schleifen, bohren, feine Schleifvorgänge ausführen oder Material formen kann es zu einer Bildung von Staub und Dämpfen kommen, die schädliche chemische Substanzen enthalten. Informieren Sie sich über die Beschaffenheit des Materials, mit dem Sie arbeiten und tragen Sie einen geeigneten Atemschutz.

Eine längerfristige Beschallung mit Lärm kann zu bleibenden Gehörschäden führen. Daher stets einen zugelassenen Gehörschutz tragen. Bei Benutzung von Gehörschützern immer auf Warnsignale oder Zurufe achten. Den Gehörschutz immer abnehmen, sobald der Motor abgestellt ist.

Benutzen Sie immer:

- Einen zugelassenen Schutzhelm.
- Einen zugelassenen Gehörschutz.
- Schutzbrille oder Visier.
- Atemschutzmaske.
- Eng anliegende, kräftige und bequeme Kleidung tragen, die volle Bewegungsfreiheit gewährt.
- Stiefel mit Stahlkappe und rutschfester Sohle.

Weitere Schutzmaßnahmen

WICHTIG! Beim Betrieb des Gerätes können Funken einen Brand verursachen. Deshalb soll die Feuerlöschschrüstung stets in Reichweite aufbewahrt werden.

- Feuerlöscher.
- Ein Erste-Hilfe-Set soll immer griffbereit sein.

Allgemeine Sicherheitsvorschriften

In diesem Abschnitt werden grundlegende Sicherheitsregeln vorgestellt. Die folgenden Informationen sind kein Ersatz für das Wissen, das ein professioneller Anwender durch seine Ausbildung und praktische Erfahrung erworben hat.

- Lesen Sie die Bedienungsanleitung sorgfältig durch und machen Sie sich mit dem Inhalt vertraut, bevor Sie das Gerät benutzen.

- Daran denken, dass der Bediener für Unfälle oder Gefahrensituationen verantwortlich ist, die anderen Personen oder deren Eigentum widerfahren.
- Die Maschine ist sauber zu halten. Die Lesbarkeit aller Schilder und Aufkleber muss gewährleistet werden.

Stets mit gesundem Menschenverstand arbeiten!

Es ist unmöglich, alle denkbaren Situationen abzudecken, die beim Gebrauch des Geräts auftreten könnten. Gehen Sie stets mit Vorsicht und Vernunft vor. Lassen Sie sich bei Unsicherheiten von einer Fachkraft beraten. Fragen Sie Ihren Fachhändler, Ihre Servicewerkstatt oder einen erfahrenen Anwender. Führen Sie keine Arbeiten aus, wenn Unsicherheiten bezüglich der richtigen Vorgehensweise bestehen.



WARNUNG! Das Gerät kann falsch oder nachlässig angewendet gefährlich sein und zu schweren oder gar lebensgefährlichen Verletzungen des Benutzers oder anderer Personen führen.

Niemals Kinder oder andere Personen, die nicht mit der Handhabung der Maschine vertraut sind, die Maschine bedienen oder warten lassen.

Lassen Sie niemals jemand anderen das Gerät benutzen, ohne sich zu vergewissern, dass die Person den Inhalt der Bedienungsanleitung verstanden hat.

Niemals das Gerät verwenden, wenn Sie müde sind, Alkohol getrunken oder Medikamente eingenommen haben, die Ihre Sehkraft, Urteilsvermögen oder Körperkontrolle beeinträchtigen können.



WARNUNG! Unzulässige Änderungen und/oder Zubehörteile können zu schweren Verletzungen oder tödlichen Unfällen von Anwendern oder anderen Personen führen. Unter keinen Umständen darf die ursprüngliche Konstruktion des Gerätes ohne Genehmigung des Herstellers geändert werden.

Das Gerät nicht so modifizieren, dass es nicht länger mit der Originalausführung übereinstimmt, und nicht benutzen, wenn es scheinbar von anderen modifiziert wurde.

Niemals mit einem defekten Gerät arbeiten. Die Kontroll-, Wartungs- und Serviceanweisungen in dieser Bedienungsanleitung sind genau zu befolgen. Gewisse Wartungs- und Servicemaßnahmen sind von geschulten, qualifizierten Fachleuten auszuführen. Siehe Anweisungen unter dem Titel **Wartung**.

Es ist immer Originalzubehör zu verwenden.



WARNUNG! Diese Maschine erzeugt beim Betrieb ein elektromagnetisches Feld. Dieses Feld kann sich unter bestimmten Bedingungen auf die Funktionsweise aktiver oder passiver medizinischer Implantate auswirken. Um die Gefahr für schwere oder tödliche Verletzungen auszuschließen, sollten Personen mit einem medizinischen Implantat vor der Nutzung dieser Maschine ihren Arzt und den Hersteller des Implantats konsultieren.

Sicherheit im Arbeitsbereich

- Überprüfen Sie Ihre Umgebung auf mögliche Störquellen hin, die Ihre Aufmerksamkeit ablenken könnten.
- Es dürfen keine Personen oder Gegenstände in Berührung mit der Schneidausrüstung kommen oder von Teilen getroffen werden können, die von der Trennscheibe umhergeschleudert werden.
- Vermeiden Sie es, das Gerät bei schlechtem Wetter zu benutzen. Z.B. bei dichtem Nebel, starkem Regen oder Wind, großer Kälte usw. Das Arbeiten bei schlechtem Wetter ist sehr ermüdend und kann gefährliche Umstände herbeiführen, z. B. Rutschgefahr.
- Beginnen Sie niemals mit der Arbeit, bevor der Arbeitsbereich frei ist und Sie einen sicheren Stand haben. Achten Sie auf eventuelle Hindernisse, die im Wege sein können, wenn Sie sich plötzlich bewegen müssen. Stellen Sie sicher, daß kein Material herunterfallen und Schäden verursachen kann. Bei Arbeiten in abschüssigem Gelände muß größte Vorsicht walten.
- Sorgen Sie dafür, daß der Arbeitsbereich ausreichend beleuchtet ist, damit Sie sicher arbeiten können.
- Stellen Sie außerdem sicher, dass weder unter dem Arbeitsbereich noch im Schneidegut Versorgungsleitungen verlegt sind.
- Sicherstellen, dass die Stromkabel im Arbeitsbereich nicht stromführend sind.

Grundlegende Arbeitstechnik



WARNUNG! Die Klingenscheibe dreht sich, wenn der Motor angelassen und gestartet wird.

- Diese Maschine ist zum Schneiden von Frisch- und Festbeton in verschiedenen Härteklassen sowie von Asphalt gedacht. Jeder sonstige Gebrauch der Maschine wird als Nutzung betrachtet, die dem bestimmungsgemäßen Gebrauch widerspricht.
- Arbeiten Sie immer so, dass der Maschinen-Stoppeschalter leicht zu erreichen ist.
- Überprüfen Sie, ob keine Werkzeuge oder andere Objekte auf der Maschine liegengelassen wurden.
- Niemals das Gerät unbeaufsichtigt mit laufendem Motor stehen lassen.

- Vor dem Starten der Maschine stets prüfen, dass der Klingenschutz korrekt montiert ist. Schneidevorgänge niemals ohne den Trennscheibenschutz durchf
- Vor dem Schneiden sind alle auszuführenden Schnitte deutlich zu markieren und zu planen, sodass sie ohne Gefahr für Mensch oder Maschine durchgeführt werden können.
- Während sich die Klinge dreht, dürfen Sie die Maschine nicht wenden, drehen oder bewegen.
- Sichern oder verankern Sie Betonblöcke ausreichend, bevor Sie mit dem Sägen beginnen. Das hohe Gewicht des zu schneidenden Materials kann die Maschine stark beschädigen und zu schweren Verletzungen führen, wenn eine kontrollierte Bewegung des Materials unmöglich ist.
- Beim Arbeiten mit den Maschinen muss stets eine weitere Person anwesend sein, die bei Unfällen Hilfestellung leisten kann.

Transport und Aufbewahrung

- Die Maschine verfügt über Transporträder und kann so ganz einfach transportiert werden, wenn der Motor nicht läuft. Stellen Sie vor dem Bewegen der Maschine sicher, dass sich die Klinge in der oberen Position befindet.
- Zerlegen Sie die Trennscheibe vor dem Transportieren oder Lagern der Maschine.
- Vorsicht beim Heben. Schweres Gerät bedeutet Klemmgefahr und Gefahr für andere Verletzungen.
- Verwenden Sie zum Anheben des Geräts immer die dafür vorgesehene Hebeöse.
- Achten Sie beim Transport der Schneidausrüstung darauf, dass diese nicht beschädigt wird.
- Anweisungen zum Transport und Aufbewahren von Kraftstoff finden Sie im Abschnitt "Handhabung von Kraftstoff".
- Anweisungen zum Transport und zur Lagerung von Klingen finden Sie im Abschnitt „Klingen“.
- Bewahren Sie das Gerät für Kinder und Unbefugte unzugänglich in einem abschließbaren Raum auf.
- Falls Frostgefahr besteht, muss jegliches Restwasser aus dem Gerät abgelassen werden.

STARTEN UND STOPPEN

Vor dem Start

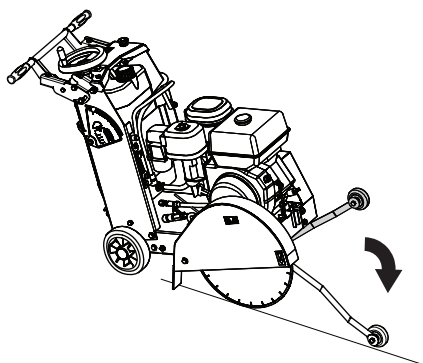


WARNUNG! Lesen Sie die Bedienungsanweisung sorgfältig durch und machen Sie sich mit dem Inhalt vertraut, bevor Sie das Gerät benutzen.

Tragen Sie persönliche Schutzausrüstung. Siehe die Anweisungen unter der Überschrift "Persönliche Schutzausrüstung".

Sorgen Sie dafür, dass sich innerhalb des Arbeitsbereichs keine unbefugten Personen aufhalten, andernfalls besteht die Gefahr von schweren Verletzungen.

- Warten Sie das Gerät täglich. Siehe die Anweisungen im Abschnitt "Wartung".
- Füllen Sie den Wassertank, oder schließen Sie die Maschine an einen Wasserhahn an.
- Markieren Sie die Schnitte, die durchgeführt werden sollen.
- Überprüfen Sie die korrekte Ausrichtung der Visiereinrichtung zur Klinge.
- Legen Sie ein Lineal am inneren Flansch an. Richten Sie die Visiereinrichtung auf das Lineal aus. Richten Sie die Visiereinrichtung bei Bedarf durch Lösen der Muttern, mit denen das Rad fixiert ist, aus. Richten Sie das Führungsrad am Lineal aus und ziehen Sie die Bolzen an.
- Senken Sie die vordere Führung ab, und richten Sie die Maschine an der Markierung aus.



Starten

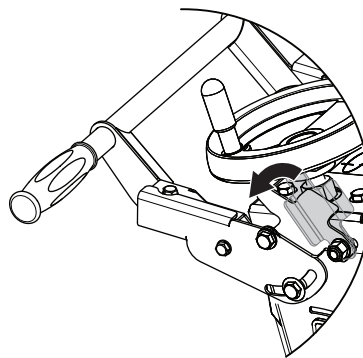
Motor anlassen

- Lesen Sie die Bedienungsanleitung des Motorherstellers aufmerksam durch.

Beginnen Sie mit dem Schneiden

- Drehen Sie den Wasserhahn auf.
- Prüfen Sie, ob die Wasserschläuche auf dem Klingenschutz geöffnet sind und ob jede Seite der Klinge über eine ausreichende Wasserversorgung verfügt.
- Testen Sie die Wasserversorgung auf Druck und Menge (Fluss) vor dem Starten des Fugenschneiders.
- Lassen Sie die Maschine mit Vollgas laufen.

- Senken Sie die Radverriegelung zum Einstellen der Schnitttiefe ab.



- Schneiden Sie nur so tief, wie die Anwendungsspezifikationen es erfordern. Wenn Sie tiefer schneiden als erforderlich, entsteht übermäßiger Verschleiß an der Klinge und dem Gerät.
- Setzen Sie einen Führungsschnitt, der etwa 20-30 mm tief ist.
- Schneiden Sie schrittweise immer 50 mm tiefer, bis die Schnitttiefe gemäß Spezifikation erreicht ist. Diese Technik wird als "Stufenschnitt" bezeichnet.
- Heben Sie die Radverriegelung zum Einstellen der Schnitttiefe an.
- Schneiden Sie ausschließlich in einer geraden Linie. Markieren Sie die Schnittlinie deutlich, sodass der Bediener des Fugenschneiders der Schnittlinie ohne Schwierigkeiten folgen kann.
- Drücken Sie die Maschine langsam nach vorn. Stellen Sie sicher, dass die vordere Führung und die Klinge nicht von der Markierung abweichen.

HINWEIS! Der Fugenschneider darf NICHT von Seite zu Seite gekippt werden, um die Klinge wieder in Position zu bringen.

Stoppen

Beenden Sie das Schneiden.

- Senken Sie die Radverriegelung zum Einstellen der Schnitttiefe ab. Lösen Sie die Klinge aus der Nut.
- Heben Sie die Radverriegelung zum Einstellen der Schnitttiefe an.
- Drehen Sie den Wasserhahn zu.

Motor abstellen

- Lesen Sie die Bedienungsanleitung des Motorherstellers aufmerksam durch.
- Betätigen Sie den Maschinen-Stoppsschalter und stellen Sie sicher, dass der Motor stoppt.

WARTUNG

Allgemeines



WARNUNG! Der Bediener darf nur die **Wartungs- und Servicearbeiten** ausführen, die in dieser Bedienungsanleitung beschrieben sind. **Größere Eingriffe sind von einer autorisierten Servicewerkstatt auszuführen.**

Kontrollen und/oder Wartungsmaßnahmen sind mit abgeschaltetem Motor durchzuführen.

Tragen Sie persönliche Schutzausrüstung. Siehe die Anweisungen unter der Überschrift "Persönliche Schutzausrüstung".

Die Lebensdauer der Maschine kann verkürzt werden und die Unfallgefahr kann steigen, wenn die Wartung der Maschine nicht ordnungsgemäß und Service und/oder Reparaturen nicht fachmännisch ausgeführt werden. Weitere Informationen erteilt Ihnen gerne die nächste Servicewerkstatt.

- Lassen Sie die Maschine regelmäßig von Ihrem Husqvarna-Händler überprüfen und notwendige Einstellungen und Reparaturen vornehmen.

Wartungsschema

Dem Wartungsplan entnehmen Sie, welche Teile des Gerätes in welchen Zeitintervallen gewartet werden müssen. Der Berechnung der Wartungsintervalle wurde die tägliche Nutzung des Gerätes zugrunde gelegt. Einer davon abweichenden Nutzungsfrequenz entsprechen deshalb andere Wartungsintervalle.

Tägliche Wartung
Reinigung
Außenreinigung
Luftfilter
Sedimentkappe
Funktionsinspektion
Generalinspektion
Motoröl
Antriebsriemen
Maschinen-Stopp*
Klingenschutz*
Schalldämpfer*
Klinge**
Schmierung
Klingenwelle, täglich
Schmiernippel für das Tiefenanpassungssystem, täglich

* Siehe Anweisungen im Abschnitt "Sicherheitsausrüstung des Gerätes".

** Siehe Anweisungen im Abschnitt "Klingen" und "Montage und Einstellungen".

Reinigung

Außenreinigung

- Darauf achten, dass alle Kupplungen, Verbindungen und Kabel sauber und intakt sind.
- Die Klinge wird mit Wasser gekühlt, das durch kleine Öffnungen im Klingenschutz gesprüht wird. Stellen Sie sicher, dass diese kleinen Öffnungen frei sind, damit die Klinge korrekt gekühlt wird.

Luftfilter

Informationen zum Reinigen und zum Wechseln eines Luftfilters finden Sie im Handbuch des Motorherstellers.

- In sehr staubigen Umgebungen muss der Luftfilter ggf. 2-3 Mal pro Tag gereinigt werden.
- Beschädigte Filter sind immer auszuwechseln.



ACHTUNG! Der Filter darf nicht mit Druckluft gereinigt werden, da er hierdurch beschädigt wird. Filter können durch Absaugen gereinigt werden. Schlagen oder ziehen Sie keine Gegenstände über die Oberfläche, da der Filter hierdurch beschädigt wird.

Papierfilter sind ordnungsgemäß zu entsorgen und auszutauschen.

Polyesterfilter können durch Absaugen oder Niederdruckreinigung gereinigt werden.

Verwenden Sie keinen Hochdruckreiniger, da der Filter hierdurch beschädigt wird.

Beschädigte Filter sind immer auszuwechseln.

Der gereinigte Filter muss vollständig getrocknet sein, bevor er wieder in das Gerät eingesetzt werden darf.

Zündkerze

- Bei schwacher Leistung, wenn das Gerät schwer zu starten ist oder im Leerlauf ungleichmäßig läuft: immer zuerst die Zündkerze prüfen, bevor andere Maßnahmen eingeleitet werden.
- Sicherstellen, dass Zündkappe und Zündkabel unbeschädigt sind, um elektrische Schläge zu vermeiden.
- Ist die Zündkerze verschmutzt, reinigen Sie diese, und prüfen Sie dabei auch den Elektrodenabstand. Bei Bedarf austauschen. Siehe hierzu auch das mitgelieferte Handbuch zum Motor.

ACHTUNG! Stets den vom Hersteller empfohlenen Zündkerzentyp verwenden! Eine ungeeignete Zündkerze kann Kolben und Zylinder zerstören.

Diese Faktoren verursachen Beläge an den Elektroden der Zündkerze und können somit zu Betriebsstörungen und Startschwierigkeiten führen.

- Falsche Ölmenge im Kraftstoff (zuviel Öl oder falsche Ölsorte).
- Verschmutzter Luftfilter.

Funktionsinspektion

Generalinspektion

- Prüfen Sie Schrauben und Muttern auf festen Sitz.

Motoröl

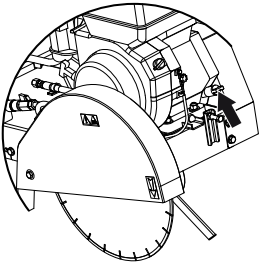


ACHTUNG! Bedenken Sie, dass Öl Gesundheits- und Umweltschäden verursachen kann. Halten Sie die örtlichen Bestimmungen zur Entsorgung und zum Recycling ein.

Informationen zum Motorölwechsel finden Sie im Handbuch des Motorenherstellers.

Kontrolle des Ölstands im Motor

- Der Motor muss sich beim Prüfen des Ölstands in einer horizontalen Position befinden. Entfernen Sie die Klinge, oder treffen Sie andere Maßnahmen, um die Maschine so weit neigen zu können, dass sich diese in einer horizontalen Position befindet.
- Ölstand prüfen und gegebenenfalls Öl nachfüllen. Der Ölstand darf nie unterhalb der unteren Markierung am Messstab sein, siehe Motorhandbuch.



- Die optimale Leistung und Funktion wird mit HUSQVARNA-Motoröl erzielt.
- Wenn kein HUSQVARNA Motoröl zur Verfügung steht, kann ein anderes, qualitativ hochwertiges Motoröl verwendet werden. Verwenden Sie Öl vom Typ SAE 10W-30, Klasse API, MS, SD, SE oder höher.
- Niemals Öl für Zweitaktmotoren verwenden.

Antriebsriemen

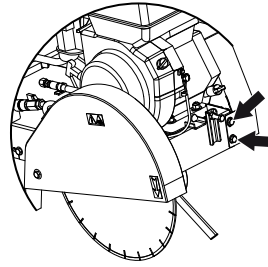
HINWEIS! Spannen Sie den Antriebsriemen nicht zu stark.

- Überprüfen, dass der Antriebsriemen intakt ist und keine sichtbaren Defekte aufweist.

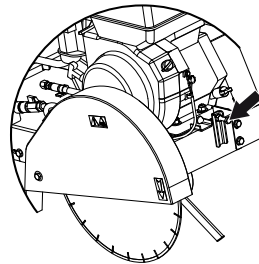
Spannen des Antriebsriemens

Ein neuer Treibriemen ist nach dem Betrieb mit ein oder zwei Tankfüllungen zu spannen.

- Lösen Sie die Schrauben des Riemenschutzes. Entfernen Sie die Abdeckung.



- Lösen Sie die Befestigungsschrauben des Motors.
- Drehen Sie die Spannschraube um 90 Grad. Der Motor wird auf diese Weise nach hinten gedrückt und der Riemen gespannt.



- Stellen Sie sicher, dass die Riemenscheiben parallel und ausgerichtet sind. Ziehen Sie die Befestigungsschrauben des Motors fest. Lösen Sie dann die Spannschraube um zwei Umdrehungen, damit diese nicht in Kontakt mit dem Motorblock kommt. Bringen Sie nun die Riemenabdeckung wieder an, und ziehen Sie die Befestigungsschrauben der Abdeckung fest.

Kraftstoffsystem

Allgemeines

- Kontrollieren, ob der Tankdeckel und dessen Dichtung unbeschädigt sind.
- Kraftstoffschlauch überprüfen. Bei Bedarf austauschen.

Schmierung

Klingenwelle

- Schmieren Sie die Klingenwelle täglich. Schließen Sie die Schmierfett pistole an und tragen Sie Schmierfett 3 bis 5 Mal bzw. so lange, auf, bis dieses an den Kanten zu sehen ist. Verwenden Sie nur Schmierfett gemäß DIN 51825 mit Klassifizierung K2K-30 oder K3K-30.

Schmiernippel für Tiefenanpassungssystem

Fetten Sie die Schmiernippel zum Einstellen der Schnitttiefe täglich.

Mutter für Zuführung der Schnitttiefe

Fetten Sie die Zuführungsschraube einige Zentimeter ober- und unterhalb der Mutter, und bewegen Sie die Säge einige Male nach oben und unten, um das Schmierfett zu verteilen.

Verschlissenes Produkt

Diese Maschine erfüllt die Voraussetzungen für eine lange Lebensdauer. Das minimiert die Umweltbelastung durch die Maschine. Führen Sie Service- und Wartungsarbeiten gemäß den Anweisungen in diesem Handbuch durch. Auf diese Weise wird die Lebensdauer der Maschine erhöht und schädliche Emissionen minimiert.

Wenn die Maschine verschlissen bzw. funktionsunfähig ist, sollte sie ordnungsgemäß für das Recycling oder die Verschrottung entsorgt werden. Halten Sie die örtlichen Bestimmungen zur Entsorgung und zum Recycling ein.

Hauptmaterialien

Motor

Aluminium, Stahl, Kupfer, Polyamid.

Maschine

Stahl, Gusseisen, Aluminium.

TECHNISCHE DATEN

Technische Daten

FS 400 LV

	450/18	500/20
Trennscheibengröße - max, mm	450/18	500/20
Schnitttiefe - max., mm/Zoll	162/6.5	187/7.5
Drehzahl der Spindel (bei Motordrehzahl von 3700 U/min) in U/min	3000	
Aufnahmebohrung, mm/Zoll	25.4/1	
Klingenflanschdurchmesser, mm/Zoll	89/3.5	
Motoröl	SAE 10W-30, Klasse API, MS, SD, SE oder höher	
Gewicht		
Maschine mit leeren Tanks, kg/lb	104/229	107/236
Betriebsgewicht, kg/lb	135/298	145/320
Abmessungen (L x B x H), mm/Zoll	1090x615x990/ 42.9x24.2x39.0	1120x615x990/ 44.1x24.2x39.0

Geräuschemissionen (siehe Anmerkung 1)	
Gemessene Schallleistung dB(A)	109
Garantierte Schallleistung L_{WA} dB(A)	112
Lautstärke (siehe Anmerkung 2)	
Schalldruckpegel am Ohr des Benutzers, dB(A)	90
Vibrationspegel, a_{hv} (siehe Anmerkung 3)	
Handgriff rechts, m/s^2	2.5
Handgriff links, m/s^2	3.2

Anmerkung 1: Umweltbelastende Geräuschemission gemessen als Schallleistung (L_{WA}) gemäß EG-Richtlinie 2000/14/EG.

Anmerkung 2: Schalldruckpegel gemäß EN 13862. Berichten zufolge liegt der Schalldruckpegel normalerweise bei einer Ausbreitungsklasse (standardmäßige Ausbreitung) von 4,0 dB (A).

Anmerkung 3: Vibrationspegel gemäß EN 13862. Berichten zufolge liegt der Vibrationspegel normalerweise bei einer Ausbreitungsklasse (Standardabweichung) von 1,5 m/s^2 .

EG-Konformitätserklärung

(nur für Europa)

Husqvarna AB, SE-561 82 Huskvarna, Schweden, Tel.: +46 36 146500, versichert hiermit, dass der Fugenschneider **Husqvarna FS 400 LV** von den Seriennummern des Baujahrs 2016 an (die Jahreszahl wird im Klartext auf dem Typenschild angegeben, mitsamt einer nachfolgenden Seriennummer) den Vorschriften folgender RICHTLINIEN DES RATES entspricht:

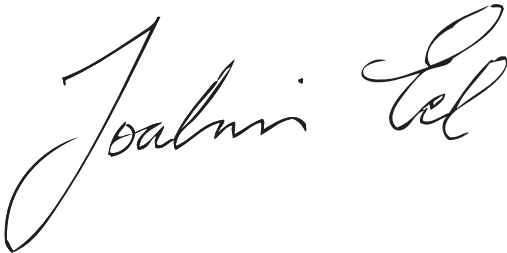
- vom 17. Mai 2006 „Maschinen-Richtlinie“ **2006/42/EG**.
- vom 26. Februar 2014 "über elektromagnetische Verträglichkeit" **2014/30/EU**.
- vom 8. Mai 2000 "über umweltbelastende Geräuschemissionen von zur Verwendung im Freien vorgesehenen Geräten und Maschinen" **2000/14/EG**.

Folgende Normen wurden angewendet:

EN ISO 12100:2010, CISPR12:2007+Amd1:2009, EN 55012:2007+A1:2009, EN ISO 14982:2009, EN 13862/A1:2009

SMP Svensk Maskinprovning AB, Box 7035, SE-750 07 Uppsala, Schweden, hat die EG-Typenprüfung gemäß der Maschinen-Richtlinie (2006/42/EC) für Husqvarna AB durchgeführt. Das Prüfzertifikat hat die Nummer: SEC/17/2477

Gothenburg, 30 März 2016



Joakim Ed

Global R&D Director

Construction Equipment Husqvarna AB

(Bevollmächtigter Vertreter für Husqvarna AB, verantwortlich für die technische Dokumentation.)

SIMBOLOGIA

I simboli sulla macchina:

AVVERTENZA! Se utilizzata in modo improprio o non corretto, la macchina può essere un attrezzo pericoloso in grado di provocare gravi lesioni o morte dell'operatore, o di altre persone.



Prima di usare la macchina, leggere per intero le istruzioni per l'uso e accertarsi di averne compreso il contenuto.



Usare sempre abbigliamento protettivo. Vedi istruzioni alla voce Abbigliamento protettivo.



Qualsiasi spostamento della macchina al di fuori dell'area di taglio deve essere effettuato esclusivamente con lo strumento non in rotazione.



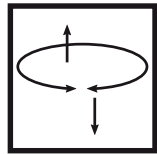
Rimuovere la lama prima di sollevare, caricare, scaricare e trasportare la macchina.



La freccia sulla protezione dell'utensile indica il senso di rotazione.



Tagliare in obliquo verso l'alto e verso il basso



Le protezioni devono sempre essere montate sulla macchina. Non consentire mai un'esposizione della lama superiore a 180°.



Controllare il gruppo di taglio. Non usare mai un gruppo di taglio smussato, rotto o danneggiato.



Le lame devono essere omologate per un regime uguale o maggiore di quello indicato sulla targhetta dati della macchina. Un disco di taglio che gira a velocità troppo elevata può spezzarsi o causare gravi danni.



Non utilizzare la macchina vicino a gas o sostanze infiammabili.



AVVERTENZA! Durante il taglio si produce polvere che può provocare difficoltà respiratorie. Usare una mascherina di protezione omologata. Evitare l'inalazione di vapori di benzina e gas di scarico. Assicurare una buona ventilazione.



Superficie calda.



Pericolo della macchina! Tenere sempre tutte le parti del corpo lontano dalla lama e da qualsiasi parte in movimento.



Pericolo di taglio. Tenersi a distanza dal gruppo di taglio.



Arresto della trasmissione



Freno di stazionamento Attivato/Disattivato



Indicatore della profondità di taglio



Riempire il serbatoio esclusivamente con acqua



Mantenere la tagliasuolo in posizione orizzontale, senza lama, durante il controllo del livello dell'olio motore.



Per sollevare la macchina, usare sempre l'occhio per il sollevamento.



Il presente prodotto è conforme alle vigenti direttive CEE. Se il contrassegno è presente sulla macchina.



Emissioni di rumore nell'ambiente in base alla direttiva della Comunità Europea. L'emissione della macchina è indicata al capitolo Dati tecnici e sulla decalcomania.



FS400 LV

Husqvarna
FS 400 LV

SIMBOLOGIA

Marchio di fabbrica

A: Marca

B: Produttore, indirizzo

C: Tipo

D: Data di fabbricazione, anno, settimana
Numero di serie

E: Codice prodotto

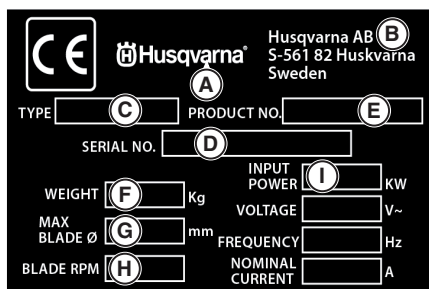
F: Peso

G: Dimensioni del disco - max, mm

H: Regime, coltello, giri/min

I: Potenza assorbita max (kW)

I restanti simboli/decalcomanie riguardano particolari requisiti necessari per ottenere la certificazione in alcuni mercati.



Spiegazione dei livelli di avvertenza

Le avvertenze sono suddivise in tre livelli.

AVVERTENZA!



AVVERTENZA! Utilizzato se è presente un rischio di gravi lesioni, morte dell'operatore oppure danni all'ambiente circostante nel caso in cui le istruzioni del manuale non vengano rispettate.

ATTENZIONE!



ATTENZIONE! Utilizzato se è presente un rischio di lesioni per l'operatore oppure danni all'ambiente circostante nel caso in cui le istruzioni del manuale non vengano rispettate.

NOTA!

NOTA! Utilizzato se è presente un rischio di danni ai materiali oppure alla macchina nel caso in cui le istruzioni del manuale non vengano rispettate.

Indice

SIMBOLOGIA

I simboli sulla macchina: 55

Spiegazione dei livelli di avvertenza 56

INDICE

Indice 57

PRESENTAZIONE

Alla gentile clientela 58

Caratteristiche 58

PRESENTAZIONE

Cosa è cosa sulla macchina 59

DISPOSITIVI DI SICUREZZA DELLA MACCHINA

Generalità 60

MONTAGGIO E REGOLAZIONI

Generalità 61

Montaggio della lama 61

Altezza impugnatura 61

Indicatore della profondità di taglio 61

Freno di stazionamento 62

LAME

Generalità 63

Raffreddamento ad acqua 63

Dischi al diamante per vari materiali 63

Controllo della lama 63

Trasporto e rimessaggio 63

OPERAZIONI CON IL CARBURANTE

Generalità 64

Carburante 64

Rifornimento 64

FUNZIONAMENTO

Abbigliamento protettivo 65

Norme generali di sicurezza 65

Trasporto e rimessaggio 66

AVVIAMENTO E ARRESTO

Prima dell'avviamento 67

Avviamento 67

Arresto 67

MANUTENZIONE

Generalità 68

Schema di manutenzione 68

Pulizia 68

Ispezione di funzionamento 69

Lubrificazione 69

Prodotto usurato 70

CARATTERISTICHE TECNICHE

Caratteristiche tecniche 71

Dichiarazione di conformità CE 72

Alla gentile clientela

La ringraziamo per aver scelto un prodotto Husqvarna!

Ci auguriamo che rimarrete soddisfatti della vostra macchina e speriamo di potervi servire per molto tempo in futuro.

L'acquisto di uno dei nostri prodotti vi dà diritto a ricevere un'assistenza professionale per le riparazioni e la manutenzione. Se non avete acquistato la macchina presso uno dei nostri rivenditori autorizzati, rivolgetevi alla più vicina officina di assistenza.

Questo manuale rappresenta un documento di grande valore. Verificare che sia sempre a disposizione sul posto di lavoro. Seguendone il contenuto (uso, assistenza, manutenzione ecc.) potrete aumentare notevolmente la durata della vostra macchina e anche il suo valore di usato. Se vendete la macchina, ricordate di consegnare il manuale delle istruzioni al nuovo proprietario.

Più di 300 anni di innovazione

Le origini della Husqvarna AB risalgono al 1689 quando il re Karl XI fece costruire una fabbrica per la produzione di moschetti. A quei tempi, erano state già gettate le fondamenta per le nozioni d'ingegneria alla base dello sviluppo di alcuni dei prodotti più importanti del mondo in campi quali: armi da caccia, biciclette, motociclette, elettrodomestici, macchine da cucire e prodotti da esterno.

Husqvarna è il leader mondiale dei prodotti elettrici da esterno per usi forestali, manutenzione di parchi e cura di prati e giardini, oltre alle attrezzature di taglio e agli utensili diamantati per i settori edili e della lavorazione della pietra.

Responsabilità dell'utente

Il proprietario/datore di lavoro è responsabile della formazione dell'operatore sull'uso sicuro della macchina. I supervisori e gli operatori devono aver letto e compreso le istruzioni per l'uso. Devono conoscere:

- le istruzioni di sicurezza della macchina;
- la gamma d'uso e le limitazioni della macchina;
- come utilizzare e sottoporre a manutenzione la macchina.

Le legislazioni nazionali potrebbero regolamentare l'utilizzo della macchina. Prima di utilizzare la macchina, verificare quali legislazioni sono applicabili sul proprio posto di lavoro.

Riserva del produttore

Tutte le informazioni e i dati contenuti in questo manuale sono da riferirsi alla data di stampa del manuale stesso.

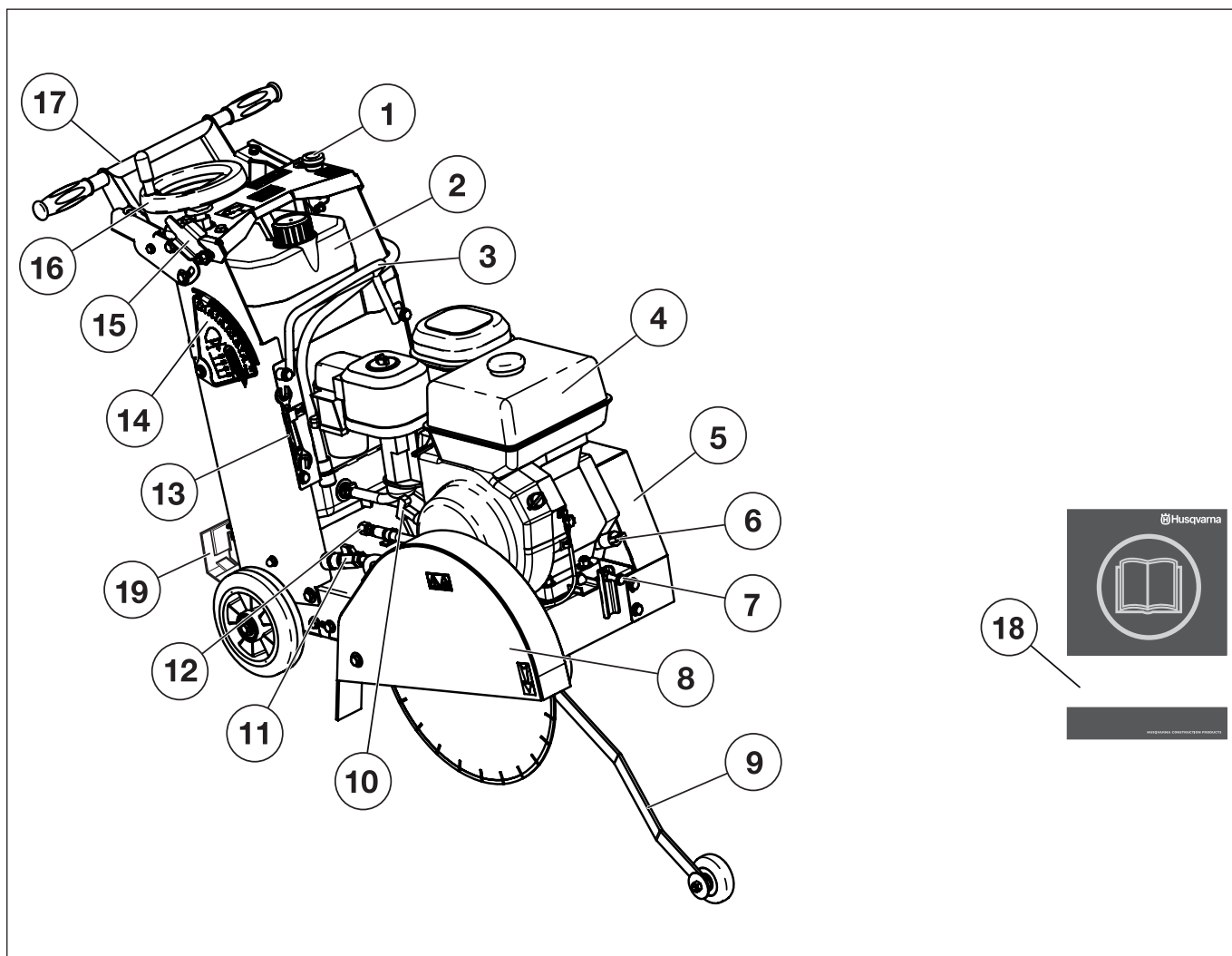
La Husqvarna AB procede costantemente allo sviluppo dei propri prodotti e si riserva quindi il diritto di apportare, senza alcun preavviso, modifiche riguardanti fra l'altro la forma e l'aspetto esteriore.

Caratteristiche

I prodotti Husqvarna si distinguono per valori di eccellenza in quanto a prestazioni, affidabilità, tecnologia innovativa, soluzioni tecniche avanzate e rispetto dell'ambiente.

Di seguito sono descritte alcune delle caratteristiche esclusive dei prodotti.

PRESENTAZIONE



Cosa è cosa sulla macchina

- | | |
|---|---|
| 1 Arresto macchina | 11 Rubinetto dell'acqua |
| 2 Serbatoio dell'acqua | 12 Scarico, olio motore |
| 3 Occhiello di sollevamento | 13 Chiave di manutenzione |
| 4 Serbatoio carburante | 14 Indicatore della profondità di taglio |
| 5 Coperchio di protezione - cinghia di trasmissione | 15 Leva di bloccaggio, profondità di taglio |
| 6 Rabbocco dell'olio | 16 Ruota di alimentazione, profondità di taglio |
| 7 Vite di tensionamento, cinghia di trasmissione | 17 Impugnatura |
| 8 Protezione del disco | 18 Istruzioni per l'uso |
| 9 Guida anteriore | 19 Freno di stazionamento |
| 10 Maniglia di avviamento | |

DISPOSITIVI DI SICUREZZA DELLA MACCHINA

Generalità



AVVERTENZA! Non usare mai una macchina con dispositivi di sicurezza difettosi. Se la macchina non supera tutti i controlli, contattare un'officina per le necessarie riparazioni.

Il motore deve essere spento e l'interruttore di arresto deve essere in posizione di arresto (STOP).

In questo capitolo vengono presentati i dispositivi di sicurezza della macchina, la loro funzione, il controllo e la manutenzione necessari per assicurarne una funzione ottimale.

Arresto macchina

L'arresto della macchina viene utilizzato per spegnere velocemente il motore e tutte le funzioni elettriche tranne le luci.

Prova di arresto della macchina

- Premere l'arresto macchina e verificare che il motore si spenga.
- Disinnestare il pulsante di arresto macchina (ruotare in senso orario).

Protezione del disco



AVVERTENZA! Controllare sempre che la protezione della lama sia montata correttamente prima di avviare la macchina.

La protezione lama è progettata per prevenire la proiezione di parti del disco o di frammenti del taglio verso l'utente.

Controllo della protezione della lama

Controllare il paralama e verificare che non abbia subito lesioni o incrinature. Sostituire il paralama nel caso in cui abbia subito degli urti o presenti delle incrinature.

Verificare sempre che la protezione sia montata correttamente prima di avviare la macchina. Verificare inoltre che la lama sia montata correttamente e non presenti danni. Una lama danneggiata può provocare lesioni personali.

Marmitta



AVVERTENZA! Non utilizzare mai la macchina senza marmitta o con marmitta in cattive condizioni. Una marmitta difettosa può aumentare sensibilmente il livello acustico e il pericolo di incendio. Tenere a portata di mano un estintore o altri attrezzi per spegnere le fiamme.

La marmitta è molto calda durante l'uso e per un po' di tempo dopo. Quanto detto vale anche se la macchina funziona al minimo. Considerare il pericolo di incendio, specialmente quando si movimentano sostanze e/o gas infiammabili.

La marmitta è costruita in modo da assicurare il minimo livello di rumorosità e da allontanare i gas di scarico del motore dall'operatore.

Controllo della marmitta

Controllare periodicamente che la marmitta sia integra e fissata correttamente.

MONTAGGIO E REGOLAZIONI

Generalità

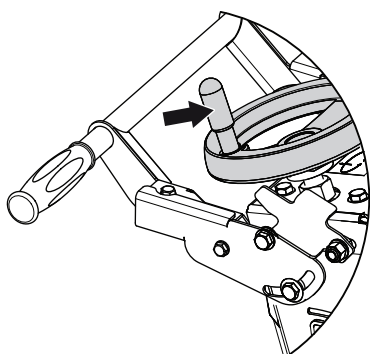


AVVERTENZA! Controllo e/o manutenzione devono essere effettuati a motore spento.

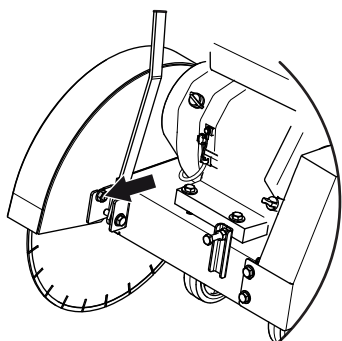
Verificare che la lama e la relativa protezione siano montate correttamente prima di avviare la macchina.

Montaggio della lama

- Sollevare la ruota di alimentazione della profondità di taglio.



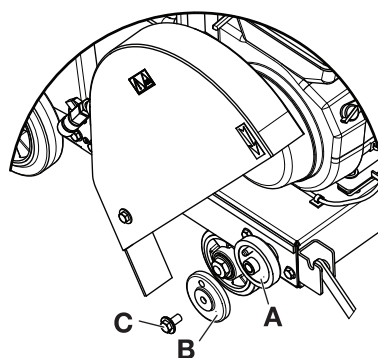
- Spegnere il rubinetto dell'acqua. Disinserire il tubo dell'acqua dalla protezione lama.
- Allentare il dado anteriore e inclinare il paralama in posizione di servizio.



AVVERTENZA! Verificare che la lama, la relativa flangia e l'albero siano integri. Pulire le superfici di contatto tra la lama e flangia. Prima di montare la lama sulla macchina, assicurarsi che la lama e le flange siano pulite e prive di sporco e detriti.

- Controllare il senso di rotazione del disco. La freccia sulla lama indica la direzione di rotazione.

- Inserire la lama sul relativo albero (A). Inserire la flangia (B) sulla lama. Accertarsi che il perno di bloccaggio sulla flangia (A) passi attraverso la lama e nella flangia (B). Serrare la vite (C) correttamente utilizzando la chiave in dotazione.

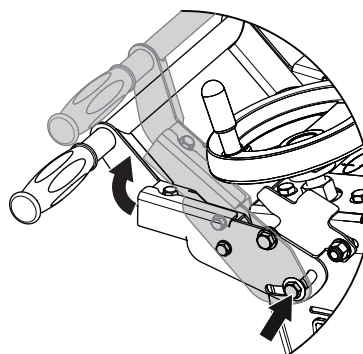


- Riattaccare il paralama e il flessibile dell'acqua in ordine inverso allo smontaggio.

Altezza impugnatura

È possibile regolare l'altezza della leva.

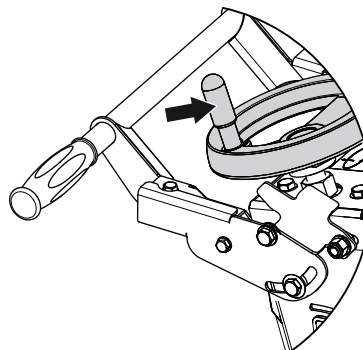
- Svitare la vite. Posizionare il manubrio all'altezza più comoda per lavorare. Serrare la vite.



Indicatore della profondità di taglio

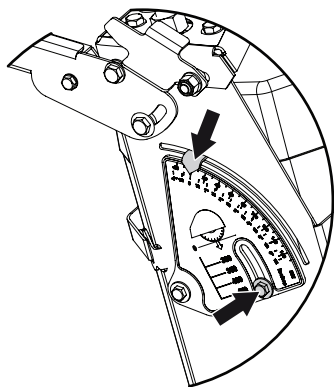
L'indicatore deve essere calibrato prima che sia messo in uso.

- Abbassare la lama in modo che sfiori appena il suolo.



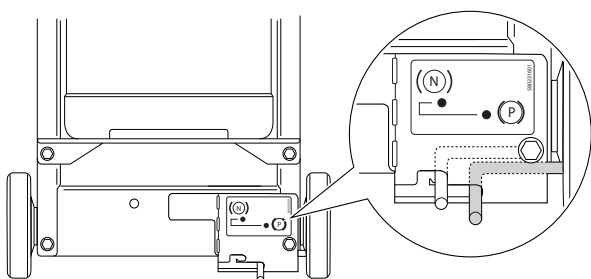
MONTAGGIO E REGOLAZIONI

- Svitare la vite. Posizionare la freccia su '0'. Serrare la vite.



Freno di stazionamento

Inserire il freno di stazionamento.



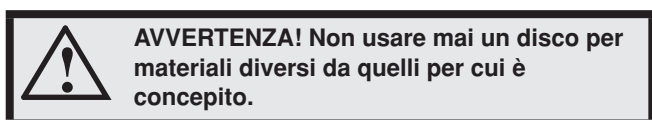
Generalità

- I dischi al diamante sono costituiti da una base in acciaio dotata di segmenti contenenti diamanti industriali.
- Usare sempre un disco di taglio ben affilato.
- Le lame devono essere omologate per un regime uguale o maggiore di quello indicato sulla targhetta dati della macchina.
- Utilizzare esclusivamente le lame originali progettate appositamente per la macchina.

Raffreddamento ad acqua

Utilizzare sempre il raffreddamento ad acqua. In tal modo le lame si raffreddano, la loro durata aumenta e si riduce la formazione di polvere.

Dischi al diamante per vari materiali



Husqvarna dispone di una vasta gamma di dischi di taglio per pavimenti e pareti, tra cui lame per qualsiasi materiale, dal calcestruzzo fresco a quello indurito in base a diverse classi di durezza, nonché di una gamma completa di lame per asfalto. Rivolgersi al rivenditore Husqvarna per raccomandazioni sulla lama più adatta alla propria applicazione.

Controllo della lama

- Controllare che il disco e la protezione del disco non abbiano subito lesioni o incrinature. Sostituire il disco o la protezione del disco nel caso in cui abbiano subito degli urti o presentino delle incrinature. Non utilizzare mai un disco danneggiato o usurato.
- Controllare che la lama sia raggiunta da una quantità d'acqua sufficiente.

Trasporto e rimessaggio

- Verificare che le lame nuove non abbiano subito danni durante il trasporto o lo stoccaggio.
- Dopo l'uso, la lama deve essere rimossa dalla macchina e conservata in luogo adatto. Conservare la lama in un luogo asciutto.

OPERAZIONI CON IL CARBURANTE

Generalità



AVVERTENZA! Un motore acceso in un ambiente chiuso o mal ventilato può essere causa di morte per soffocamento o avvelenamento da monossido di carbonio.

Il carburante e i vapori tossici sono altamente infiammabili e la loro inalazione o il contatto cutaneo possono provocare gravi lesioni. Agire dunque con cautela maneggiando il carburante e assicurare una buona ventilazione dell'ambiente durante l'operazione.

I gas di scarico del motore sono molto caldi e possono contenere scintille in grado di provocare incendi. Non avviare mai la macchina in ambienti chiusi o vicino a materiale infiammabile!

Non fumare né collocare oggetti caldi nelle vicinanze del carburante.

Carburante

NOTA! La macchina è dotata di motore a quattro tempi. Accertarsi che ci sia sempre olio a sufficienza nel motore.

Benzina

- Usare benzina di buona qualità, con o senza piombo.
- Il numero minimo di ottani raccomandato è 90 (RON). Se si utilizza una benzina con un numero di ottani inferiore a 90, il motore può strappare. In tal caso la temperatura del motore aumenta e possono verificarsi gravi avarie.

Olio motore

- Controllare il livello dell'olio prima di avviare la macchina. Se il livello dell'olio è troppo basso si possono verificare gravi danni al motore. Consultare le istruzioni nella sezione "Manutenzione".
- Non usare mai olio per motori a due tempi.

Rifornimento



AVVERTENZA! Spegner il motore e lasciarlo raffreddare alcuni minuti prima del rifornimento.

Aprire il tappo del serbatoio con cautela, per eliminare eventuali sovrappressioni.

Pulire intorno al tappo del serbatoio carburante.

Dopo il rifornimento chiudere bene il tappo.

Prima di avviare la macchina spostarla di almeno 3 metri dal luogo del rifornimento.

Non accendere mai la macchina:

- Se avete versato del carburante o dell'olio per motore sulla macchina: Asciugare il versato e lasciar evaporare i residui di benzina.
- Se avete versato del carburante su voi stessi o sui vostri abiti, cambiare abiti. Lavare le parti del corpo che sono venute a contatto con il carburante. Usare acqua e sapone.
- Se vi sono perdite di carburante nella macchina. Controllare con regolarità la presenza di eventuali perdite dal tappo del serbatoio o dai tubi di alimentazione.

Trasporto e rimessaggio

- Il rimessaggio e il trasporto della macchina e del carburante devono essere eseguiti in modo che eventuali perdite o vapori non rischino di venire a contatto con scintille o fiamme aperte, generate ad esempio da macchine elettriche, motori elettrici, contatti/interruttori o caldaie.
- Per il rimessaggio e il trasporto del carburante usare recipienti adeguati ed omologati per tale scopo.

Lunghi periodi di rimessaggio

- In caso di rimessaggio della macchina per un periodo prolungato il serbatoio del carburante va svuotato. Per l'eliminazione dei resti inutilizzati di carburante rivolgersi al più vicino distributore di benzina.

FUNZIONAMENTO

Abbigliamento protettivo

Generalità

- Non usare mai la macchina se non siete certi di poter chiedere aiuto in caso d'infortunio.

Abbigliamento protettivo

Lavorando con la macchina usare sempre abbigliamento protettivo omologato. L'uso di abbigliamento protettivo non elimina i rischi di lesioni, ma riduce gli effetti del danno in caso di incidente. Consigliatevi con il vostro rivenditore di fiducia per la scelta dell'attrezzatura adeguata.



AVVERTENZA! L'utilizzo di prodotti per taglio, levigatura, foratura, smerigliatura o lavorazione di materiali può generare polveri e vapori contenenti prodotti chimici nocivi. Informarsi sulla composizione del materiale da lavorare e utilizzare una maschera respiratoria adeguata.

Una lunga esposizione al rumore può comportare lesioni permanenti all'udito. Usare quindi sempre cuffie di protezione omologate. Far sempre attenzione a segnali di allarme o chiamate quando usate le cuffie protettive. Togliere sempre le cuffie protettive immediatamente all'arresto del motore.

Usare sempre:

- Elmetto protettivo omologato.
- Protezioni acustiche omologate.
- Occhiali o visiera di protezione.
- Mascherina protettiva.
- Abbigliamento aderente, robusto e comodo che permetta libertà nei movimenti.
- Stivali con calotta di acciaio e suola antiscivolo.

Altri dispositivi di protezione

IMPORTANTE! Lavorando con la macchina potrebbero verificarsi scintille in grado di provocare incendi. Tenere sempre a portata di mano l'attrezzatura antincendio.

- Estintore.
- Tenere sempre a portata di mano la cassetta di pronto soccorso.

Norme generali di sicurezza

Questa sezione elenca le norme basilari per un uso sicuro della mototroncatrice per muri. Queste informazioni non potranno mai sostituire la competenza di un professionista, costituita sia da formazione professionale che da esperienza pratica.

- Prima di usare la macchina, leggere per intero le istruzioni per l'uso e accertarsi di averne compreso il contenuto.

- Tenere presente che l'operatore è responsabile di eventuali incidenti o pericoli per gli altri o le cose.
- La macchina deve rimanere pulita. I segnali e gli adesivi devono essere interamente leggibili.

Impiegare sempre il buon senso

Non è possibile coprire tutte le situazioni immaginabili che potreste affrontare. Prestare sempre attenzione e usare il buon senso. In situazioni in cui vi sentite incerti su come procedere, rivolgersi sempre ad un esperto. Contattate il vostro rivenditore o un operatore che abbia esperienza della macchina. Evitare ogni tipo di operazione per la quale non vi sentiate sufficientemente competenti!



AVVERTENZA! Se utilizzata in modo improprio o non corretto, la macchina può essere un attrezzo pericoloso in grado di provocare gravi lesioni o morte dell'operatore, o di altre persone.

Non permettere mai a bambini o persone non autorizzate di utilizzare o sottoporre a manutenzione la macchina.

Non consentire mai ad altri l'utilizzo della macchina senza accertarsi che abbiano capito il contenuto del manuale di istruzioni.

Non utilizzare mai la macchina in condizioni di stanchezza oppure sotto l'effetto di alcolici, stupefacenti o farmaci in grado di alterare la vista, la capacità di valutazione o la coordinazione.



AVVERTENZA! Modifiche e/o utilizzo di accessori non autorizzati possono causare gravi lesioni e la morte dell'operatore o altre persone. Evitare assolutamente di modificare la versione originale della macchina senza l'autorizzazione del fabbricante.

Non modificare mai la macchina né utilizzarla se sembra essere stata modificata da altri.

Non usare mai una macchina difettosa. Effettuare i controlli di sicurezza e attenersi alle istruzioni di manutenzione e riparazione riportate nel presente manuale. Alcuni interventi devono essere eseguiti da personale specializzato. Vedere le istruzioni alla sezione Manutenzione.

Usare sempre accessori originali.



AVVERTENZA! Questa macchina genera un campo elettromagnetico durante il funzionamento che in determinate circostanze può interferire con impianti medici attivi o passivi. Per ridurre il rischio di gravi lesioni personali o mortali, i portatori di tali impianti devono consultare il proprio medico e il relativo produttore prima di utilizzare la macchina.

FUNZIONAMENTO

Sicurezza dell'area di lavoro

- Osservare l'ambiente circostante per accertarsi che non ci siano elementi che possano influire sul controllo della macchina.
- Accertarsi che niente o nessuno possa entrare in contatto con l'attrezzatura di taglio o possa essere colpito dalle parti scagliate dalla lama.
- Evitare di lavorare in condizioni di tempo sfavorevoli. Ad esempio nebbia, pioggia intensa, vento forte ecc. Lavorare nel maltempo è faticoso e può creare situazioni di pericolo, ad esempio un terreno sdruciolevole.
- Cominciate a lavorare solo dopo essere certi che l'area di lavoro sia libera e la posizione da voi assunta sia stabile. Individuate eventuali ostacoli in caso di spostamenti imprevisti. Quando usate la macchina, assicuratevi che il materiale non possa cadere provocando danni. Osservare la massima attenzione lavorando su terreni in pendenza.
- Assicuratevi che l'area operativa sia sufficientemente illuminata in modo da creare un ambiente di lavoro sicuro.
- Accertarsi che non vi siano tubature o cavi elettrici nell'area di lavoro o nel materiale di taglio.
- Controllare che i cavi elettrici nell'area di lavoro non siano sotto tensione.

Tecnica fondamentale di lavoro



AVVERTENZA! L'albero della lama gira quando il motore è messo in moto o avviato.

- Questa macchina è stata progettata per il taglio del calcestruzzo fresco e indurito, in base a diverse classi di durezza, e dell'asfalto. Ogni altro tipo di utilizzo viene considerato non conforme a quello per cui la macchina è stata concepita.
- Segare sempre in modo da permettere un facile accesso per l'arresto della macchina.
- Accertarsi che nessun utensile o altri oggetti siano stati lasciati sulla macchina.
- Non lasciare mai la macchina incustodita a motore acceso.
- Controllare sempre che la protezione della lama sia montata correttamente prima di avviare la macchina. Non eseguire mai tagli senza utilizzare la protezione.
- Prima del taglio, pianificare e segnare chiaramente tutti i tagli necessari, in modo che la loro esecuzione non metta a repentaglio la sicurezza delle persone e l'integrità della macchina.
- Non girare, ruotare o spostare lateralmente la macchina mentre la lama è in rotazione.
- Fissare o ancorare i blocchi di calcestruzzo prima del taglio. I blocchi tagliati sono pesanti, quindi devono essere sempre movimentati in modo controllato per evitare gravi danni alla macchina e lesioni personali.
- Accertarsi che vi sia sempre qualcuno nelle vicinanze quando si utilizza la macchina, in modo da poter chiedere aiuto in caso di incidente.

Trasporto e rimessaggio

- La macchina è dotata di ruote per il trasporto; pertanto può essere facilmente trasportata senza accendere il motore. Assicuratevi che la lama sia nella posizione superiore prima di spostare la macchina.
- Smontare la lama prima del trasporto o magazzinaggio della macchina.
- Prestare attenzione durante le operazioni di sollevamento. In sede di movimentazione di pezzi pesanti sussiste il rischio di schiacciamento e altri danni.
- Per sollevare la macchina, usare sempre l'occhio per il sollevamento.
- Assicurare le attrezzature durante il trasporto per evitare danni di trasporto e incidenti.
- Per il trasporto e la conservazione del carburante, vedere la sezione "Operazioni con il carburante".
- Per il trasporto e la conservazione dei dischi di taglio, vedere la sezione "Dischi di taglio".
- Conservate l'attrezzatura in un luogo chiuso a chiave e quindi lontano dalla portata di bambini e di persone non autorizzate.
- Se sussistono le condizioni per un eventuale congelamento, la macchina deve essere svuotata di tutta l'acqua refrigerante residua.

AVVIAMENTO E ARRESTO

Prima dell'avviamento

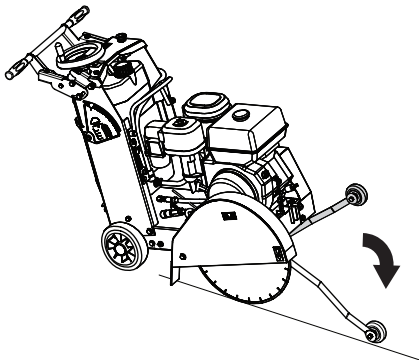


AVVERTENZA! Prima di usare la macchina, leggere per intero le istruzioni per l'uso e accertarsi di averne compreso il contenuto.

Usare sempre abbigliamento protettivo. Vedi istruzioni alla voce **Abbigliamento protettivo**.

Verificare che nella zona operativa non siano presenti persone non addette ai lavori, che sarebbero esposte al rischio di gravi lesioni.

- Eseguire la manutenzione giornaliera. Consultare le istruzioni nella sezione "Manutenzione".
- Riempire il serbatoio dell'acqua o collegare la macchina a un rifornimento di acqua.
- Contrassegnare i tagli da effettuare.
- Il puntatore frontale deve essere controllato per l'allineamento con la lama.
- Stendere un bordo dritto lungo la flangia interna. Allineare il puntatore frontale con il bordo dritto. Se necessario, regolare il puntatore frontale allentando i dadi che fissano la ruota di guida in sede. Allineare la ruota di guida al bordo dritto e serrare nuovamente i dadi.
- Abbassare la guida anteriore e allineare la macchina con i contrassegni.



Avviamento

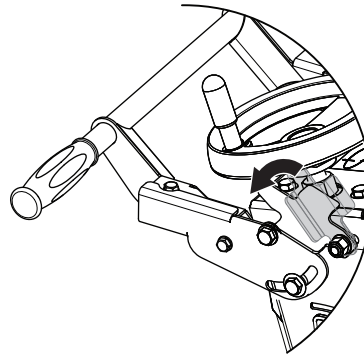
Avviamento del motore

- Leggere il Manuale dell'operatore fornito dal produttore del motore.

Iniziare il taglio

- Aprire il rubinetto dell'acqua.
- Controllare che la tubatura dell'acqua nel paralama sia aperta e che entrambi i lati della lama abbiano un'alimentazione adeguata di acqua.
- Testare l'alimentazione dell'acqua in relazione alla pressione e alla quantità (flusso) prima di avviare le operazioni di taglio.
- Far girare il motore a pieno regime.

- Abbassare il dispositivo di controllo del bloccaggio delle ruote per impostare la profondità di taglio.



- Tagliare più in profondità solo quando le specifiche del lavoro lo richiedono. I tagli più profondi del necessario provocano eccessiva usura del disco e della macchina.
- Effettuare un taglio guida, circa 20-30 mm (1 poll.) di profondità.
- Tagliare incrementi di 50 mm (2 poll.) di profondità fino al raggiungimento della profondità specificatamente richiesta. Questa tecnica è nota come 'taglio per passi'.
- Sollevare il dispositivo di controllo del bloccaggio delle ruote per impostare la profondità di taglio.
- Tagliare solo in linea retta. Contrassegnare chiaramente la linea di taglio in modo che l'operatore della motosega possa seguire la linea di taglio senza difficoltà.
- Spingere lentamente la macchina in avanti. Assicurarsi che la guida anteriore e la lama non si discostino dai contrassegni.

NOTA! Il taglio NON deve oscillare da un lato all'altro per forzare il disco a tornare in riga.

Arresto

Arrestare il taglio.

- Abbassare il dispositivo di controllo del bloccaggio delle ruote per impostare la profondità di taglio. Togliere la lama dalla scanalatura.
- Sollevare il dispositivo di controllo del bloccaggio delle ruote per impostare la profondità di taglio.
- Spegnerne il rubinetto dell'acqua.

Spegnere il motore

- Leggere il Manuale dell'operatore fornito dal produttore del motore.
- Premere l'arresto macchina e verificare che il motore si spenga.

Generalità



AVVERTENZA! L'utilizzatore può eseguire solo le operazioni di manutenzione e assistenza descritte in questo manuale delle istruzioni. Per operazioni di maggiore entità rivolgersi ad un'officina autorizzata.

Controllo e/o manutenzione devono essere effettuati a motore spento.

Usare sempre abbigliamento protettivo. Vedi istruzioni alla voce Abbigliamento protettivo.

La durata della macchina può ridursi e il rischio di incidenti aumentare se la manutenzione non viene eseguita correttamente e se l'assistenza e/o le riparazioni non vengono effettuate da personale qualificato. Per ulteriori informazioni rivolgersi alla più vicina officina di assistenza.

- Fate controllare regolarmente la macchina dal vostro distributore Husqvarna per eventuali messe a punto e riparazioni.

Schema di manutenzione

Nel programma di manutenzione è possibile verificare quali parti della macchina richiedono manutenzione e a quali intervalli deve essere eseguita. Gli intervalli sono calcolati in base all'uso giornaliero della macchina e potrebbe differire a seconda della frequenza di utilizzo.

Manutenzione giornaliera
Pulizia
Pulitura esterna
Filtro dell'aria
Coppa sedimenti
Ispezione di funzionamento
Ispezione generale
Olio motore
Cinghia di trasmissione
Arresto macchina*
Protezione della lama*
Marmitta*
Lama**
Lubrificazione
Albero del disco, quotidianamente
Ingrassare il nipplo di lubrificazione del sistema di regolazione della profondità giornalmente

*Vedere istruzioni nella sezione "Dispositivi di sicurezza della macchina".

** Vedere istruzioni nella sezione "Lame" e "Montaggio e impostazioni".

Pulizia

Pulitura esterna

- Assicurarsi che tutti i raccordi, le connessioni e i cavi siano intatti e privi d'impurità.
- La lama è raffreddata dall'acqua spruzzata attraverso piccoli fori nella protezione della lama. Assicurarsi che questi piccoli fori non siano ostruiti in modo che la lama sia ben raffreddata.

Filtro dell'aria

Per la pulizia e il cambio del filtro dell'aria, leggere il manuale dell'operatore fornito dal costruttore del motore.

- In ambienti molto polverosi, potrebbe essere necessario pulire il filtro dell'aria 2 o 3 volte al giorno.
- Un filtro danneggiato va sostituito immediatamente.



N.B! Il filtro non deve essere pulito con aria compressa, per evitare di danneggiarlo. Per la pulizia, i filtri possono essere aspirati, evitando di colpire o trascinare i componenti a livello della superficie per non danneggiarli.

I filtri di carta devono essere smaltiti correttamente e sostituiti.

Un filtro in poliestere può essere pulito tramite aspirazione o lavaggio a bassa pressione.

Non utilizzare un lavaggio ad alta pressione, il filtro si danneggia.

Un filtro danneggiato va sostituito immediatamente.

Il filtro deve essere lavato completamente a secco prima di essere riposto sull'apparecchio.

Candela

- Se la macchina presenta bassa potenza, difficoltà di avviamento o minimo irregolare: controllare sempre la candela prima di adottare qualsiasi altro provvedimento.
- Per prevenire il pericolo di scosse elettriche, controllare che cappuccio e cavo della candela siano integri.
- Se la candela è sporca, pulirla e allo stesso tempo controllare la distanza tra gli elettrodi. Sostituire se necessario. Vedere il manuale di istruzioni in dotazione con il motore.

N.B! Usare candele originali o di tipo raccomandato! Altre candele possono danneggiare cilindro e pistone.

Questi fattori causano depositi sull'elettrodo della candela, e conseguenti disturbi di funzionamento e di messa in moto.

- Miscela carburante/olio non corretta (quantità eccessiva di olio oppure olio non idoneo).
- Filtro dell'aria ostruito .

Ispezione di funzionamento

Ispezione generale

- Verificare che i dadi e le viti siano ben serrati.

Olio motore

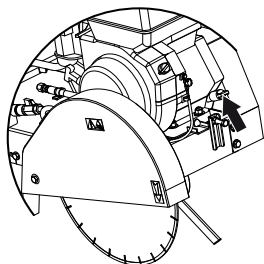


ATTENZIONE! Ricordare che l'olio può essere nocivo per la salute e per l'ambiente. Osservare le norme vigenti locali in materia di rifiuti e riciclaggio.

Per il cambio dell'olio motore, leggere il manuale dell'operatore fornito dal costruttore del motore.

Controllo del livello dell'olio motore

- Il motore deve essere collocato in posizione orizzontale per effettuare il controllo del livello dell'olio. Smontare la lama o adottare altre misure per poter inclinare la macchina in modo che il motore sia collocato in posizione orizzontale.
- Controllare il livello dell'olio, rabboccare se necessario. Il livello dell'olio non deve scendere al di sotto del contrassegno inferiore presente sull'asta di livello, consultare il manuale del motore.



- Per ottenere dei risultati ed un funzionamento ottimali usare olio per motore HUSQVARNA.
- Se non è disponibile l'olio per motore HUSQVARNA potete usare un altro olio di buona qualità. Usare olio motore di qualità SAE 10W-30, classe, API, MS, SD, SE o superiore.
- Non usare mai olio per motori a due tempi.

Cinghia di trasmissione

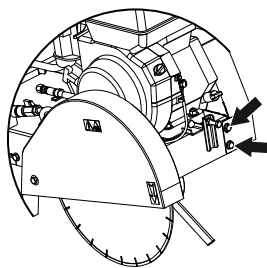
NOTA! Non tendere eccessivamente la cinghia di trasmissione.

- Controllare che la cinghia di trasmissione sia integra e che non presenti difetti visibili.

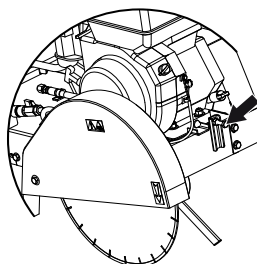
Tensionamento della cinghia di trasmissione

Tendere la nuova cinghia di tanto in tanto oppure dopo due pieni di carburante.

- Allentare le viti della protezione della cinghia. Rimuovere il coperchio.



- Allentare le viti che fissano il motore.
- Ruotare la vite di tensionamento di un quarto di giro; il motore verrà spinto verso la parte posteriore e la cinghia verrà tesa.



- Assicurarsi che le pulegge della cinghia siano parallele e allineate tra loro. Serrare le viti di fissaggio del motore, quindi svitare la vite di tensionamento di 2 giri per evitare ogni contatto con il blocco motore. Rimontare la protezione della cinghia e serrare le viti che la fissano in posizione.

Sistema di alimentazione

Generalità

- Accertarsi dell'integrità di coperchio del serbatoio e relativa tenuta.
- Controllare il tubo pescante. Sostituire se necessario.

Lubrificazione

Albero della lama

- Ingrassare l'albero della lama quotidianamente. Collegare la pistola ingrassatrice e pompare 3-5 volte o fino a quando il grasso non è visibile sui bordi. Utilizzare solo grasso DIN 51825 classificato K2K-30 o K3K-30.

Ingrassatore per la regolazione della profondità

Lubrificare quotidianamente gli ingrassatori per impostare la profondità di taglio.

Dado di alimentazione della profondità di taglio

Ingrassare la vite di alimentazione un paio di cm al di sopra e al di sotto del dado e regolare la sega su e giù per un paio di volte per distribuire il grasso.

Prodotto usurato

Questa macchina presenta i requisiti adeguati per una lunga durata. Pertanto l'impatto ambientale della macchina risulta minimo. Eseguire le operazioni di assistenza e manutenzione secondo le istruzioni del presente manuale. In questo modo il motore dura più a lungo e le emissioni pericolose vengono ridotte al minimo.

Al momento dello smaltimento della macchina, questa deve essere destinata al riciclaggio o al recupero rottami. Osservare le norme vigenti locali in materia di rifiuti e riciclaggio.

Principali materiali

Motore

Alluminio, acciaio, rame, poliammide.

Macchina:

Acciaio, ghisa, alluminio.

CARATTERISTICHE TECNICHE

Caratteristiche tecniche

FS 400 LV

	450/18	500/20
Dimensioni del disco - max, mm/pollici	450/18	500/20
Profondità max. di taglio, mm/pollici	162/6.5	187/7.5
La velocità di rotazione dell'alberino (a un regime del motore di 3700 giri/min), giri/min	3000	
Dimensioni dell'albero, mm/pollici	25.4/1	
Diametro della flangia della lama, mm/pollici	89/3.5	
Olio motore	SAE 10W-30, classe API , MS, SD, SE o superiore.	
Peso		
Macchina con serbatoi vuoti, kg/lb	104/229	107/236
Peso di esercizio, kg/lb	135/298	145/320
Dimensioni (LXPXA), mm/pollici	1090x615x990/ 42.9x24.2x39.0	1120x615x990/ 44.1x24.2x39.0

Emissioni di rumore (vedi nota 1)	
Livello potenza acustica, misurato dB(A)	109
Livello potenza acustica, garantito L_{WA} dB(A)	112
Livelli di rumorosità (vedi nota 2)	
Livello pressione acustica all'udito dell'operatore, dB(A)	90
Livelli di vibrazioni, a_{hv} (vedi nota 3)	
Impugnatura destra, m/s^2	2.5
Impugnatura sinistra, m/s^2	3.2

Nota 1: Emissione di rumore nell'ambiente misurato come potenza acustica (L_{WA}) in base alla direttiva CE 2000/14/CE.

Nota 2: Livello di pressione acustica in ottemperanza alla norma EN 13862. I dati riportati per il livello di pressione acustica hanno una dispersione statistica tipica (deviazione standard) di 4,0 dB(A).

Nota 3: Livello di vibrazioni in ottemperanza alla norma EN 13862. I dati riportati per il livello di vibrazione hanno una dispersione statistica tipica (deviazione standard) di 1,5 m/s^2 .

CARATTERISTICHE TECNICHE

Dichiarazione di conformità CE

(Solo per l'Europa)

Husqvarna AB, SE-561 82 Huskvarna, Svezia, tel +46-36-146500, dichiara con la presente che la tagliasuolo **Husqvarna FS 400 LV** a partire dai numeri di serie del 2016 (l'anno viene evidenziato nella targhetta dati di funzionamento ed è seguito da un numero di serie) è conforme alle disposizioni della DIRETTIVA DEL CONSIGLIO:

- del 17 maggio 2006 "sulle macchine" **2006/42/CE**.
- del 26 febbraio 2014 "sulla compatibilità elettromagnetica" **2014/30/UE**.
- dell'8 maggio 2000 "sull'emissione di rumore nell'ambiente" **2000/14/CE**.

Sono state applicate le seguenti norme:

EN ISO 12100:2010, CISPR12:2007+Amd1:2009, EN 55012:2007+A1:2009, EN ISO 14982:2009, EN 13862/A1:2009

SMP Svensk Maskinprovning AB, Box 7035, SE-750 07 Uppsala, Svezia, ha eseguito l'omologazione volontaria in base alla direttiva macchine (2006/42/CE) per conto di Husqvarna AB. Il certificato porta il numero: SEC/17/2477

Gothenburg, 30 marzo 2016



Joakim Ed

Direttore Ricerca e sviluppo globale

Construction Equipment Husqvarna AB

(Rappresentante autorizzato per Husqvarna AB e responsabile della documentazione tecnica.)

ACLARACIÓN DE LOS SÍMBOLOS

Símbolos en la máquina:

¡ATENCIÓN! La máquina, si se utiliza de forma errónea o descuidada, puede ser una herramienta peligrosa que puede causar daños graves e incluso la muerte al usuario y a otras personas.



Lea detenidamente el manual de instrucciones y asegúrese de entender su contenido antes de utilizar la máquina.



Utilice el equipo de protección personal. Vea las instrucciones bajo el título "Equipo de protección personal".



Todos los desplazamientos que se realicen fuera del área de corte se harán con la herramienta detenida.



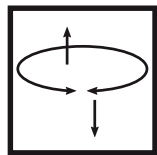
Retire la cuchilla antes de elevar, cargar, descargar o transportar la máquina.



La flecha en el protector de la herramienta indica la dirección de la rotación.



Penetración hacia arriba y hacia abajo



Las protecciones deben estar siempre montadas en la máquina. No permita nunca que la exposición del disco supere los 180°.



Controle el equipo de corte. Nunca utilice un equipo roto, agrietado o dañado.



Los discos de corte deben estar marcados con la misma velocidad que se indica en la placa de características de la máquina, o una velocidad superior. Un disco de corte a velocidad excesiva se puede romper o causar daños graves.



No utilice la máquina cerca de sustancias o gases inflamables.



¡ATENCIÓN! Al cortar se genera polvo que puede causar daños por inhalación. Utilice una máscara respiratoria homologada. Evite la inhalación de vapores de gasolina y gases de escape. Procure que haya buena ventilación.



Superficie caliente.



Riesgo de daños en la máquina. Mantenga siempre el disco y las demás piezas móviles alejadas de todas las partes del cuerpo.



Riesgo de cortes. Mantenga todas las partes del cuerpo alejadas del equipo de corte.



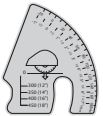
Parada de la transmisión



Freno de estacionamiento Activado / Desactivado



Indicador de la profundidad de corte



Llene el depósito solo con agua.



Mantenga la cortadora nivelada, sin el disco, al comprobar el nivel de aceite.



Utilice siempre la argolla de izada montada en la máquina para levantarla.



Este producto cumple con la directiva CE vigente. Si está indicado en la máquina.



Las emisiones sonoras en el entorno según la directiva de la Comunidad Europea. Las emisiones de la máquina se indican en el capítulo Datos técnicos y en la etiqueta.



FS400 LV

Husqvarna
FS 400 LV

Placa de características

A: Marca

B: Fabricante, dirección

C: Tipo

D: Fecha de fabricación, año, semana
Número de serie

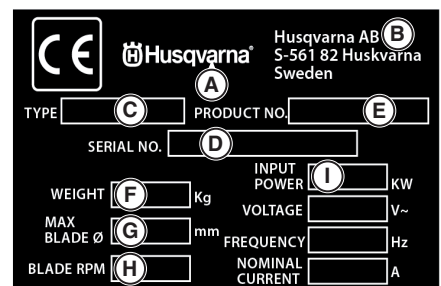
E: Número de producto

F: Peso

G: Tamaño máx. del disco, mm

H: Velocidad de cuchilla, r.p.m.

I: Potencia máxima de entrada (kW)



ACLARACIÓN DE LOS SÍMBOLOS

Los demás símbolos/etiquetas que aparecen en la máquina corresponden a requisitos de homologación específicos en determinados mercados.

Explicación de los niveles de advertencia

Las advertencias se clasifican en tres niveles.

¡ATENCIÓN!



¡ATENCIÓN! Indica un riesgo de daños graves para el usuario o incluso muerte, o bien daños al entorno, si no se siguen las instrucciones del manual.

¡NOTA!



¡NOTA! Indica un riesgo de lesiones para el usuario o daños al entorno si no se siguen las instrucciones del manual.

AVISO

AVISO Indica un riesgo de daños en los materiales o en la máquina si no se siguen las instrucciones del manual.

Índice

ACLARACIÓN DE LOS SÍMBOLOS

Símbolos en la máquina: 73

Explicación de los niveles de advertencia 74

ÍNDICE

Índice 75

PRESENTACIÓN

Apreciado cliente: 76

Características 76

PRESENTACIÓN

¿Qué es qué en la máquina? 77

EQUIPO DE SEGURIDAD DE LA MÁQUINA

Generalidades 78

MONTAJE Y AJUSTES

Generalidades 79

Montaje del disco 79

Altura de la empuñadura 79

Indicador de la profundidad de corte 79

Freno de estacionamiento 80

DISCOS

Generalidades 81

Refrigeración por agua 81

Hojas de diamante para diversos materiales 81

Control de la cuchilla 81

Transporte y almacenamiento 81

MANIPULACION DEL COMBUSTIBLE

Generalidades 82

Carburante 82

Repostaje 82

FUNCIONAMIENTO

Equipo de protección 83

Instrucciones generales de seguridad 83

Transporte y almacenamiento 84

ARRANQUE Y PARADA

Antes del arranque 85

Arranque 85

Parada 85

MANTENIMIENTO

Generalidades 86

Programa de mantenimiento 86

Limpieza 86

Inspección funcional 87

Engrasado 87

Producto desgastado 88

DATOS TECNICOS

Datos técnicos 89

Declaración CE de conformidad 90

Apreciado cliente:

Gracias por elegir un producto Husqvarna.

Esperamos que su máquina le proporcione plena satisfacción y le sirva de ayuda por mucho tiempo en adelante. La adquisición de alguno de nuestros productos da acceso a asistencia profesional con reparaciones y servicio. Si la máquina no fue adquirida en un distribuidor oficial, preguntar en la tienda de compra la dirección del taller de servicio más cercano.

Este manual de instrucciones es un documento importante. Procure tenerlo siempre a mano en el lugar de trabajo. Siguiendo sus instrucciones (de uso, servicio, mantenimiento etcétera) puede alargar considerablemente la vida útil de la máquina e incrementar su valor de reventa. Si vende su máquina, entregue el manual de instrucciones al nuevo propietario.

Más de 300 años de innovación

La fundación de la empresa sueca Husqvarna AB data del año 1689, cuando el Rey Karl XI encargó la construcción de una fábrica para la fabricación de mosquetes. En ese momento se establecieron los cimientos de la experiencia tecnológica en la que se basan muchos de los productos punteros en el mundo en el sector de las armas de caza, bicicletas, motocicletas, electrodomésticos, máquinas de coser y productos para exteriores.

Husqvarna es líder internacional en productos motorizados para exteriores destinados a la silvicultura, el mantenimiento de parques y el cuidado del césped y del jardín, así como equipos de corte y herramientas de diamante para el sector de la construcción y la piedra.

Responsabilidad del usuario

El propietario / empresario es el responsable de asegurarse de que el usuario tiene los conocimientos necesarios para utilizar la máquina con seguridad. Los supervisores y los usuarios deben haber leído y entendido el manual de instrucciones. Deben tener conocimiento de lo siguiente:

- Las instrucciones de seguridad de la máquina.
- Las aplicaciones y las limitaciones de la máquina.
- El modo de uso y de mantenimiento de la máquina.

La utilización de esta máquina podría estar regulada por la legislación nacional vigente. Infórmese sobre la legislación vigente en el lugar donde trabaja antes de empezar a utilizar la máquina.

Los derechos que se reserva el fabricante.

Toda la información y todos los datos contenidos en este manual de instrucciones son vigentes en la fecha de impresión del manual.

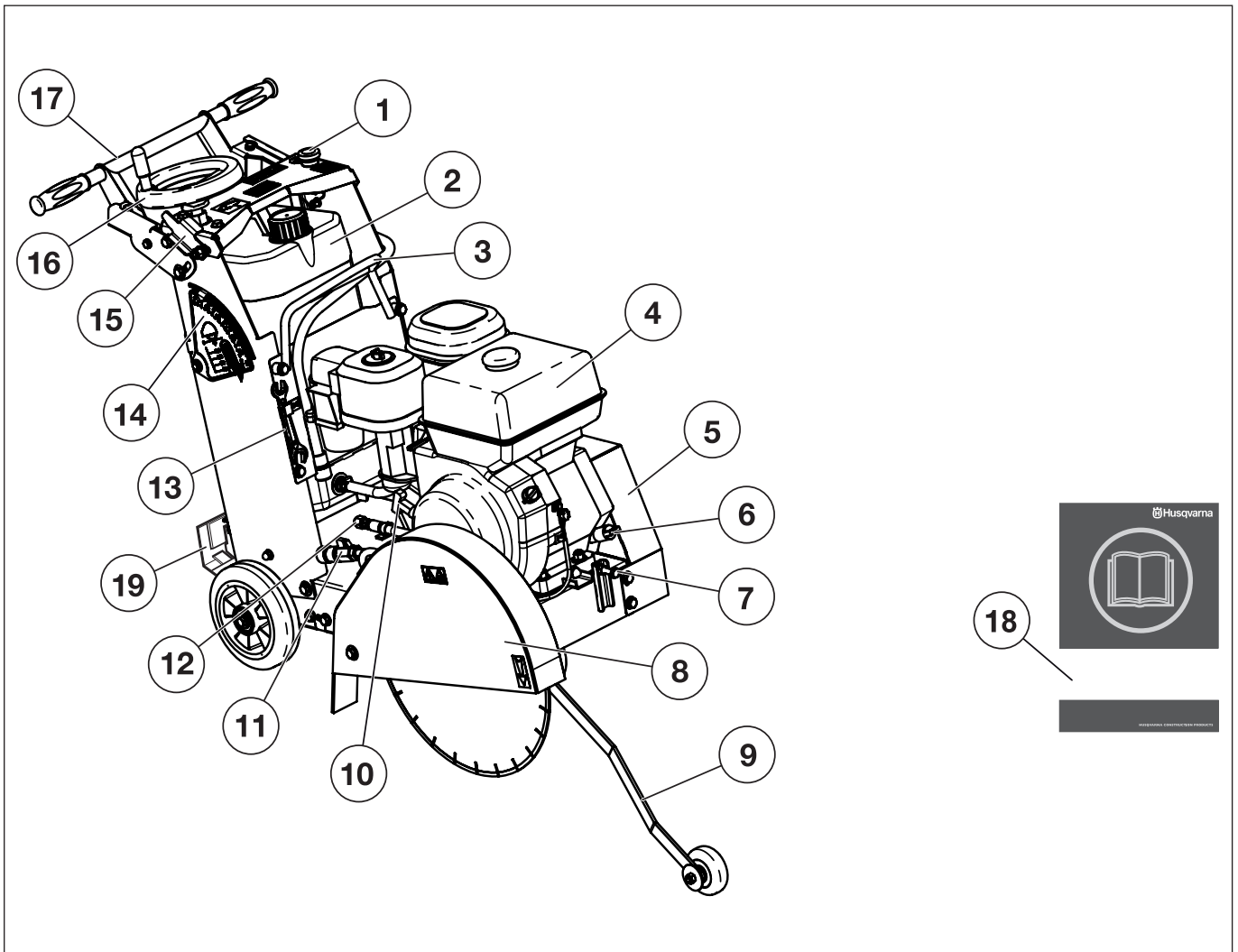
Husqvarna AB trabaja constantemente para perfeccionar sus productos y se reserva, por lo tanto, el derecho a introducir modificaciones en la construcción y el diseño sin previo aviso.

Características

El alto rendimiento, la fiabilidad, la tecnología innovadora, las soluciones técnicas avanzadas y el respeto medioambiental son los valores que caracterizan a los productos de Husqvarna.

A continuación se describen algunas de las características únicas de su producto.

PRESENTACIÓN



¿Qué es qué en la máquina?

- | | |
|---|--|
| 1 Parada de la máquina | 11 Grifo de agua |
| 2 Depósito de agua | 12 Drenaje, aceite del motor |
| 3 Cáncamo de elevación | 13 Llave de mantenimiento |
| 4 Depósito de combustible | 14 Indicador de la profundidad de corte |
| 5 Tapa protectora - correa de transmisión | 15 Palanca de cierre, profundidad de corte |
| 6 Llenado de aceite | 16 Rueda de alimentación, profundidad de corte |
| 7 Tornillo tensor, correa de transmisión | 17 Mango |
| 8 Protección de la hoja | 18 Manual de instrucciones |
| 9 Guía frontal | 19 Freno de estacionamiento |
| 10 Empuñadura de arranque | |

EQUIPO DE SEGURIDAD DE LA MÁQUINA

Generalidades



¡ATENCIÓN! Nunca utilice una máquina con componentes de seguridad defectuosos. Si su máquina no pasa todos los controles, entréguela a un taller de servicio para su reparación.

El motor debe apagarse y el botón de parada debe colocarse en la posición de parada.

En este capítulo se describen los componentes de seguridad de la máquina, su función y el modo de efectuar el control y el mantenimiento para garantizar un funcionamiento óptimo.

Parada de la máquina

Para apagar rápidamente el motor y todas las funciones eléctricas, salvo las luces, se utiliza el botón de parada de la máquina.

Comprobación de la parada de la máquina

- Pulse la parada de la máquina y compruebe que el motor se detiene.
- Desconecte el botón de parada de la máquina (girar a la derecha).

Protección de la hoja



¡ATENCIÓN! Antes de arrancar la máquina, controle siempre que la protección de disco está correctamente montada.

La protección del disco está diseñada para impedir que partes del disco o material cortado salgan disparadas contra el usuario.

Control de la protección del disco de corte

Controle que la protección de la hoja no esté dañada ni presente grietas. Cambie la protección de la hoja si ha recibido golpes o está agrietada.

Antes de arrancar la máquina, controle siempre que la protección está correctamente montada. Controle también que el disco esté correctamente montado y que no tiene ningún daño. Un disco dañado puede causar daños personales.

Silenciador



¡ATENCIÓN! No utilice nunca una máquina que no tenga silenciador o que lo tenga defectuoso. Un silenciador defectuoso puede incrementar considerablemente el nivel de ruido y el riesgo de incendio. Tenga a mano herramientas para la extinción de incendios.

El silenciador está muy caliente durante el funcionamiento y después de parar. Esto también es aplicable al funcionamiento en ralentí. Preste atención al riesgo de incendio, especialmente al emplear la máquina cerca de sustancias y/o gases inflamables.

El silenciador está diseñado para reducir al máximo posible el nivel sonoro y para apartar los gases de escape del usuario.

Revisión del silenciador

Revise regularmente el silenciador para comprobar que está intacto y bien fijo.

MONTAJE Y AJUSTES

Generalidades

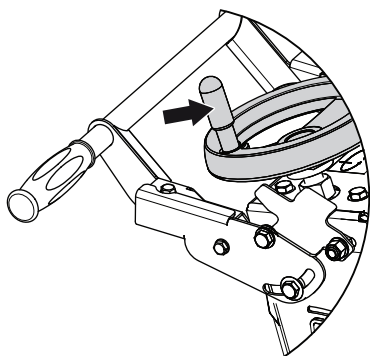


¡ATENCIÓN! Los trabajos de control y/o mantenimiento deben efectuarse con el motor desconectado.

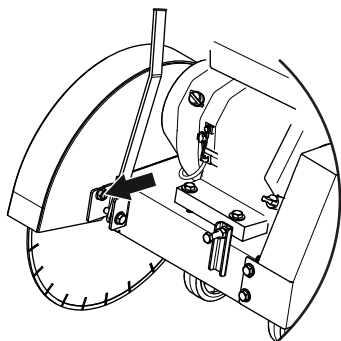
Compruebe que la cuchilla y su protección están correctamente montadas antes de arrancar la máquina.

Montaje del disco

- Enrolle la rueda de alimentación de profundidad de corte.



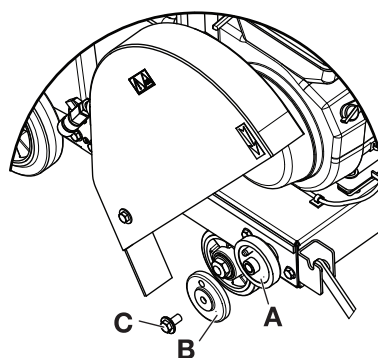
- Cierre el grifo del agua. Desconecte la manguera de agua de la protección de la hoja.
- Afloje la tuerca delantera e incline la protección del disco a la posición de servicio.



¡ATENCIÓN! Compruebe que la hoja, la brida de acoplamiento de hojas y el eje de la hoja no están dañados. Limpie las superficies de contacto de la hoja y de la brida de acoplamiento de hojas. Antes de montar el disco en la máquina, asegúrese de que tanto el disco como las bridas están limpios, sin suciedad ni restos.

- Compruebe el sentido de rotación del disco. La flecha de la hoja indica la dirección de giro.

- Coloque la hoja en el eje (A). Monte la brida de acoplamiento (B) sobre la hoja. Asegúrese de que el pasador de bloqueo de la brida (A) pase a través del disco y entre en la brida (B). Apriete el tornillo (C) con la llave suministrada.

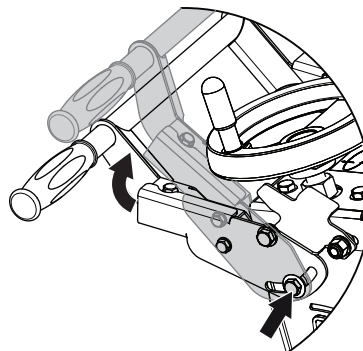


- Vuelva a montar la protección del disco y la manguera de agua en el orden inverso a lo indicado para el desmontaje.

Altura de la empuñadura

La altura de la palanca se puede ajustar.

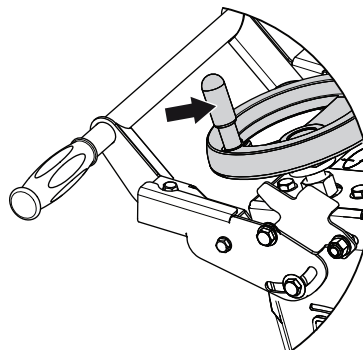
- Afloje el tornillo. Coloque el manillar a la altura que le resulte más cómoda para trabajar. Apriete el tornillo.



Indicador de la profundidad de corte

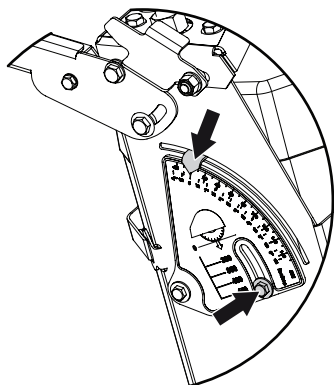
Es necesario calibrar el indicador antes de utilizarlo.

- Suelte la cuchilla hasta que toque ligeramente el suelo.



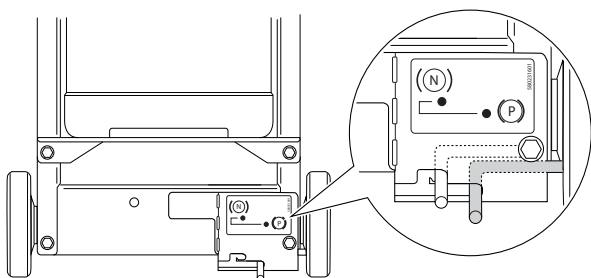
MONTAJE Y AJUSTES

- Aflojar el tornillo. Coloque la flecha del indicador en «0». Apriete el tornillo.



Freno de estacionamiento

Aplique el freno de estacionamiento.



Generalidades

- Las hojas de diamante están compuestas por un armazón de acero provisto de segmentos conteniendo diamantes industriales.
- Use siempre una hoja de diamante afilada.
- Los discos de corte deben estar marcados con la misma velocidad que se indica en la placa de características de la máquina, o una velocidad superior.
- Nunca utilice discos de corte distintos a los discos originales destinados a la máquina.

Refrigeración por agua

Debe emplearse siempre refrigeración por agua. Así se enfrían los discos de corte, se aumenta su durabilidad y se reduce la formación de polvo.

Hojas de diamante para diversos materiales



¡ATENCIÓN! No utilice nunca un disco de corte para ningún material para el que no esté destinado.

Husqvarna dispone de una amplia gama de discos de corte húmedo para corte de suelos y muros, como cuchillas para todo tipo de hormigón, desde fresco hasta endurecido, de diferentes tipos de dureza, así como una amplia gama de discos para asfalto. Consulte con su distribuidor de Husqvarna acerca del disco más adecuado para su aplicación.

Control de la cuchilla

- Asegúrese de que ni el disco ni el protector estén dañados o agrietados. Sustituya el disco o el protector si han sufrido golpes o están agrietados. No utilice nunca un disco de corte dañado o gastado.
- Comprobar que llega la cantidad de agua correcta al disco de corte.

Transporte y almacenamiento

- Revise los discos de corte nuevos para comprobar si presentan daños de transporte o almacenaje.
- Después de emplear la máquina hay que desmontar el disco y guardarlo de forma adecuada. Guarde el disco seco.

MANIPULACION DEL COMBUSTIBLE

Generalidades



¡ATENCIÓN! Si se hace funcionar el motor en un local cerrado o mal ventilado, se corre riesgo de muerte por asfixia o intoxicación con monóxido de carbono.

El combustible y los vapores de combustible son muy inflamables y pueden causar daños graves por inhalación y contacto con la piel. Por consiguiente, al manipular combustible proceda con cuidado y procure que haya buena ventilación.

Los gases de escape del motor están calientes y pueden contener chispas que pueden provocar incendio. Por esa razón, ¡nunca arranque la máquina en interiores o cerca de material inflamable!

No fume ni ponga objetos calientes cerca del combustible.

Carburante

AVISO La máquina tiene motor de cuatro tiempos. Compruebe que siempre haya suficiente aceite en el motor.

Gasolina

- Utilice gasolina sin plomo o gasolina con plomo de alta calidad.
- El octanaje mínimo recomendado es 90 (RON). Si se hace funcionar el motor con gasolina de octanaje inferior a 90, puede producirse clavazón. Esto aumenta la temperatura del motor, con el consiguiente riesgo de averías.

Aceite de motor

- Controlar el nivel de aceite antes de arrancar la máquina. Un nivel de aceite demasiado bajo puede causar averías graves del motor. Consulte las instrucciones bajo el título «Mantenimiento».
- No utilice nunca aceite para motores de dos tiempos.

Repostaje



¡ATENCIÓN! Apague el motor y deje que se enfríe unos minutos antes de repostar.

Para repostar, abra despacio la tapa del depósito de combustible para evacuar lentamente la eventual sobrepresión.

Limpie alrededor del tapón de combustible.

Después de repostar, apriete bien la tapa del depósito de combustible.

Antes de arrancar, aparte la máquina a 3 m como mínimo del lugar de repostaje.

Nunca arranque la máquina:

- Si ha derramado combustible o aceite de motor en la máquina. Limpie todos los derrames y deje evaporar los restos de gasolina.
- Si se salpicó el cuerpo o las ropas, cambie de ropas. Lave las partes del cuerpo que han entrado en contacto con el combustible. Use agua y jabón.
- Si hay fugas de combustible en la máquina. Compruebe regularmente si hay fugas en la tapa del depósito o en los conductos de combustible.

Transporte y almacenamiento

- Almacene y transporte la máquina y el combustible de manera que eventuales fugas o vapores no puedan entrar en contacto con chispas o llamas, por ejemplo, máquinas eléctricas, motores eléctricos, contactos eléctricos/ interruptores de corriente o calderas.
- Para almacenar y transportar combustible se deben utilizar recipientes diseñados y homologados para tal efecto.

Almacenamiento prolongado

- Si la máquina se va a almacenar por un período largo, se debe vaciar el depósito de combustible. Pregunte en la estación de servicio más cercana qué hacer con el combustible sobrante.

FUNCIONAMIENTO

Equipo de protección

Generalidades

- No use nunca una máquina si no tiene posibilidad de pedir auxilio si se produce un accidente.

Equipo de protección personal

Para trabajar con la máquina debe utilizarse un equipo de protección personal homologado. El equipo de protección personal no elimina el riesgo de lesiones, pero reduce su efecto en caso de accidente. Pida a su distribuidor que le asesore en la elección del equipo.



¡ATENCIÓN! El uso de productos que cortan, pulen, taladran, alisan o forman materiales puede generar polvo y vapores que pueden contener sustancias químicas dañinas. Averiguar la composición del material con que se trabaja y usar una máscara respiratoria adecuada.

La exposición prolongada al ruido puede causar daños crónicos en el oído. Por consiguiente, use siempre protectores auriculares homologados. Cuando use protección auditiva preste siempre atención a las señales o llamados de advertencia. Sáquese siempre la protección auditiva inmediatamente después de parar el motor.

Utilice siempre:

- Casco protector homologado.
- Protectores auriculares homologados.
- Gafas protectoras o visor.
- Máscara respiratoria.
- Prendas de vestir ceñidas, resistentes y cómodas que permitan una libertad de movimientos total.
- Botas con puntera de acero y suela antideslizante.

Otros equipos de protección

¡IMPORTANTE! Mientras trabaja con la máquina, pueden producirse chispas que podrían ocasionar un incendio. Tenga siempre a mano herramientas para la extinción de incendios.

- Extintor de incendios.
- Tenga siempre a mano el equipo de primeros auxilios.

Instrucciones generales de seguridad

Este apartado trata las normas de seguridad básicas para trabajar con el dispositivo. Esta información no sustituye en ningún caso los conocimientos y la experiencia de un profesional.

- Lea detenidamente el manual de instrucciones y asegúrese de entender su contenido antes de utilizar la máquina.

- Debe tenerse en cuenta que el operador es responsable de los accidentes o riesgos que ocurran a otras personas o a su propiedad.
- La máquina debe mantenerse limpia. Los letreros y las pegatinas deben ser legibles en su totalidad.

Emplee siempre el sentido común

Es imposible abarcar todas las situaciones en las que puede encontrarse. Utilice siempre el equipo con cuidado y sentido común. Si se encuentra en alguna situación que le haga sentirse inseguro, deténgase y consulte con un experto. Consulte a su distribuidor, al taller de servicio técnico o a un usuario experimentado. No emplee la máquina en aplicaciones para las que no se considere plenamente cualificado.



¡ATENCIÓN! La máquina, si se utiliza de forma errónea o descuidada, puede ser una herramienta peligrosa que puede causar daños graves e incluso la muerte al usuario y a otras personas.

No permita bajo ningún concepto el empleo o mantenimiento de la máquina por los niños u otras personas no instruidas en el manejo de la misma.

Nunca deje que terceros utilicen la máquina sin asegurarse primero de que hayan entendido el contenido de este manual de instrucciones.

Nunca utilice la máquina si está cansado, si ha ingerido alcohol o si toma medicamentos que puedan afectarle la vista, su capacidad de discernimiento o el control del cuerpo.



¡ATENCIÓN! Las modificaciones y/o el uso de accesorios no autorizados comportan riesgo de daños personales graves y peligro de muerte para el usuario y otras personas. Bajo ninguna circunstancia debe modificarse la configuración original de la máquina sin autorización del fabricante.

No modifique nunca esta máquina de forma que se desvíe de la versión original, y no la utilice si parece haber sido modificada por otras personas.

No utilice nunca una máquina defectuosa. Lleve a cabo las comprobaciones de seguridad y siga las instrucciones de mantenimiento y servicio de este manual. Algunas medidas de mantenimiento y servicio deben ser efectuadas por especialistas formados y cualificados. Consulte las instrucciones del apartado Mantenimiento.

Utilizar siempre recambios originales.



¡ATENCIÓN! Esta máquina genera un campo electromagnético durante el funcionamiento. Este campo magnético puede, en determinadas circunstancias, interferir con implantes médicos activos o pasivos. Para reducir el riesgo de lesiones graves o letales, las personas que utilizan implantes médicos deben consultar a su médico y al fabricante del implante antes de emplear esta máquina.

Seguridad en el área de trabajo

- Compruebe el entorno para asegurarse de que nada pueda influir en su control de la máquina.
- Asegúrese de que ningún objeto ni ninguna persona puede entrar en contacto con el equipo de corte o recibir el impacto de piezas lanzadas por el disco.
- No trabaje en condiciones atmosféricas desfavorables como niebla, lluvia intensa, tempestad, frío intenso, etc. Trabajar con mal tiempo es cansador y puede crear condiciones peligrosas, por ejemplo suelo resbaladizo.
- Antes de comenzar a trabajar con la máquina, controle siempre que el lugar esté libre y que los pies estén bien afirmados al terreno. Controle posibles obstáculos en caso de movimientos repentinos. Asegúrese de que no haya elementos que puedan caer y provocar daños al trabajar con la máquina. Tenga sumo cuidado al trabajar en taludes.
- Controle que la zona de trabajo esté bien iluminada para lograr un entorno seguro.
- Asegúrese de que no haya tuberías o cables eléctricos en la zona de trabajo o en el material que vaya a cortar.
- Compruebe que los cables eléctricos que haya en el área de trabajo no tengan tensión.

Técnica básica de trabajo



¡ATENCIÓN! El eje de disco gira cuando se arranca el motor.

- Esta máquina ha sido diseñada para cortar hormigón fresco y endurecido de diferentes tipos de dureza o asfalto. Cualquier otro uso será considerado como no específico de la máquina.
- Trabaje siempre de modo que pueda acceder fácilmente a la parada de la máquina.
- Compruebe que no ha dejado ninguna herramienta u otro objeto sobre la máquina.
- No abandonar nunca la máquina sin vigilar, con el motor en marcha.
- Antes de arrancar la máquina, controle siempre que la protección de disco está correctamente montada. No corte nunca sin utilizar el protector.
- Antes de empezar a cortar, todos los cortes que se van a hacer deben marcarse con claridad y planificarse para que se puedan hacer sin riesgo de dañar a personas o la máquina.

- Mientras la cuchilla está girando, no puede girar, rotar ni mover la máquina lateralmente.
- Sujete o ancle con firmeza los bloques de hormigón antes de cortarlos. El elevado peso del material cortado puede causar daños materiales y lesiones personales graves si no se puede mover en condiciones controladas.
- Al trabajar con las máquinas, procure siempre que haya alguien cerca, que pueda prestar ayuda en caso de accidente.

Transporte y almacenamiento

- La máquina dispone de ruedas de transporte para poder desplazarla con el motor apagado. Compruebe que la cuchilla está en la posición más elevada antes de mover la máquina.
- Desmonte la cuchilla antes de transportar y almacenar la máquina.
- Proceda con cuidado en las elevaciones. Las piezas son pesadas, por lo que hay riesgo de daños por apriete y daños personales de otro tipo.
- Utilice siempre la argolla de izada montada en la máquina para levantarla.
- Sujete bien el equipo durante el transporte para evitar daños y accidentes.
- Para obtener más detalles sobre el transporte y el almacenamiento del combustible, consulte el apartado «Manipulación del combustible».
- Para obtener más detalles sobre el transporte y el almacenamiento de los discos, consulte el apartado «Discos».
- Guarde el equipo en un lugar seguro fuera del alcance de los niños y las personas no autorizadas.
- Si existe riesgo de congelación, drene el agua restante de la máquina.

ARRANQUE Y PARADA

Antes del arranque

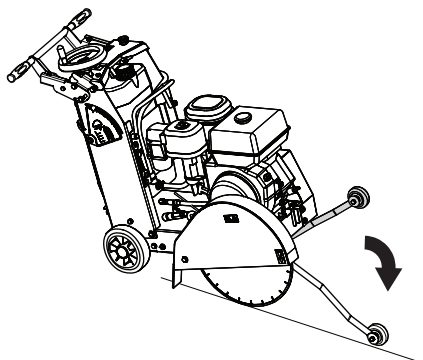


¡ATENCIÓN! Lea detenidamente el manual de instrucciones y asegúrese de entender su contenido antes de utilizar la máquina.

Utilice el equipo de protección personal. Vea las instrucciones bajo el título "Equipo de protección personal".

Asegúrese de que no haya personas desautorizadas en la zona de trabajo, de lo contrario se corre el riesgo de ocasionar graves daños personales.

- Realice el mantenimiento diario. Consulte las instrucciones bajo el título «Mantenimiento».
- Llene el depósito de agua o conecte la máquina al suministro de agua.
- Marque los cortes que desea realizar.
- Debe comprobarse la alineación del puntero de la parte delantera con el disco.
- Coloque un borde recto a lo largo de brida interior. Alinee el puntero de la parte delantera con el borde recto. Si es necesario, ajuste el puntero de la parte delantera aflojando las tuercas que sujetan la rueda guía. Alinee la rueda guía con el borde recto y vuelva a apretar las tuercas.
- Baje la guía frontal y alinee la máquina con las marcas.



Arranque

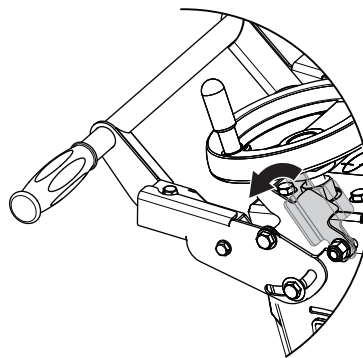
Arranque el motor

- Lea el manual de instrucciones suministrado por el fabricante del motor.

Empiece a cortar

- Abra el grifo de agua.
- Verifique que el tubo de agua de la protección del disco está abierto y suministra agua a ambos lados del disco.
- Pruebe el suministro de agua para comprobar la presión y la cantidad (caudal) antes de poner en marcha la sierra.
- Arranque el motor con aceleración máxima.

- Baje el control de cierre de la rueda para ajustar la profundidad de corte.



- Sierre únicamente a la profundidad indicada en las especificaciones del trabajo. Serrar a mayor profundidad que la necesaria implicará un desgaste excesivo del disco y la máquina.
- Haga un corte guía de aproximadamente 20 a 30 mm (1 pulg) de profundidad.
- Corte en incrementos de 50 mm (2 pulgadas) de profundidad hasta alcanzar la profundidad de corte especificada. Esto se conoce como 'corte por etapas'.
- Eleve el control de cierre de la rueda para fijar la profundidad de corte.
- Sierre exclusivamente en línea recta. Marque la línea de corte claramente para que el operario puede seguirla sin dificultad.
- Empuje lentamente la máquina hacia adelante. Compruebe que la guía frontal y la cuchilla no se desvían de las marcas.

AVISO La sierra NO debe girarse de lado a lado para forzar que el disco vuelva a la línea.

Parada

Detenga el corte.

- Baje el control de cierre de la rueda para ajustar la profundidad de corte. Suelte la cuchilla de la ranura.
- Eleve el control de cierre de la rueda para fijar la profundidad de corte.
- Cierre el grifo del agua.

Pare el motor

- Lea el manual de instrucciones suministrado por el fabricante del motor.
- Pulse la parada de la máquina y compruebe que el motor se detiene.

MANTENIMIENTO

Generalidades



¡ATENCIÓN! El usuario sólo puede efectuar los trabajos de mantenimiento y servicio descritos en este manual. Los trabajos de mayor envergadura debe efectuarlos un taller de servicio oficial.

Los trabajos de control y/o mantenimiento deben efectuarse con el motor desconectado.

Utilice el equipo de protección personal. Vea las instrucciones bajo el título "Equipo de protección personal".

La vida útil de la máquina puede acortarse y el riesgo de accidentes puede aumentar si el mantenimiento de la máquina no se hace de forma adecuada y si los trabajos de servicio y/o reparación no se efectúan de forma profesional. Para más información, consulte con el taller de servicio oficial más cercano.

- Diríjase a su distribuidor de Husqvarna para que revise la máquina regularmente y para que realice ajustes y reparaciones básicas.

Programa de mantenimiento

En el programa de mantenimiento podrá ver qué piezas de la máquina requieren mantenimiento y cada cuánto tiempo deberá realizarse. Los intervalos se calculan en función del uso diario de la máquina y pueden depender de la velocidad de uso.

Mantenimiento diario
Limpieza
Limpieza externa
Filtro de aire
Cazoleta de sedimentos
Inspección funcional
Inspección general
Aceite de motor
Correa de transmisión
Parada de la máquina*
Protección del disco de corte*
Silenciador*
Hoja**
Lubricación
Eje del disco, a diario
Boquilla de engrase del sistema de regulación de la profundidad, a diario

* Consulte las instrucciones bajo el título «Equipo de seguridad de la máquina».

** Consulte las instrucciones bajo el título «Discos de corte» y «Montaje y ajustes».

Limpieza

Limpieza externa

- Compruebe que todas las juntas, conexiones y cables están intactos y limpios.
- La cuchilla se enfría con el agua pulverizada a través de orificios pequeños de la protección de la hoja. Compruebe que estos orificios no estén bloqueados para que la cuchilla se enfríe correctamente.

Filtro de aire

Para limpiar y cambiar el filtro del aire, lea el manual de instrucciones suministrado por el fabricante del motor.

- La limpieza recomendada del filtro de aire es de 2-3 veces al día en entornos muy polvorientos.
- Un filtro de aire averiado debe cambiarse.



¡NOTA! El filtro no debe limpiarse con aire comprimido, ya que puede resultar dañado. Los filtros pueden limpiarse con un aspirador, pero evite golpear su superficie o arrastrar elementos por ella, ya que puede dañar el filtro.

Los filtros de papel deben desecharse correctamente y sustituirse.

Un filtro de poliéster pueden limpiarse con una aspiradora o mediante un lavado a baja presión.

No utilice lavados a alta presión, ya que puede dañar el filtro.

Un filtro de aire averiado debe cambiarse.

Un filtro lavado debe estar totalmente seco antes de volver a colocarlo de nuevo en el equipo.

Bujía

- Si la potencia de la máquina es baja, si el arranque es difícil o si el ralentí es irregular: revise siempre la bujía antes de efectuar otras medidas.
- Compruebe que el capuchón y el cable de encendido estén intactos para evitar sacudidas eléctricas.
- Si la bujía está sucia, límpiela y compruebe la distancia entre los electrodos. Cámbielas si es necesario. Consulte el manual de instrucciones del motor.

¡NOTA! ¡Utilice siempre el tipo de bujía recomendado! Una bujía incorrecta puede arruinar el pistón y el cilindro.

Estos factores producen revestimientos en los electrodos de la bujía que pueden ocasionar perturbaciones del funcionamiento y dificultades de arranque.

- Mezcla de aceite inadecuada en el combustible (demasiado aceite o aceite inadecuado).
- Filtro de aire sucio.

MANTENIMIENTO

Inspección funcional

Inspección general

- Compruebe que las tuercas y los tornillos están bien apretados.

Aceite de motor

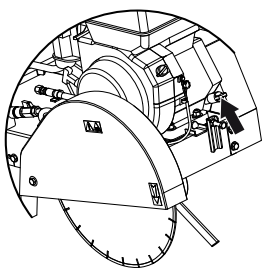


¡NOTA! Tener en cuenta que el aceite puede ser dañino para la salud y el medio ambiente. Cumpla la normativa local de reciclaje y eliminación.

Para cambiar el aceite del motor, lea el manual de instrucciones suministrado por el fabricante del motor.

Control del nivel de aceite del motor

- El motor debe estar en posición horizontal para comprobar el nivel de aceite. Desmonte la cuchilla o tome otras medidas para poder inclinar la máquina y colocar el motor en posición horizontal.
- Compruebe el nivel de aceite y llénelo, en caso necesario. El nivel de aceite nunca debe estar por debajo de la marca de la varilla, consulte el manual del motor.



- Para un resultado óptimo, use aceite para motor HUSQVARNA
- Si no se dispone de aceite para motor HUSQVARNA, se puede usar otro aceite para motor de buena calidad. Utilice aceite de motor de calidad SAE 10W-30, clase API, MS, SD, SE o superior.
- No utilice nunca aceite para motores de dos tiempos.

Correa de transmisión

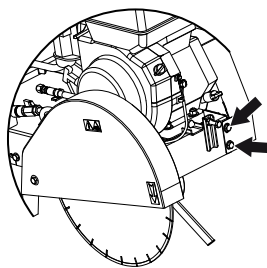
AVISO No ejerza tensión excesiva en la correa de transmisión.

- Compruebe que la correa de transmisión está intacta y no presenta defectos visibles.

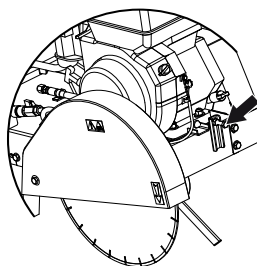
Tensado de la correa de transmisión

Una correa nueva se debe tensar una vez cuando la máquina se ha utilizado el equivalente a dos depósitos de combustible.

- Afloje los tornillos de la protección de la correa. Quite la cubierta.



- Afloje los tornillos que sujetan el motor en su sitio.
- Al girar el tornillo tensor un cuarto de vuelta, el motor caerá hacia atrás y la correa se tensará.



- Compruebe que las poleas de correa están en paralelo y alineadas entre ellas. Apriete los tornillos que sujetan el motor y desatornille 2 vueltas el tornillo tensor para impedir que entre en contacto con el bloque del motor. Vuelva a colocar la protección de la correa y apriete los tornillos que la mantienen en su sitio.

Sistema de combustible

Generalidades

- Compruebe que el tapón del depósito y su junta estén intactos.
- Compruebe la manguera de combustible. Cámbiela si es necesario.

Engrasado

Eje de la hoja

- Engrase el eje del disco a diario. Conecte la pistola de engrase y bombee con 3-5 disparos o hasta que pueda ver la grasa en los bordes. Utilice únicamente grasa DIN 51825 con la clasificación K2K-30 o K3K-30.

Boquillas de engrase para el sistema de ajuste de profundidad

Lubrique las boquillas de engrase para ajustar la profundidad de corte cada día.

Tuerca de alimentación de la profundidad de corte

Engrase el tornillo de alimentación un par de centímetros por encima y por debajo de la tuerca y ajuste la sierra arriba y abajo un par de veces para extender la grasa.

Producto desgastado

Esta máquina cumple los requisitos previos para durar muchos años. De esta forma, se minimiza el impacto medioambiental de la máquina. Realice las tareas de reparación y mantenimiento siguiendo las instrucciones de este manual. De esta forma, la máquina durará más tiempo y se minimizarán las emisiones peligrosas.

Cuando la máquina esté desgastada, deberá desecharse para su reciclado o desguace. Cumpla la normativa local de reciclaje y eliminación.

Materiales principales

Motor

Aluminio (AL), acero (AC), cobre (CU), poliamida (PA).

Máquina

Acero (AC), hierro fundido (FT), aluminio (AL).

DATOS TECNICOS

Datos técnicos

FS400 LV

	450/18	500/20
Tamaño máx. del disco, mm / pulgadas	450/18	500/20
Profundidad máxima de la sierra, mm/pulgadas	162/6.5	187/7.5
Velocidad de rotación del eje (a una velocidad de 3700 r/min), r/min	3000	
Tamaño del árbol, mm/pulgada	25.4/1	
Diámetro de la brida del disco, mm/pulgadas	89/3.5	
Aceite de motor	SAE 10W-30, clase API, MS, SD, SE o superior.	
Peso		
Máquina con depósitos vacíos, kg/lb	104/229	107/236
Peso operativo, kg/lb	135/298	145/320
Dimensiones (LxAxAI), mm/in	1090x615x990/ 42.9x24.2x39.0	1120x615x990/ 44.1x24.2x39.0

Emisiones de ruido (vea la nota 1)	
Nivel de potencia acústica medido dB(A)	109
Nivel de potencia acústica garantizado L _{WA} dB(A)	112
Niveles acústicos (vea la nota 2)	
Nivel de presión acústica en el oído del usuario, dB(A)	90
Niveles de vibraciones, a_{hv} (vea la nota 3)	
Empuñadura derecha, m/s ²	2.5
Empuñadura izquierda, m/s ²	3.2

Nota 1: Emisiones sonoras en el entorno medidas como potencia acústica (L_{WA}) según la directiva CE 2000/14/CE.

Nota 2: Nivel de presión sonora conforme a EN 13862. Los datos referidos del nivel de presión sonora tienen una dispersión estadística habitual (desviación estándar) de 4,0 dB(A).

Nota 3: Nivel de vibración conforme a EN 13862. Los datos referidos del nivel de vibración poseen una dispersión estadística habitual (desviación típica) de 1,5 m/s².

DATOS TECNICOS

Declaración CE de conformidad

(Rige sólo para Europa)

Husqvarna AB, SE-561 82 Huskvarna (Suecia), telf. +46-36-146500, declara bajo su única responsabilidad que la cortadora de suelos **Husqvarna FS 400 LV** a partir de los números de serie del año 2016 en adelante (el año se indica claramente en la placa de características, a continuación del número de serie) cumple los requisitos de las DIRECTIVAS DEL CONSEJO:

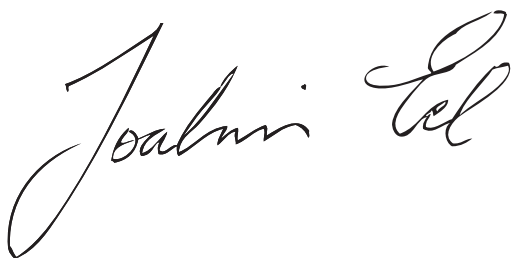
- **2006/42/CE** «relativa a máquinas» del 17 de mayo de 2006.
- **2014/30/UE**, "referente a compatibilidad electromagnética", del 26 de febrero de 2014.
- **2000/14/CE**, "sobre emisiones sonoras en el entorno" del 8 de mayo de 2000.

Se han aplicado las siguientes normas:

EN ISO 12100:2010, CISPR12:2007+Amd1:2009, EN 55012:2007+A1:2009, EN ISO 14982:2009, EN 13862/A1:2009

SMP, Svensk Maskinprovning AB, Box 7035, SE-750 07 Uppsala, Suecia, ha efectuado un examen de tipo voluntario conforme a la Directiva sobre máquinas (2006/42/CE), para Husqvarna AB. El certificado tiene el número: SEC/17/2477

Gotemburgo, 30 de marzo de 2016



Joakim Ed

Director mundial de I+D

Construction Equipment Husqvarna AB

(Presentante autorizado de Husqvarna AB y responsable de la documentación técnica.)

VERKLARING VAN DE SYMBOLEN

Symbolen op de machine:

WAARSCHUWING! Wanneer de machine onjuist of slordig wordt gebruikt, kan het een gevaarlijk gereedschap zijn, dat ernstig letsel of overlijden van de gebruiker of anderen kan veroorzaken.



Neem de gebruiksaanwijzing grondig door en gebruik de machine niet voor u alles duidelijk heeft begrepen.



Draag altijd persoonlijke veiligheidsuitrusting. Zie instructies in het hoofdstuk "Persoonlijke veiligheidsuitrusting".



Alle verplaatsingen van de machine buiten het zaaggebied dienen te geschieden met niet-roterend zaagblad.



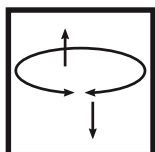
Verwijder het blad alvorens de machine te hijsen, laden, lossen en transporteren.



De pijl op de gereedschapsbescherming geeft de draairichting van het gereedschap aan.



Op en neer bokken



De beschermkappen moeten altijd op de machine zijn gemonteerd. Zorg er altijd voor dat het zaagblad niet meer dan 180° buiten de beschermkap uitsteekt.



Controleer de snijtrusting. Gebruik nooit botte, gebarsten of beschadigde uitrusting.



De slijpschijven dienen gemerkt te zijn met hetzelfde of een hoger toerental dan op het typeplaatje van de machine staat. Een zaagblad met een te hoge snelheid kan breken of ernstig letsel veroorzaken.



Gebruik de machine niet in de buurt van ontvlambare stoffen of gassen.



WAARSCHUWING! Bij het zagen treedt stofvorming op, die schadelijk kan zijn bij inademing. Gebruik een goedgekeurd stofmasker. Probeer geen benzinedampen en uitlaatgassen in te ademen. Zorg voor goede ventilatie.



Warm oppervlak.



Machinegevaar! Houd alle lichaamsdelen altijd buiten het bereik van het zaagblad en van alle andere bewegende onderdelen.



Snijgevaar. Houd alle lichaamsdelen uit de buurt van de snijtrusting.



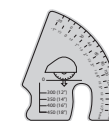
Transmissie stop



Handrem Geactiveerd/
gedeactiveerd



Zaagdiepte-indicator



Vul de tank alleen met water



Houd de zaag horizontaal, zonder zaagblad, bij het controleren van het oliepeil.



Maak bij het optillen van de machine altijd gebruik van het aanwezige hijs oog.



Dit product voldoet aan de geldende CE-richtlijnen. Indien op de machine aangegeven.



Geluidsemissie naar de omgeving volgens de richtlijnen van de Europese Gemeenschap. De emissie van de machine wordt aangegeven in het hoofdstuk Technische gegevens en op plaatjes.



FS400 LV

Husqvarna
FS 400 LV

VERKLARING VAN DE SYMBOLEN

Typeplaatje

A: Fabrikaat

B: Fabrikant, adres

C: Type

D: Productiedatum, jaar, week
Serienummer

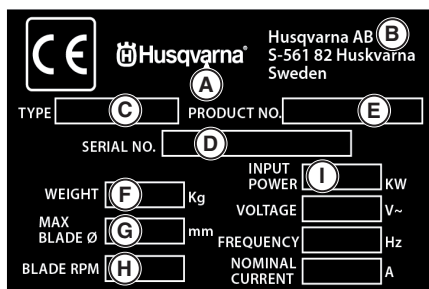
E: Productnummer

F: Gewicht

G: Bladformaat – max., mm

H: Toerental, mes, omw./min

I: Ingangsvermogen max (kW)



Overige op de machine aangegeven symbolen/plaatjes verwijzen naar specifieke eisen aan certificering op bepaalde markten.

Toelichting op de waarschuwniveaus

De waarschuwingen zijn onderverdeeld in drie niveaus.

WAARSCHUWING!



WAARSCHUWING! Wordt gebruikt indien er een risico bestaat op ernstig of fataal letsel voor de gebruiker of schade aan de omgeving wanneer de instructies in de handleiding niet worden gevolgd.

VOORZICHTIG!



VOORZICHTIG! Wordt gebruikt indien er een risico bestaat op letsel voor de gebruiker of schade aan de omgeving wanneer de instructies in de handleiding niet worden gevolgd.

LET OP!

LET OP! Wordt gebruikt indien er een risico bestaat op schade aan materialen of de machine wanneer de instructies in de handleiding niet worden gevolgd.

INHOUD

Inhoud

VERKLARING VAN DE SYMBOLEN

Symbolen op de machine:	91
Toelichting op de waarschuwingsniveaus	92

INHOUD

Inhoud	93
--------------	----

PRESENTATIE

Beste klant!	94
Kenmerken	94

PRESENTATIE

Wat is wat op de machine?	95
---------------------------------	----

VEILIGHEIDSUITRUSTING VOOR DE MACHINE

Algemeen	96
----------------	----

MONTAGE EN AFSTELLINGEN

Algemeen	97
Zaagblad monteren	97
Hoogte handgreep	97
Zaagdiepte-indicator	97
Handrem	98

SLIJPSCHIJVEN

Algemeen	99
Waterkoeling	99
Diamantzagen voor verschillende materialen	99
Zaagblad controleren	99
Transport en opbergen	99

BRANDSTOFHANTERING

Algemeen	100
Brandstof	100
Tanken	100

BEDIENING

Veiligheidsuitrusting	101
Algemene veiligheidsinstructies	101
Transport en opbergen	102

STARTEN EN STOPPEN

Voor de start	103
Starten	103
Stoppen	103

ONDERHOUD

Algemeen	104
Onderhoudsschema	104
Schoonmaken	104
Functionele inspectie	105
Smeren	105
Versleten product	106

TECHNISCHE GEGEVENS

Technische gegevens	107
EG-verklaring van overeenstemming	108

Beste klant!

Hartelijk dank dat u voor een Husqvarna-product hebt gekozen!

Wij hopen dat u tevreden zult zijn met uw machine en dat deze u gedurende lange tijd zal vergezellen. Met de aankoop van een van onze producten krijgt u de beschikking over professionele hulp voor reparaties en service. Als u uw machine niet hebt gekocht bij één van onze erkende dealers, vraag hen dan waar de dichtstbijzijnde erkende werkplaats is.

Deze gebruiksaanwijzing is een waardevol document. Zorg dat u hem altijd bij de hand hebt op de werkplek. Door de inhoud (gebruik, service, onderhoud enz.) te volgen kunt u de levensduur van uw machine én de tweedehands waarde aanzienlijk verlengen. Mocht u uw machine verkopen moet u ervoor zorgen de gebruiksaanwijzing aan de nieuwe eigenaar over te dragen.

Meer dan 300 jaar innovatie

Husqvarna AB is een Zweeds bedrijf met een geschiedenis die teruggaat tot 1689, toen de Zweedse koning Karl XI een fabriek liet bouwen voor de productie van musketten. Op dat moment was de basis al gelegd voor de constructievaardigheden die ten grondslag liggen aan de ontwikkeling van een aantal producten die wereldwijd toonaangevend zijn, zoals jachtwapens, fietsen, motorfietsen, huishoudelijke apparatuur, naaimachines en buitenproducten.

Husqvarna is wereldleider op het gebied van elektrische buitenproducten voor bosbouw, park-, gazon- en tuinonderhoud, alsmede zaagapparatuur en diamantgereedschap voor de bouw- en steenindustrie.

Verantwoordelijkheid gebruiker

Het is de verantwoordelijkheid van de eigenaar/gebruiker om ervoor te zorgen dat de gebruiker voldoende weet over een veilig gebruik van de machine. Leidinggevenden en gebruikers moeten de gebruiksaanwijzing hebben gelezen en begrepen. Ze moeten op de hoogte zijn van:

- De veiligheidsinstructies voor de machine.
- De mogelijke toepassingen en de beperkingen van de machine.
- De manier waarop de machine moet worden gebruikt en onderhouden.

Mogelijk zijn er nationale wettelijke voorschriften van toepassing op het gebruik van deze machine. Onderzoek welke wetgeving van toepassing is op de plaats waar u werkt voordat u de machine in gebruik neemt.

Specifieke bepalingen van de fabrikant.

Alle informatie en gegevens in deze gebruiksaanwijzing waren van toepassing op de datum dat deze gebruiksaanwijzing ter perse ging.

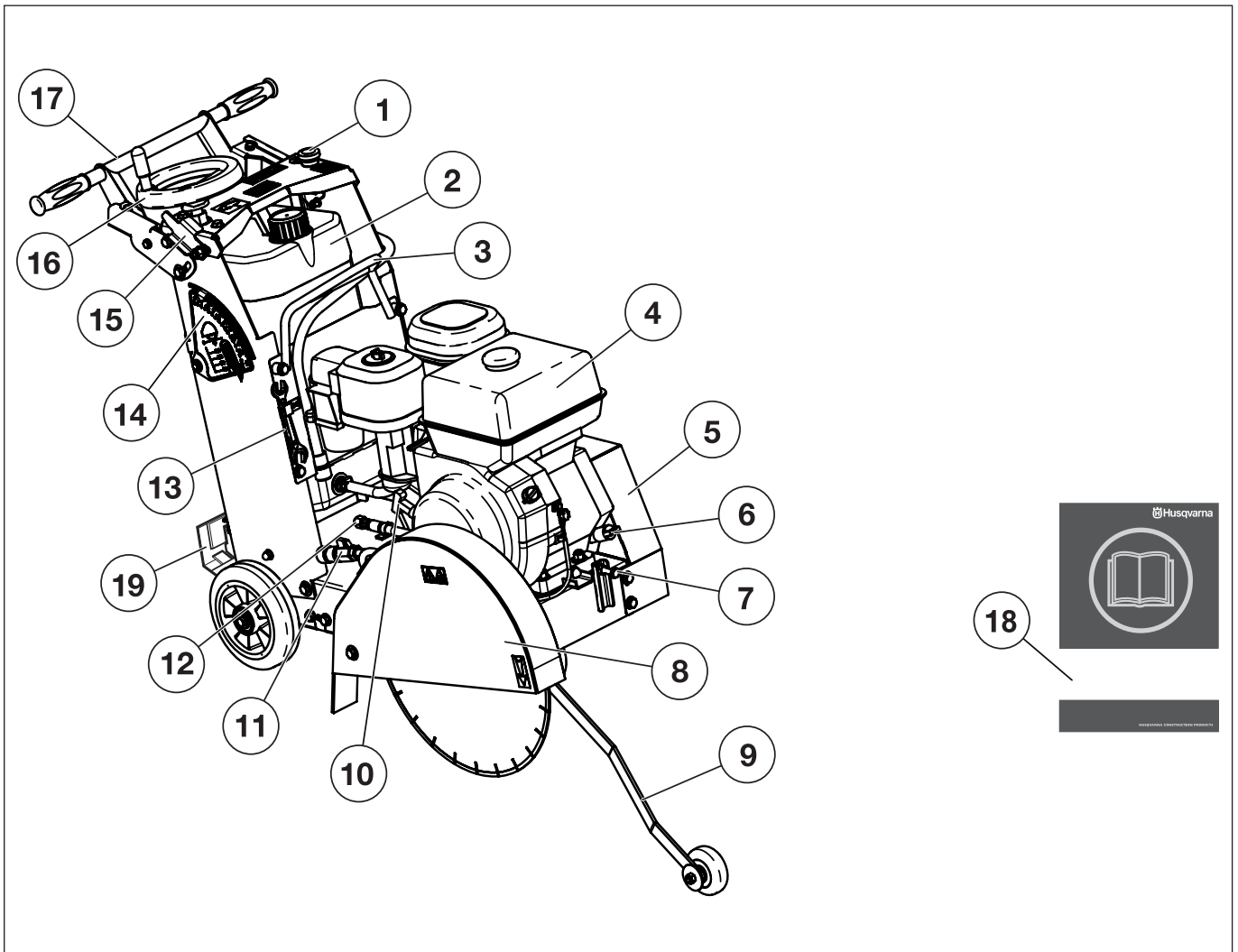
Husqvarna AB werkt voortdurend aan het verder ontwikkelen van haar producten en houdt zich dan ook het recht voor om zonder aankondiging vooraf wijzigingen in o.a. vorm en uiterlijk door te voeren.

Kenmerken

De producten van Husqvarna onderscheiden zich door waarden zoals hoge prestaties, betrouwbaarheid, innovatieve technologie, geavanceerde technische oplossingen en milieuoverwegingen.

Hieronder worden enkele unieke kenmerken van uw product beschreven.

PRESENTATIE



Wat is wat op de machine?

- | | |
|--------------------------------|---------------------------------|
| 1 Noodstopknop van de machine | 11 Waterkraan |
| 2 Watertank | 12 Aftap, motorolie |
| 3 Hefoog | 13 Gereedschapssleutel |
| 4 Brandstoftank | 14 Zaagdiepte-indicator |
| 5 Beschermkap - aandrijfriem | 15 Vergrendelhendel, zaagdiepte |
| 6 Olie bijvullen | 16 Handwiel, zaagdiepte |
| 7 Spannerschroef, aandrijfriem | 17 Handvat |
| 8 Schijfbeschermer | 18 Gebruiksaanwijzing |
| 9 Frontgeleider | 19 Handrem |
| 10 Starthendel | |

VEILIGHEIDSUITRUSTING VOOR DE MACHINE

Algemeen



WAARSCHUWING! Gebruik nooit een machine als de veiligheidsonderdelen kapot zijn. Als uw machine niet door alle controles komt, moet u ermee naar uw servicewerkplaats voor reparatie.

Zorg dat de motor is uitgeschakeld en dat de stopschakelaar in de STOP-stand staat.

In dit hoofdstuk wordt verklaard wat de veiligheidsonderdelen van de machine zijn, welke functie ze hebben en hoe de controle en het onderhoud moeten uitgevoerd worden om hun goede werking veilig te stellen.

Noodstopknop van de machine

De machinestopknop dient om de motor en alle elektrische functies, met uitzondering van de verlichting, snel uit te schakelen.

De machinenoodstopknop testen

- Druk op de machinenoodstopknop en controleer of de motor stopt.
- Schakel de machinestopknop uit (rechtsom draaien).

Schijfbeschermer



WAARSCHUWING! Controleer altijd of de zaagbescherming juist is aangebracht voor u de machine start.

De bladbeschermkap is zo geconstrueerd dat wordt verhinderd dat delen van de schijf of het doorgezaagde materiaal naar de gebruiker worden geslingerd.

De bladbeschermkap controleren

Controleer de bladbeschermkap op beschadigingen en barsten. Vervang de bladbeschermkap indien deze terugslag te verduren heeft gehad of barsten vertoont.

Controleer altijd of de beschermkap juist is aangebracht voor u de machine start. Controleer ook of het zaagblad juist is gemonteerd en onbeschadigd is. Een beschadigd zaagblad kan persoonlijk letsel veroorzaken.

Geluiddemper



WAARSCHUWING! Gebruik de machine nooit zonder geluiddemper of met een defecte geluiddemper. Door een kapotte geluiddemper kunnen het geluidsniveau en het risico van brand aanzienlijk toenemen. Hou gereedschap voor brandblussen bij de hand.

De geluiddemper wordt zeer heet, zowel tijdens het gebruik als na het stoppen. Dit geldt ook bij stationair draaien. Wees oplettend op brandgevaar, vooral bij hantering vlakbij brandgevaarlijke stoffen en/of gassen.

De geluiddemper werd ontworpen om het geluidsniveau zo laag mogelijk te houden, en om de uitlaatgassen weg te richten van de gebruiker.

Controle van geluiddemper

Controleer regelmatig of de geluiddemper heel is en of deze goed vast zit.

MONTAGE EN AFSTELLINGEN

Algemeen

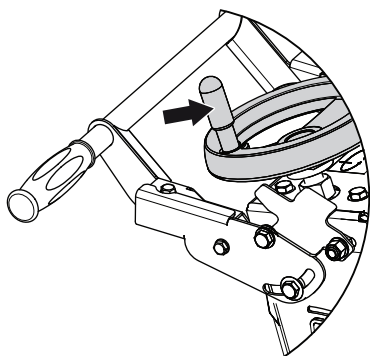


WAARSCHUWING! Controle en/of onderhoud moeten worden uitgevoerd als de motor uit staat.

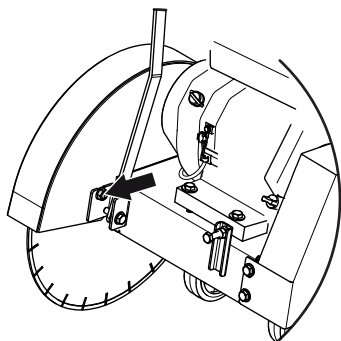
Controleer of het zaagblad en de beschermkap correct zijn gemonteerd voordat u de machine start.

Zaagblad monteren

- Draai het handwiel van de zaagdiepte rechtsom.



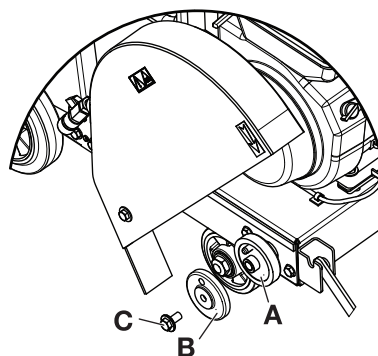
- Schakel de wateraftap uit. Koppel de waterslang los van de bladbeschermkap.
- Draai de moer aan de voorkant los en kantel de bladbeschermkap in de onderhoudsstand.



WAARSCHUWING! Controleer of het zaagblad, de bladflens en de bladas onbeschadigd zijn. Reinig de contactvlakken van het zaagblad en de bladflens. Controleer of het blad en de flenzen schoon zijn, en vrij van vuil en materiaalresten voordat u het blad in de machine monteert.

- Controleer de draairichting van de schijf. De pijl op het zaagblad geeft de draairichting aan.

- Monteer het zaagblad op de bladas (A). Monteer de bladflens (B) op het zaagblad. Zorg ervoor dat de borgpen op de flens (A) door het blad heen steekt tot in de flens (B). Draai de schroef (C) goed vast met de meegeleverde sleutel.

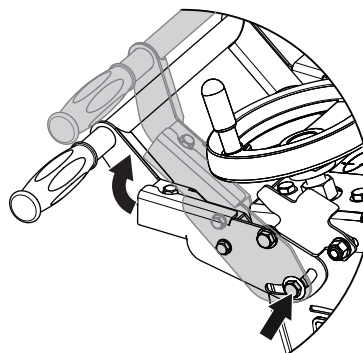


- Breng de bladbeschermkap en de waterslang in omgekeerde volgorde aan ten opzichte van het demonteren.

Hoogte handgreep

De hendel is in hoogte verstelbaar.

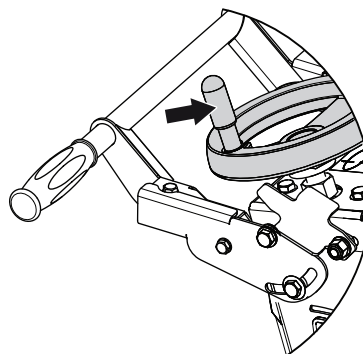
- Maak de bout los. Stel het handvat af op de meest comfortabele werkhoogte. Draai de schroef vast.



Zaagdiepte-indicator

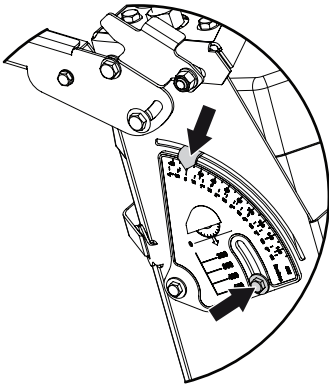
De indicator moet worden gekalibreerd voordat deze in gebruik kan worden genomen.

- Breng het zaagblad omlaag totdat het bijna de grond raakt.



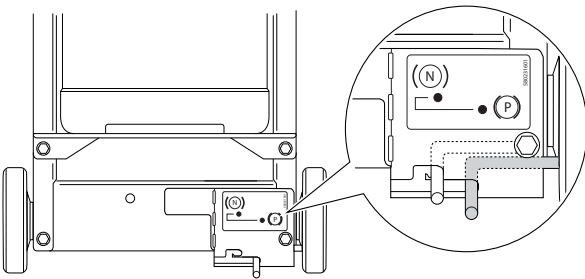
MONTAGE EN AFSTELLINGEN

- Maak de bout los. Zet de indicatiepijl op '0'. Draai de schroef vast.



Handrem

Schakel de parkeerrem in.



Algemeen

- Diamantzaagbladen hebben een stalen blad voorzien van segmenten die industriële diamanten bevatten.
- Gebruik altijd een scherpe diamantzaag.
- De slijpschijven dienen gemerkt te zijn met hetzelfde of een hoger toerental dan op het typeplaatje van de machine staat.
- Gebruikt nooit andere dan voor de machine bedoelde originele slijpschijven.

Waterkoeling

U moet altijd waterkoeling gebruiken. Hierdoor worden de slijpschijven gekoeld, hun levensduur neemt toe en de stofvorming wordt minder.

Diamantzagen voor verschillende materialen



Husqvarna biedt een breed assortiment zaagbladen voor het natzagen van vloeren en wanden. Dit omvat zaagbladen voor alle doeleinden, van nieuw tot uitgehard beton in verschillende hardheidsklassen en een uitgebreid aanbod van asfaltzaagbladen. Informeer bij uw Husqvarna dealer welk zaagblad het meest geschikt is voor uw toepassing.

Zaagblad controleren

- Controleer de schijf en de schijfbeschermer op beschadigingen en barsten. Vervang de schijf of de schijfbeschermer als hij terugslag te verduren heeft gehad of barsten vertoont. Gebruik nooit een beschadigde of versleten schijf.
- Controleer of de juiste hoeveelheid water bij het zaagblad komt.

Transport en opbergen

- Kijk nieuwe slijpschijven na op transport- of opslagschade.
- Het zaagblad moet na gebruik van de machine worden gehaald en goed worden opgeborgen. Bewaar het zaagblad droog.

BRANDSTOFHANTERING

Algemeen



WAARSCHUWING! Een motor laten lopen in een afgesloten of slecht geventileerde ruimte kan dodelijke ongelukken veroorzaken door verstikking of koolmonoxidevergiftiging.

Brandstof en brandstofdampen zijn zeer brandgevaarlijk en kunnen leiden tot ernstig letsel bij inademing en contact met de huid. Wees daarom voorzichtig wanneer u met brandstof werkt en zorg voor goede luchtventilatie bij de brandstofhantering.

De uitlaatgassen van de motor zijn heet en kunnen vonken bevatten die brand kunnen veroorzaken. Start de machine daarom nooit binnenshuis of in de buurt van licht ontvlambaar materiaal!

Rook niet en plaats ook geen warm voorwerp in de buurt van de brandstof.

Brandstof

LET OP! De machine heeft een viertaktmotor. Zorg ervoor dat er altijd voldoende olie in de motor zit.

Benzine

- Gebruik loodvrije of gelode benzine van een hoge kwaliteit.
- Het aanbevolen laagste octaangehalte is 90 (RON). Indien u de motor laat lopen op benzine met een lager octaangehalte dan 90, kan het zogenaamde kloppen optreden. Hierdoor stijgt de motortemperatuur wat tot zware motorbeschadigingen kan leiden.

Motorolie

- Controleer het oliepeil voordat u de machine start. Een te laag oliepeil kan ernstige schade aan de motor veroorzaken. Zie de instructies in het hoofdstuk "Onderhoud".
- Gebruik nooit olie bedoeld voor tweetaktmotoren.

Tanken



WAARSCHUWING! Stop de motor en laat hem voor het tanken enkele minuten afkoelen.

Open de dop van de tank voorzichtig wanneer u wilt tanken zodat eventuele overdruk langzaam verdwijnt.

Maak de omgeving rond de tankdop schoon.

Draai de dop van de tank goed vast na het tanken.

Verplaats de machine ten minste 3 m van de tankplaats voor u de motor start.

Start de machine nooit:

- Indien u brandstof of motorolie op de machine hebt gemorst. Droog alles af en laat de benzineresten verdampen.
- Als u brandstof op uzelf of op uw kleding gemorst heeft, trek schone kleding aan. Was de lichaamsdelen die in contact zijn geweest met brandstof. Gebruik water en zeep.
- Als de machine brandstof lekt. Controleer de tankdop en de brandstofleidingen regelmatig op lekkage.

Transport en opbergen

- Bewaar en vervoer de machine en brandstof zo, dat eventuele lekkage en dampen niet in contact kunnen komen met vonken of open vuur, bijvoorbeeld van elektrische machines, elektrische motoren, stopcontacten/schakelaars, verwarmingsketels e.d.
- Bij opslag en vervoer van brandstof moeten altijd speciaal voor dat doel bestemde en goedgekeurde tanks worden gebruikt.

Opslag voor lange tijd

- Als de machine gedurende lange tijd niet gebruikt zal worden, moet de brandstoftank leeggemaakt worden. Vraag bij uw tankstation of bij de gemeente waar u de afgetapte brandstof kwijt kan.

Veiligheidsuitrusting

Algemeen

- Gebruik de machine nooit zonder de mogelijkheid hulp in te roepen in geval van nood.

Persoonlijke veiligheidsuitrusting

Bij al het gebruik van de machine moet goedgekeurde persoonlijke beschermingsuitrusting gebruikt worden. Persoonlijke beschermingsuitrusting elimineert de risico's niet, maar vermindert het schadelijk effect in geval van een ongeval. Vraag uw dealer om raad wanneer u uw uitrusting koopt.



WAARSCHUWING! Het gebruik van producten die materiaal snijden, schuren, boren, polijsten of vormen, kan stof en dampen genereren die schadelijke chemicaliën kunnen bevatten. Zoek uit hoe het materiaal waarmee u werkt is samengesteld en draag een geschikt stofmasker.

Langdurige blootstelling aan lawaai kan leiden tot permanente gehoorbeschadiging. Gebruik daarom altijd goedgekeurde gehoorbescherming. Wees altijd bedacht op waarschuwingssignalen of geroep wanneer u gehoorbescherming gebruikt. Doe de gehoorbescherming altijd af zodra de motor is gestopt.

Draag altijd:

- Goedgekeurde veiligheidshelm.
- Goedgekeurde gehoorbeschermers.
- Veiligheidsbril of vizier.
- Stofmasker.
- Nauwsluitende, sterke en prettige kleding die volledige bewegingsvrijheid toelaat.
- Laarzen met stalen neus en anti-slip zool.

Andere beschermingsuitrusting

BELANGRIJK! Tijdens het werken met de machine kunnen vonken ontstaan en brand veroorzaken. Houd daarom altijd brandblusapparatuur bij de hand.

- Brandblusser.
- U moet altijd een EHBO-kit bij de hand hebben.

Algemene veiligheidsinstructies

In dit hoofdstuk worden de basisveiligheidsregels voor het gebruik van de machine behandeld. De gegeven informatie kan nooit de kennis vervangen die een vakman via opleidingen en praktische ervaring heeft verworven.

- Neem de gebruiksaanwijzing grondig door en gebruik de machine niet voor u alles duidelijk heeft begrepen.

- Denk erom dat de operator verantwoordelijk is voor ongelukken of beschadigingen van andere mensen of hun eigendommen.
- Houd de machine schoon. Aanduidingen en stickers moeten volledig leesbaar zijn.

Gebruik altijd uw gezond verstand

Het is niet mogelijk om elke mogelijke situatie te vermelden. Wees altijd voorzichtig en gebruik uw gezond verstand. Als u in een situatie belandt waarin u zich niet veilig voelt, dient u een expert te raadplegen. Wend u tot uw dealer, uw servicewerkplaats of een ervaren gebruiker. Onderneem geen werkzaamheden waarvoor u zich onvoldoende gekwalificeerd acht!



WAARSCHUWING! Wanneer de machine onjuist of slordig wordt gebruikt, kan het een gevaarlijk gereedschap zijn, dat ernstig letsel of overlijden van de gebruiker of anderen kan veroorzaken.

Laat kinderen of andere personen die niet zijn opgeleid om met de machine om te gaan, deze nooit gebruiken of onderhouden.

Laat nooit een ander de machine gebruiken zonder u ervan te verzekeren dat ze de inhoud van de gebruiksaanwijzing hebben begrepen.

Gebruik de machine nooit als u moe bent, alcohol heeft gedronken of medicijnen heeft ingenomen, die uw gezichtsvermogen, beoordelingsvermogen of coördinatievermogen kunnen beïnvloeden.



WAARSCHUWING! Niet goedgekeurde wijzigingen en/of niet-originele onderdelen kunnen tot ernstige verwondingen of het overlijden van zowel gebruiker of anderen leiden. De oorspronkelijke vormgeving van de machine mag in geen enkel geval gewijzigd worden zonder toestemming van de fabrikant.

Wijzig deze machine nooit zo dat hij niet langer overeenstemt met de originele uitvoering, en gebruik de machine niet als u denkt dat anderen hem hebben gewijzigd.

Gebruik nooit een machine die defect is. Voer de in deze handleiding beschreven veiligheidscontroles en de onderhouds- en service-instructies uit. Bepaalde onderhouds- en servicemaatregelen moeten door opgeleide en gekwalificeerde specialisten worden uitgevoerd. Zie de instructies in het hoofdstuk Onderhoud.

Men moet altijd originele onderdelen gebruiken.

BEDIENING



WAARSCHUWING! Deze machine produceert tijdens bedrijf een elektromagnetisch veld. Dit veld kan onder bepaalde omstandigheden de werking van actieve of passieve medische implantaten verstoren. Om het risico op ernstig of fataal letsel te beperken, raden we personen met een medisch implantaat aan om contact op te nemen met hun arts en de fabrikant van het medische implantaat voordat ze deze machine gaan bedienen.

Veiligheid op de werkplek

- Houd uw omgeving in de gaten om ervoor te zorgen dat u de macht over de machine niet verliest door onverwachte gebeurtenissen.
- Zorg ervoor dat niets/niemand in contact kan komen met de snijuitrusting of door materiaal kan worden geraakt dat door het blad wordt weggeslingerd.
- Gebruik de motorkettingzaag niet in ongunstige weersomstandigheden. B.v. bij dichte mist, hevige regen, harde wind, hevige koude enz. Werken in slechte weersomstandigheden is vermoeiend en kan tot gevaarlijke situaties leiden, zoals een gladde ondergrond.
- Begin nooit met de machine te werken voordat het werkterrein ontruimd is en u stevig staat. Kijk of er eventuele obstakels zijn wanneer een onverwachte verplaatsing optreedt. Verzeker u ervan dat er geen materiaal naar beneden kan vallen en verwondingen kan veroorzaken terwijl u met de machine werkt. Neem grote voorzichtigheid in acht bij het werken op hellend terrein.
- Verzeker u ervan dat het werkterrein voldoende verlicht is om een veilige werkomgeving te creëren.
- Verzeker u ervan dat zich op de werkplek of in het te zagen materiaal geen leidingen of elektrische kabels bevinden.
- Controleer of de elektrische leidingen binnen het werkgebied stroomloos zijn.

Basistechniek



WAARSCHUWING! De bladas draait wanneer de machine wordt getornd of gestart.

- Deze machine is ontworpen en bedoeld voor het zagen van nieuw en uitgehard beton in verschillende hardheidsklassen en asfalt. Toepassing van de machine op enige andere wijze wordt beschouwd als tegengesteld aan het bedoelde gebruik.
- Zaag altijd op een zodanige wijze dat de noodstopknop van de machine gemakkelijk te bereiken is.
- Controleer of er geen gereedschap of andere voorwerpen op de machine zijn blijven liggen.
- Laat de machine nooit zonder toezicht met draaiende motor achter.
- Controleer altijd of de zaagbescherming juist is aangebracht voor u de machine start. Zaag nooit zonder gebruik van de schijf

- Voor het zagen moeten alle sneden, die moeten worden gemaakt, duidelijk worden aangegeven en gepland, zodat ze zonder gevaar voor mens of machine kan worden gemaakt.
- Kantel, draai of beweeg de machine niet zijwaarts met draaiend zaagblad.
- Zeker of veranker betonblokken goed voordat u gaat zagen. Het hoge gewicht van gezaagd materiaal kan zware schade aan de machine en ernstig letsel veroorzaken als het niet onder gecontroleerde omstandigheden kan worden verplaatst.
- Zorg er altijd voor dat er nog iemand aanwezig is wanneer u de machines gebruikt, zodat u om hulp kunt roepen mocht een ongeluk plaatsvinden.

Transport en opbergen

- De machine is voorzien van transportwielletjes en kan eenvoudig worden verplaatst zonder de motor in te schakelen. Zorg ervoor dat het zaagblad zich in de bovenste stand bevindt voordat u de machine verplaatst.
- Demonteer het blad voordat u de machine vervoert of opslaat.
- Wees voorzichtig met tillen. U gaat om met zware delen, wat risico van beknelling en ander letsel inhoudt.
- Maak bij het optillen van de machine altijd gebruik van het aanwezige hijsorgaan.
- Zet de apparatuur tijdens vervoer goed vast om transportschade en ongelukken te voorkomen.
- Zie het hoofdstuk "Brandstofhantering" voor informatie over het vervoer en opslaan van brandstof.
- Zie het hoofdstuk "Zaagbladen" voor informatie over het vervoeren en opbergen van zaagbladen.
- Sla de apparatuur op in een afsluitbare ruimte zodat het buiten het bereik is van kinderen en onbevoegde personen.
- Bij vorstgevaar moet eventueel achtergebleven water in de machine worden afgetapt.

STARTEN EN STOPPEN

Voor de start

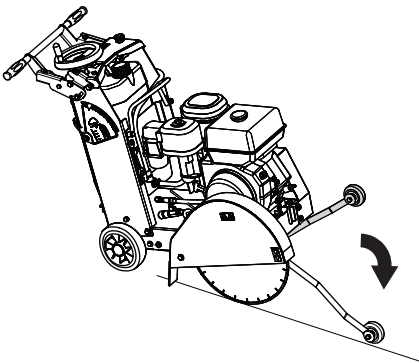


WAARSCHUWING! Neem de gebruiksaanwijzing grondig door en gebruik de machine niet voor u alles duidelijk heeft begrepen.

Draag altijd persoonlijke veiligheidsuitrusting. Zie instructies in het hoofdstuk "Persoonlijke veiligheidsuitrusting".

Zorg ervoor dat zich geen onbevoegden binnen het werkgebied bevinden, anders bestaat er risico voor ernstige verwondingen.

- Voer dagelijks onderhoud uit. Zie de instructies in het hoofdstuk "Onderhoud".
- Vul de watertank of sluit de machine aan op een watertoevoerbron.
- Markeer de te maken zaagsneden.
- Controleer of de voorste geleider is uitgelijnd met het blad.
- Leg een liniaal langs de binnenste flens. Lijn de voorste geleider uit langs de liniaal. Stel indien nodig de voorste geleider af door de moeren los te draaien waarmee het geleidewiel vastzit. Lijn het geleidewiel uit langs de liniaal en draai de moeren weer vast.
- Laat de voorgeleiding neer en lijn de machine uit met de markering.



Starten

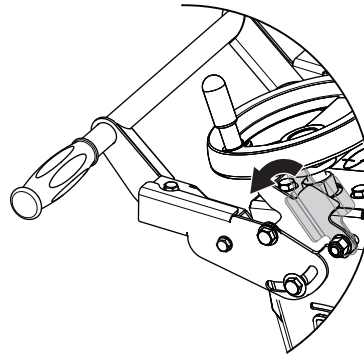
Starten van de motor

- Lees de bedieningshandleiding van de motorfabrikant door.

Beginnen met zagen

- Open de wateraftap.
- Controleer of de waterleidingen in de bladbeschermkap open zijn en of er voldoende water naar elke zijde van het blad wordt gevoerd.
- Test de watertoevoer op druk en hoeveelheid (debiet) voordat u de zaag start.
- Laat de motor draaien met het gas volledig open.

- Laat de regeling van de wielvergrendeling voor de zaagdiepte-instelling zakken.



- Zaag slechts zo diep als vereist is voor de klus. Als u dieper zaagt dan nodig is, slijten het blad en de machine meer.
- Maak een geleidende snede, ongeveer 20-30 mm (1 inch) diep.
- Snijd steeds 50 mm (2 inches) dieper, totdat de gewenste snedediepte is bereikt. Dit heet ook wel 'stapsgewijs zagen'.
- Breng de regeling van de wielvergrendeling voor de zaagdiepte-instelling omhoog.
- Zaag alleen in een rechte lijn. Markeer de zaaglijn duidelijk zodat de gebruiker van de zaag de zaaglijn gemakkelijk kan volgen.
- Duw de machine langzaam naar voren. Zorg ervoor dat de voorgeleiding en het zaagblad niet van de markering afwijken.

LET OP! De zaag mag NIET zijwaarts worden verdraaid om het blad weer op de lijn te brengen.

Stoppen

Stoppen met zagen.

- Laat de regeling van de wielvergrendeling voor de zaagdiepte-instelling zakken. Draai het zaagblad uit de groef.
- Breng de regeling van de wielvergrendeling voor de zaagdiepte-instelling omhoog.
- Schakel de wateraftap uit.

Afzetten van de motor

- Lees de bedieningshandleiding van de motorfabrikant door.
- Druk op de machinenoodstopknop en controleer of de motor stopt.

ONDERHOUD

Algemeen



WAARSCHUWING! De gebruiker mag alleen die onderhouds- en servicewerkzaamheden uitvoeren die in deze gebruiksaanwijzing worden beschreven. Meer ingrijpende maatregelen moeten door een erkende servicewerkplaats worden uitgevoerd.

Controle en/of onderhoud moeten worden uitgevoerd als de motor uit staat.

Draag altijd persoonlijke veiligheidsuitrusting. Zie instructies in het hoofdstuk "Persoonlijke veiligheidsuitrusting".

De levensduur van de machine kan worden verkort en het risico van ongelukken kan toenemen wanneer het onderhoud aan de machine niet op de juiste manier wordt uitgevoerd en wanneer service en/of reparaties niet vakkundig worden gedaan. Indien u meer informatie nodig heeft, verzoeken wij u contact op te nemen met de dichtstbijzijnde servicewerkplaats.

- Laat de machine regelmatig controleren door uw Husqvarna-leverancier en laat hem de nodige aanpassingen en reparaties uitvoeren.

Onderhoudsschema

In het onderhoudsschema kunt u zien welke onderdelen van uw machine onderhoud nodig hebben en hoe vaak. De onderhoudsintervallen zijn gebaseerd op dagelijks gebruik van de machine en kunnen dus afwijken op basis van de gebruiksfrequentie.

Dagelijks onderhoud
Schoonmaken
Reiniging buitenzijde
Luchtfilter
Bezinkkolf
Functionele inspectie
Algemene inspectie
Motorolie
Aandrijfriem
Maskinstopp*
Beschermkap*
Geluiddemper*
Blad**
Smeren
Bladas, dagelijks
Smeer dagelijks de nippel voor het zaagdiepte-instelsysteem

* Zie de instructies in het hoofdstuk "Veiligheidsuitrusting voor de machine".

** Zie de instructies in het hoofdstuk "Slijpschijven" en "Montage en instellingen".

Schoonmaken

Reiniging buitenzijde

- Controleer of alle koppelstukken, aansluitingen en kabels intact en schoon zijn.
- Het zaagblad wordt gekoeld door water dat door kleine gaatjes in de bladbeschermkap wordt gespreid. Zorg ervoor dat deze gaatjes open zijn, zodat het zaagblad goed gekoeld kan worden.

Luchtfilter

Voor het reinigen en vervangen van het luchtfilter leest u de gebruikershandleiding die is meegeleverd door de fabrikant van de motor.

- Het luchtfilter moet mogelijk 2-3 keer per dag worden gereinigd in zeer stoffige omgevingen.
- Een beschadigd luchtfilter moet altijd vervangen worden.



N.B.! Het filter mag niet met perslucht worden gereinigd, hierdoor raakt het filter beschadigd. Filters kunnen met een stofzuiger worden gereinigd. Pas hierbij op dat het oppervlak niet wordt geraakt en dat er geen voorwerpen door het oppervlak komen, hierdoor raakt het filter beschadigd.

Papieren filters moeten correct worden afgevoerd en worden vervangen.

Een polyester filter kan door stofzuigen worden gereinigd of door lagedrukreiniging.

Gebruik geen hogedrukreiniging, hierdoor raakt het filter beschadigd.

Een beschadigd luchtfilter moet altijd vervangen worden.

Een gereinigd filter moet 100% droog zijn voordat het weer op de machine wordt aangebracht.

Bougie

- Als het vermogen van de machine laag is, als de machine moeilijk start of ongelijk stationair loopt: controleer altijd eerst de bougie voor u andere maatregelen neemt.
- Zorg ervoor dat ontsteker en ontstekingskabel onbeschadigd zijn om het risico van elektrische stoten te voorkomen.
- Als de bougie vuil is, reinigt u deze en controleert u ook meteen de elektrodenafstand. Vervang indien nodig. Zie de meegeleverde handleiding van de motor.

N.B.!

Gebruik steeds het correcte bougietype! Andere types kunnen de zuiger/cilinder beschadigen.

Deze factoren veroorzaken afzettingen op de elektroden van de bougie, wat tot motordefecten en startmoeilijkheden kan leiden.

ONDERHOUD

- Een verkeerd oliemengsel in de brandstof (te veel of verkeerde olie).
- Een vuil luchtfilter.

Functionele inspectie

Algemene inspectie

- Controleer of de bouten en moeren zijn vastgedraaid.

Motorolie

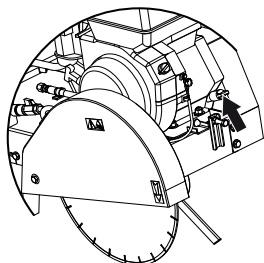


VOORZICHTIG! Bedenk dat de olie schadelijk kan zijn voor gezondheid en milieu. Volg de plaatselijke voorschriften voor afvalverwerking en recycling op.

Voor het vervangen van de motorolie leest u de gebruikershandleiding die is meegeleverd door de fabrikant van de motor.

Controle van het oliepeil van de motor

- De motor moet horizontaal worden geplaatst om het oliepeil te kunnen controleren. Demonteer het zaagblad of neem andere maatregelen om de machine te kantelen, zodat de motor zich in een horizontale positie bevindt.
- Controleer het oliepeil en vul bij indien nodig. Het oliepeil mag nooit lager staan dan de onderste markering op de peilstok, zie de handleiding van de motor.



- Gebruik HUSQVARNA motorolie voor het beste resultaat en werking.
- Indien geen HUSQVARNA motorolie verkrijgbaar is, kan andere motorolie van hoge kwaliteit worden gebruikt. Gebruik motorolie SAE 10W-30, klasse API, MS, SD, SE of hoger.
- Gebruik nooit olie bedoeld voor tweetaktmotoren.

Aandrijfriem

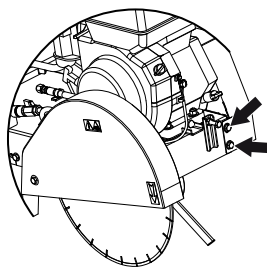
LET OP! Span de aandrijfriem niet te strak.

- Controleer of de aandrijfriem heel en zonder zichtbare defecten is.

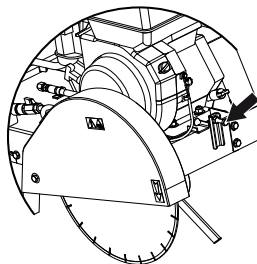
Spannen van de aandrijfriem

Een nieuwe aandrijfriem moet nog een keer worden opgespannen wanneer een of twee tanks met brandstof zijn verbruikt.

- Draai de schroeven van de riembeschermer los. Verwijder de kap.



- Draai de schroeven los waarmee de motor op zijn plaats wordt gehouden.
- Draai de spannerschroef een kwartslag. De motor wordt naar achteren geduwd en de riem wordt aangespannen.



- Zorg ervoor dat de riempoelies parallel staan en met elkaar zijn uitgelijnd. Haal de schroeven aan waarmee de motor is bevestigd en draai de spannerschroef 2 slagen los om te voorkomen dat deze in contact komt met het motorblok. Monteer de riembescherming en draai de schroeven die de riembescherming op haar plaats houden vast.

Brandstofsysteem

Algemeen

- Controleer of het tankdeksel en de afdichting onbeschadigd zijn.
- Controleer de brandstofleiding.

Smeren

Bladas

- Smeer de bladas dagelijks. Sluit het smeerpistool aan en pomp 3 à 5 keer of totdat vet zichtbaar is aan het uiteinde. Gebruik alleen DIN 51825 vetclassificatie K2K-30 of K3K-30.

Smeernippel voor zaagdiepte-instelsysteem

Smeer dagelijks de smeerpunten voor de zaagdiepte-instelling.

Moer voor invoer van zaagdiepte

Smeer de invoerschroef een aantal cm boven en onder de moer en verstel de zaag een aantal keren omhoog en omlaag om het vet te verspreiden.

Versleten product

Deze machine is zo gebouwd dat hij jarenlang kan meegaan. Hierdoor wordt de impact van de machine op het milieu tot een minimum beperkt. Voer service en onderhoud uit volgens de aanwijzingen in deze handleiding. Daardoor gaat de motor langer mee en worden gevaarlijke emissies tot een minimum beperkt.

Als de machine versleten is, moet u deze inleveren voor recycling of vernietiging. Volg de plaatselijke voorschriften voor afvalverwerking en recycling op.

Belangrijkste materialen

Motor

Aluminium, staal, koper, polyamide.

Machine

Staal, gietijzer, aluminium.

TECHNISCHE GEGEVENS

Technische gegevens

FS 400 LV

	450/18	500/20
Bladformaat – max., mm/inch	450/18	500/20
Zaagdiepte - max., mm/inch	162/6.5	187/7.5
De draaisnelheid van de spil (bij motortoerental 3700 tpm), tpm	3000	
Zaagspil, mm/inch	25.4/1	
Bladflensdiameter, mm/inch	89/3.5	
Motorolie	SAE 10W-30, klasse API, MS, SD, SE of hoger.	
Gewicht		
Machine met lege tanks, kg/lb	104/229	107/236
Bedrijfgewicht, kg/lb	135/298	145/320
Afmetingen (LxBxH), mm/inch	1090x615x990/ 42.9x24.2x39.0	1120x615x990/ 44.1x24.2x39.0

Lawaai-emissie (zie opm. 1)	
Geluidsvermogen, gemeten dB(A)	109
Geluidsvermogen, gegarandeerd L_{WA} dB(A)	112
Geluidsniveau (zie opm. 2)	
Niveau geluidsdruk bij het oor van de gebruiker, dB(A)	90
Trillingsniveau, a_{hv} (zie opm. 3)	
Handgreep rechts, m/s^2	2.5
Handgreep links, m/s^2	3.2

Opm. 1: Emissie van geluid naar de omgeving gemeten als geluidsvermogen (L_{WA}) volgens EG-richtlijn 2000/14/EG.

Opm. 2: Geluidsdrukniveau volgens EN 13862. De gerapporteerde gegevens voor het geluidsdrukniveau vertonen een typische statistische spreiding (standaardafwijking) van 4,0 dB (A).

Opm. 3: Trillingsniveau volgens EN 13862. De gerapporteerde gegevens voor het trillingsniveau vertonen een typische statistische spreiding (standaardafwijking) van 1,5 m/s^2 .

TECHNISCHE GEGEVENS

EG-verklaring van overeenstemming

(Alleen geldig voor Europa)

Husqvarna AB, SE-561 82 Huskvarna, Zweden, tel. +46-36-146500, verklaart onder alleenverantwoordelijkheid dat de vloerzaag **Husqvarna FS400 LV** met serienummers van 2016 en later (het jaartal staat duidelijk op het productplaatje vermeld, gevolgd door het serienummer), voldoen aan de eisen die in de RICHTLIJNEN VAN DE RAAD zijn opgenomen:

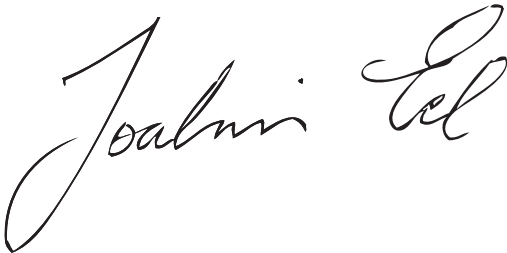
- van 17 mei 2006 "betreffende machines" **2006/42/EG**.
- van 26 februari 2014 "betreffende elektromagnetische compatibiliteit" **2014/30/EU**.
- van 8 mei 2000 "betreffende geluidsemmissie door materieel voor gebruik buitenshuis" **2000/14/EG**.

De volgende normen zijn van toepassing:

EN ISO 12100:2010, CISPR12:2007+Amd1:2009, EN 55012:2007+A1:2009, EN ISO 14982:2009, EN 13862/A1:2009

SMP Svensk Maskinprovning AB, Box 7035, SE-750 07 Uppsala, Zweden, heeft namens Husqvarna AB een niet-verplicht typeonderzoek uitgevoerd overeenkomstig de machinerichtlijn (2006/42/EG). Het certificaat heeft nummer: SEC/17/2477

Gothenburg, 30 maart 2016



Joakim Ed

Global R&D Director

Construction Equipment Husqvarna AB

(erkende vertegenwoordiger voor Husqvarna AB en verantwoordelijk voor technische documentatie.)

SYMBOLFÖRKLARING

Symboler på maskinen:

WARNING! Maskinen kan felaktigt eller slarvigt använd vara ett farligt redskap, som kan orsaka allvarliga skador eller dödsfall för användaren eller andra.



Läs igenom bruksanvisningen noggrant och förstå innehållet innan du använder maskinen.



Använd personlig skyddsutrustning. Se anvisningar under rubrik "Personlig skyddsutrustning".



Alla förflyttningar av maskinen utanför skärområdet ska utföras med stillastående verktyg.



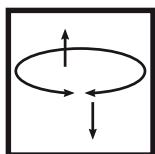
Demontera klingan före upphissning, lastning, lossning och transport av maskinen.



Pilen på verktygsskyddet anger riktningen för verktygets rotation.



Instickssågning uppåt och nedåt



Skydden ska alltid vara monterade på maskinen. Låt aldrig mer än 180° av sågklingan vara oskyddad.



Kontrollera skärutrustningen. Använd aldrig slö, sprucken eller skadad utrustning.



Klingorna ska vara märkta med samma eller högre varvtal som maskinens märkskylt anger. En klinga med för hög hastighet kan brista eller orsaka allvarlig skada.



Använd inte maskinen i närheten av antändbara substanser eller gaser.



WARNING! Vid kapning uppstår dammbildning som kan förorsaka skador vid inandning. Använd godkänt andningsskydd. Undvik att inandas avgaser. Sörj för god ventilation.



Mycket het yta.



Maskinfara! Håll alla delar av kroppen borta från klingan och andra rörliga delar.



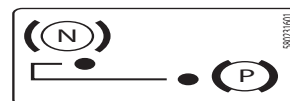
Risk för skärskador. Håll alla delar av din kropp borta från skärutrustningen.



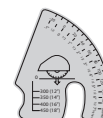
Transmissionens stopp



Parkeringsbroms Aktiverad / Avaktiverad



Indikator för sågdjup



Fyll tanken endast med vatten



Sågen ska vara nivellerad, utan klinga, när du kontrollerar oljenivån.



Vid lyft av maskinen använd alltid maskinens lyftögla.



Denna produkt överensstämmer med gällande EG-direktiv. Om det är markerat på maskinen.



Bulleremissioner till omgivningen enligt Europeiska Gemenskapens direktiv. Maskinens emission anges i kapitel Tekniska data och på dekal.



FS400 LV

Husqvarna
FS 400 LV

Typskylt

A: Fabrikat

B: Tillverkare, adress

C: Typ

D: Tillverkningsdatum, år, vecka
Serienummer

E: Produktnummer

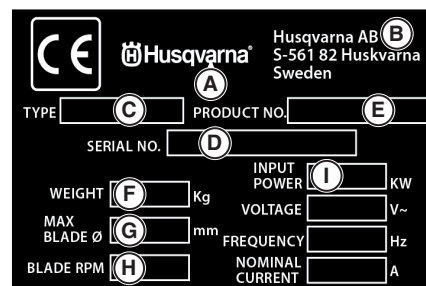
F: Vikt

G: Klingstorlek - max, mm

H: Varvtal, kniv, r/min

I: Ineffekt max (kW)

Övriga på maskinen angivna symboler/dekaler avser specifika krav för certifieringar på vissa marknader.



SYMBOLFÖRKLARING

Förklaring av varningsnivåer

Varningarna är graderade i tre nivåer.

VARNING!



VARNING! Används om risk för allvarlig personskada eller dödsfall föreligger för operatör eller omgivning om man inte följer givna instruktioner.

VIKTIGT!



VIKTIGT! Används om risk för personskada föreligger för operatör eller omgivning om man inte följer givna instruktioner.

OBS!

OBS! Används om risk för material- eller maskinskada föreligger om man inte följer givna instruktioner.

INNEHÅLL

Innehåll

SYMBOLFÖRKLARING

Symboler på maskinen: 109

Förklaring av varningsnivåer 110

INNEHÅLL

Innehåll 111

PRESENTATION

Bäste kund! 112

Egenskaper 112

PRESENTATION

Vad är vad på maskinen? 113

MASKINENS SÄKERHETSUTRUSTNING

Allmänt 114

MONTERING OCH INSTÄLLNINGAR

Allmänt 115

Montering av klinga 115

Handtagshöjd 115

Indikator för sågdjup 115

Parkeringsbroms 116

KLINGOR

Allmänt 117

Vattenkylning 117

Diamantklingor för olika material 117

Kontroll av klinga 117

Transport och förvaring 117

BRÄNSLEHANTERING

Allmänt 118

Drivmedel 118

Tankning 118

HANDHAVANDE

Skyddsutrustning 119

Allmänna säkerhetsinstruktioner 119

Transport och förvaring 120

START OCH STOPP

Före start 121

Start 121

Stopp 121

UNDERHÅLL

Allmänt 122

Underhållsschema 122

Rengöring 122

Funktionskontroll 122

Smörjning 123

Förbrukad produkt 123

TEKNISKA DATA

Tekniska data 124

EG-försäkran om överensstämmelse 125

Bäste kund!

Tack för att Du har valt en Husqvarnaprodukt!

Vi hoppas att Du kommer att vara nöjd med Din maskin och att den ska få vara Din följeslagare under en lång tid framöver. Ett köp av någon av våra produkter ger dig tillgång till professionell hjälp med reparationer och service. Om inköpsstället för maskinen inte var någon av våra auktoriserade återförsäljare, fråga dem efter närmaste serviceverkstad.

Denna bruksanvisning är en värdehandling. Se till att den alltid finns tillhands på arbetsplatsen. Genom att följa dess innehåll (användning, service, underhåll etc.) kan Du väsentligt höja maskinens livslängd och även dess andrahandsvärde. Om Du säljer Din maskin, se till att överlåta bruksanvisningen till den nya ägaren.

Över 300 års innovation

Husqvarna AB är ett svenskt företag med anor som går tillbaka till 1689 då kung Karl XI lät uppföra en fabrik för tillverkning av musköter. Redan då lades grunden till den ingenjörskunskap som står bakom utvecklingen av några av världens främsta produkter inom områden som jaktvapen, cyklar, motorcyklar, hushållsmaskiner, symaskiner och utomhusprodukter.

Idag är Husqvarna världens största tillverkare av motordrivna utomhusprodukter för skog, park och trädgårdsskötsel. Husqvarna är dessutom ledande på världsmarknaden inom kaputrustning och diamantverktyg för byggnadsindustrin.

Användaransvar

Ägaren/arbetsgivaren ansvarar för att operatören har tillräckliga kunskaper om hur maskinen används på ett säkert sätt. Arbetsledare och operatörer ska ha läst och förstått bruksanvisningen. De ska ha kunskap om:

- Maskinens säkerhetsföreskrifter.
- Maskinens tillämpningsområden och begränsningar.
- Hur maskinen ska användas och underhållas.

Nationell lagstiftning kan reglera maskinens användning. Ta reda på vad som gäller på din arbetsort innan maskinen tas i bruk.

Tillverkarens förbehåll

All information och alla data i denna bruksanvisning gällde det datum denna bruksanvisning lämnades till tryck.

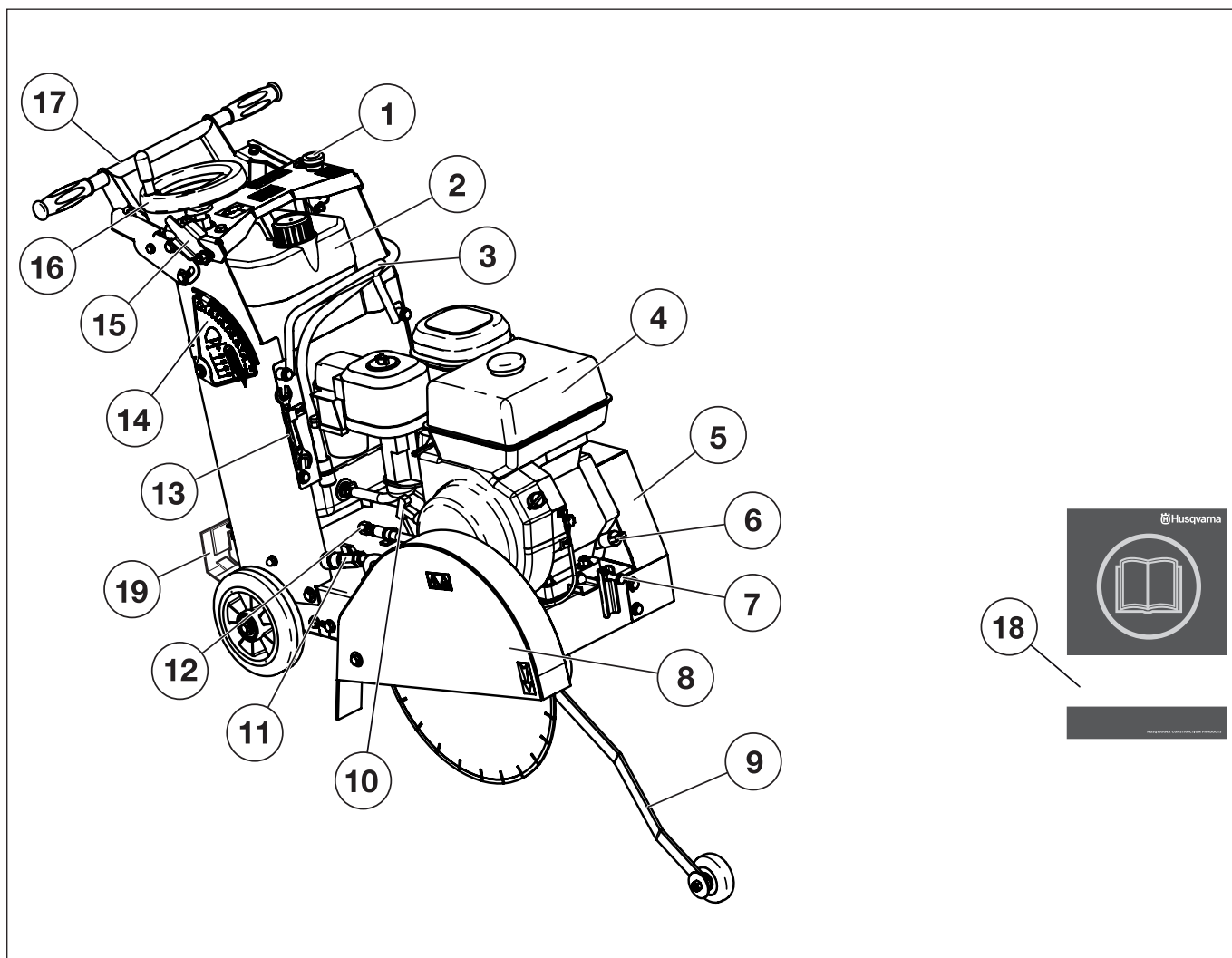
Husqvarna AB arbetar ständigt med att vidareutveckla sina produkter och förbehåller sig därför rätten till ändringar beträffande bl.a. form och utseende utan föregående meddelande.

Egenskaper

Värden som hög prestanda, pålitlighet, innovativ teknologi, avancerade tekniska lösningar och miljöhänsyn utmärker Husqvarnas produkter.

Nedan följer några av de unika egenskaper som din produkt är utrustad med.

PRESENTATION



Vad är vad på maskinen?

- | | |
|------------------------|--------------------------|
| 1 Maskinstopp | 11 Vattenkran |
| 2 Vattentank | 12 Avtappning, motorolja |
| 3 Lyftögla | 13 Servicenöckel |
| 4 Bränsletank | 14 Indikator för sågdjup |
| 5 Skyddskåpa - drivrem | 15 Låsreglage, sågdjup |
| 6 Oljepåfyllning | 16 Matningsratt, sågdjup |
| 7 Spännskruv, drivrem | 17 Handtag |
| 8 Klingskydd | 18 Bruksanvisning |
| 9 Främre guide | 19 Parkeringsbroms |
| 10 Starthandtag | |

MASKINENS SÄKERHETSUTRUSTNING

Allmänt



VARNING! Använd aldrig en maskin med defekta säkerhetsdetaljer. Om din maskin inte klarar alla kontrollerna ska serviceverkstad uppsökas för reparation.

Motorn ska vara frånslagen, med stoppkontakten i läge STOP.

I detta avsnitt förklaras vilka maskinens säkerhetsdetaljer är, vilken funktion de har samt hur kontroll och underhåll skall utföras för att säkerställa att de är i funktion.

Maskinstopp

Maskinstoppet används för att snabbt stänga av motorn och alla elektriska funktioner förutom belysningen.

Testning av maskinstopp

- Tryck på maskinstoppet och kontrollera att motorn stannar.
- Lossa maskinstoppknappen (vrid medurs).

Klingskydd



VARNING! Kontrollera alltid att klingskyddet är korrekt monterat innan maskinen startas.

Klingskyddet är konstruerat för att förhindra att delar från skivan eller kapat material slungas mot användaren.

Kontroll av klingskydd

Kontrollera klingskyddet så att det är oskadat och fritt från sprickbildning. Byt klingskydd om det utsatts för slag eller har sprickor.

Kontrollera alltid att skyddet är korrekt monterat innan maskinen startas. Kontrollera även att klingan är korrekt monterad och inte har några skador. En skadad klinga kan orsaka personskador.

Ljuddämpare



VARNING! Använd aldrig en maskin utan eller med defekt ljuddämpare. En defekt ljuddämpare kan öka ljudnivån och brandrisken avsevärt. Ha verktyg för brandsläckning tillgängliga.

Ljuddämparen blir mycket het såväl vid användning som efter stopp. Detta gäller även vid tomgångskörning. Var uppmärksam på brandfaran, speciellt vid hantering nära brandfarliga ämnen och/eller gaser.

Ljuddämparen är konstruerad för att ge så låg ljudnivå som möjligt samt för att leda bort motorns avgaser från användaren.

Kontroll av ljuddämpare

Kontrollera regelbundet att ljuddämparen är hel och att den sitter ordentligt fast.

MONTERING OCH INSTÄLLNINGAR

Allmänt

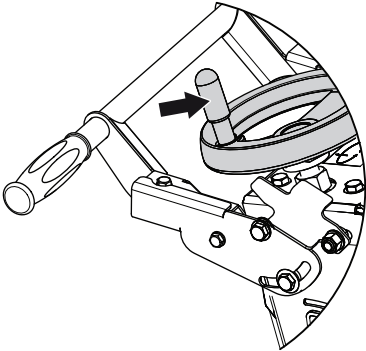


VARNING! Kontroll och/eller underhåll skall utföras med motorn fränslagen.

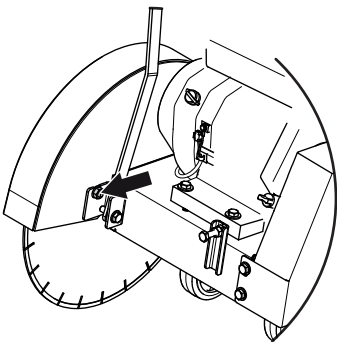
Kontrollera att klinga och klingskydd är korrekt monterade innan maskinen startas.

Montering av klinga

- Veva upp matningsratten för sågdjup.



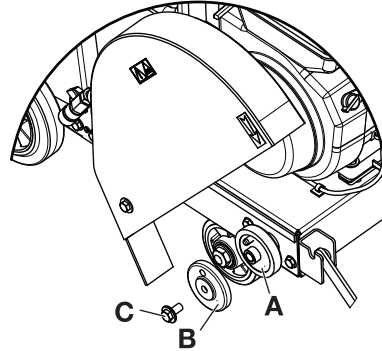
- Stäng av vattenkranen. Koppla loss vattenslangen från klingskyddet.
- Lossa den främre muttern och luta upp klingskyddet i serviceläge.



VARNING! Kontrollera att klinga, klingfläns och klingaxel är oskadd. Rengör klingans och klingflänsens kontaktytor. Se till att klinga och flänsar är rena och fria från smuts och skräp innan klingan monteras på maskinen.

- Kontrollera klingans rotationsriktning. Pilen på klingan anger rotationsriktningen.

- Montera klingan på klingaxeln (A). Passa in klingflänsen (B) över klingan. Kontrollera att låsspringen på flänsen (A) passerar genom klingan och in i flänsen (B). Dra åt skruven (C) ordentligt med medföljande nyckel.

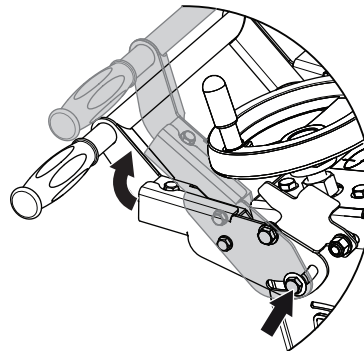


- Återmontera klingskyddet och vattenslangen i omvänd ordningsföljd mot demonteringen.

Handtagshöjd

Handtagets höjd kan regleras i höjled.

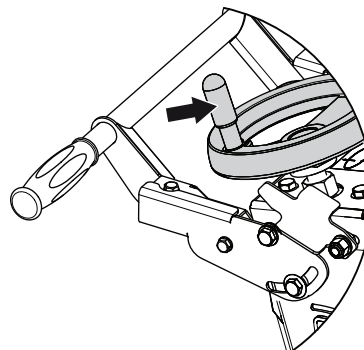
- Lossa skruven. Ställ in handtaget på bekväm arbetshöjd. Drag åt skruven.



Indikator för sågdjup

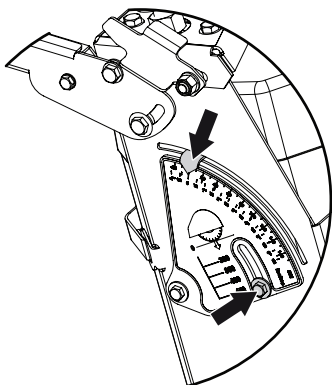
Innan indikatorn kan användas måste den kalibreras.

- Veva ner klingan så att den precis kommer i kontakt med marken.



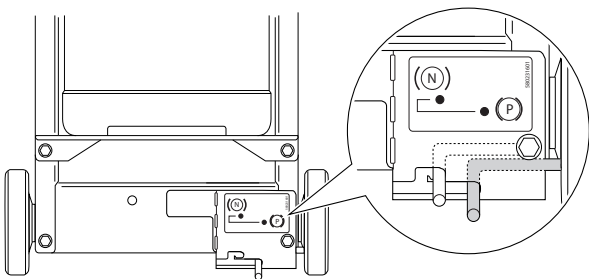
MONTERING OCH INSTÄLLNINGAR

- Lossa skruven. Ställ indikatorpilen på "0". Drag åt skruven.



Parkeringsbroms

Lägg i parkeringsbroms.



Allmänt

- Diamantklingsor består av en stålstomme försedd med segment som innehåller industridiamanter.
- Använd alltid en skarp diamantklinga.
- Klingorna ska vara märkta med samma eller högre varvtal som maskinens märkskylt anger.
- Använd aldrig annat än för maskinen avsedda originalklingsor.

Vattenkylning

Vattenkylning ska alltid användas. Detta kyler klingsorna och ökar deras livslängd samt minskar dammbildning.

Diamantklingsor för olika material



Husqvarnas sortiment av våtkapklingsor för golv- och vägsågning är brett och innehåller klingsor för allt från färsk till härdad betong med olika hårdhetsgrader samt ett heltäckande sortiment asfaltklingsor. Hör med din Husqvarna återförsäljare vilken klinga som lämpar sig bäst för din tillämpning.

Kontroll av klinga

- Kontrollera att klinga och klingskydd är oskadda och fria från sprickor. Byt klingskydd/klinga om det utsatts för slag eller har sprickor. Använd aldrig en skadad eller utsliten klinga.
- Kontrollera att rätt vattenmängd når fram till klingan.

Transport och förvaring

- Syna nya klingsor beträffande transport- eller lagerskador.
- Klingan ska tas av maskinen efter användning och lagras väl. Förvara klingan torrt.

BRÄNSLEHANTERING

Allmänt



VARNING! Att köra en motor i ett instängt eller dåligt ventilerat utrymme kan orsaka dödsfall genom kvävning eller kolmonoxidförgiftning.

Bränsle och bränsleångor är mycket brandfarliga och kan ge allvarliga skador vid inandning och hudexponering. Var därför försiktig vid hantering av bränsle och se till för god luftventilation vid bränslehantering.

Motorns avgaser är heta och kan innehålla gnistor vilka kan orsaka brand. Starta därför aldrig maskinen inomhus eller nära eldfängt material!

Rök inte och placera heller inte något varmt föremål i närheten av bränsle.

Drivmedel

OBS! Maskinen är försedd med en fyrtaktsmotor. Se till att det alltid finns tillräckligt med olja i motorn.

Bensin

- Använd blyfri eller blyad kvalitetsbensin.
- Rekommenderat lägsta oktantal är 90 (RON). Om man kör motorn på bensin med ett lägre oktantal än 90 kan så kallad spikning uppträda. Detta leder till ökad motortemperatur, som kan orsaka svåra motorhaverier.

Motorolja

- Kontrollera oljenivån innan maskinen startas. En för låg oljenivå kan orsaka allvarliga motorskador. Se anvisningar i avsnitt "Underhåll".
- Använd aldrig olja avsedd för tvåtaktsmotorer.

Tankning



VARNING! Stanna motorn och låt den svalna några minuter före tankning.

Öppna tanklocket sakta vid bränslepåfyllning så att eventuellt övertryck sakta försvinner.

Torka rent runt tanklocket.

Drag åt tanklocket noga efter tankning.

Flytta maskinen minst 3 m från tankningsstället innan du startar.

Starta aldrig maskinen:

- Om du spillt bränsle eller motorolja på maskinen. Torka av allt spill och låt bensinresterna avdunsta.
- Om du spillt bränsle på dig själv eller dina kläder, byt kläder. Tvätta de kroppsdelar som varit i kontakt med bränsle. Använd tvål och vatten.
- Om maskinen läcker bränsle. Kontrollera regelbundet efter läckage från tanklock och bränsleledningar.

Transport och förvaring

- Förvara och transportera maskinen och bränslet så att eventuellt läckage och ångor inte riskerar att komma i kontakt med gnistor eller öppen låga, exempelvis från elmaskiner, elmotorer, elkontakter/strömbrytare eller värmepannor.
- Vid förvaring och transport av bränsle ska för ändamålet speciellt avsedda och godkända behållare användas.

Långtidsförvaring

- Vid längre tids förvaring av maskinen ska bränsletanken tömmas. Hör med närmaste bensinstation var du kan göra dig av med bränsleöverskott.

HANDHAVANDE

Skyddsutrustning

Allmänt

- Använd aldrig maskinen utan möjlighet att kunna påkalla hjälp i händelse av olycka.

Personlig skyddsutrustning

Vid all användning av maskinen skall godkänd personlig skyddsutrustning användas. Personlig skyddsutrustning eliminerar inte skaderisken, men den reducerar effekten av en skada vid ett olyckstillbud. Be din återförsäljare om hjälp vid val av utrustning.



WARNING! Användning av produkter som skär, slipar, borrar, finslipar eller formar material kan generera damm och ångor som kan innehålla skadliga kemikalier. Ta reda på hur det material som du arbetar med är beskaffat och bär lämplig andningsmask.

Långvarig exponering för buller kan ge bestående hörselskador. Använd därför alltid godkända hörselskydd. Var alltid uppmärksam på varningssignaler eller tillrop när hörselskydd används. Tag alltid av hörselskydden så snart motorn stoppats.

Använd alltid:

- Godkänd skyddshjälm.
- Godkända hörselskydd.
- Skyddsglasögon eller visir.
- Andningsmask.
- Åtsittande, kraftig och bekväm klädsel som tillåter full rörelsefrihet.
- Stövlar med stålhätta och halkfri sula.

Övrig skyddsutrustning

VIKTIGT! Gnistor kan uppkomma vid arbete med maskinen och orsaka brand. Ha alltid utrustning för brandsläckning tillgänglig.

- Brandsläckare.
- Första förband ska alltid finnas till hands.

Allmänna säkerhetsinstruktioner

Detta avsnitt behandlar grundläggande säkerhetsregler för arbete med maskinen. Given information kan aldrig ersätta den kunskap en yrkesman besitter i form av utbildning och praktisk erfarenhet.

- Läs igenom bruksanvisningen noggrant och förstå innehållet innan du använder maskinen.
- Tänk på att användaren är ansvarig för olyckor eller faror för andra människor eller deras egendom.
- Maskinen ska hållas ren. Skyltar och dekaler ska vara fullt läsbara.

Använd alltid sunt förnuft

Det är omöjligt att täcka alla tänkbara situationer du kan ställas inför. Var alltid försiktig och använd sunt förnuft. När du råkar ut för en situation som gör dig osäker angående fortsatt användning skall du rådfråga en expert. Vänd dig till din återförsäljare, din serviceverkstad eller en erfaren användare. Undvik all användning du anser dig otillräckligt kvalificerad för!



WARNING! Maskinen kan felaktigt eller slarvigt använd vara ett farligt redskap, som kan orsaka allvarliga skador eller dödsfall för användaren eller andra.

Låt aldrig barn eller andra personer som inte utbildats i handhavande av maskinen, använda eller underhålla den.

Låt aldrig någon annan använda maskinen utan att försäkra dig om att de har läst och förstått innehållet i bruksanvisningen.

Använd aldrig maskinen om du är trött, om du har druckit alkohol eller om du tar mediciner, som kan påverka din syn, ditt omdöme eller din kroppskontroll.



WARNING! Icke auktoriserade ändringar och/eller tillbehör kan medföra allvarliga skador eller dödsfall för användaren eller andra. Under inga förhållanden får maskinens ursprungliga utformning ändras utan tillstånd från tillverkaren.

Modifiera aldrig denna maskin så att den ej längre överensstämmer med originalutförandet, och använd den inte om den verkar ha blivit modifierad av andra.

Använd aldrig en maskin som är felaktig. Följ underhålls-, säkerhetskontroll- och serviceinstruktioner i denna bruksanvisning. Vissa underhålls- och serviceåtgärder skall utföras av tränade och kvalificerade specialister. Se anvisningar under rubrik Underhåll.

Använd alltid originaltillbehör.



WARNING! Denna maskin alstrar under drift ett elektromagnetiskt fält. Detta fält kan under vissa omständigheter ge påverkan på aktiva eller passiva medicinska implantat. För att reducera risken för allvarliga eller livshotande skador rekommenderar vi därför personer med implantat att rådgöra med läkare samt tillverkaren av det medicinska implantatet innan denna maskin används.

HANDHAVANDE

Säkerhet i arbetsområdet

- laktta omgivningen för att säkerställa att ingen/inget kan påverka din kontroll över maskinen.
- Försäkra dig om att ingen/inget kan komma i kontakt med skärutrustningen eller träffas av delar från ett eventuellt klingbrott.
- Undvik användning vid ogynnsamma väderleksförhållanden. Exempelvis tät dimma, kraftigt regn, hård vind, stark kyla, osv. Att arbeta i dåligt väder är tröttsamt och kan skapa farliga omständigheter, exempelvis halt underlag.
- Börja aldrig att arbeta med maskinen innan arbetsområdet är fritt och du har säkert fotfäste. Titta efter eventuella hinder vid en övntad förflyttning. Försäkra dig om att inget material kan falla ned och orsaka skador när du arbetar med maskinen. laktta stor försiktighet vid arbete i sluttande terräng.
- Försäkra dig om att arbetsområdet är tillräckligt upplyst för att skapa en säker arbetsmiljö.
- Kontrollera att inga rörledning eller elektriska kablar är dragna i arbetsområdet eller i materialet som ska sågas.
- Se till att elkablar inom arbetsområdet ej är strömförande.

Grundläggande arbetsteknik



- Denna maskin är konstruerad för och avsedd för sågning i färsk och härdad betong med olika hårdheter samt asfalt. All annan typ av användning är felaktig.
- Såga aldrig på ett sådant sätt att du inte på ett enkelt sätt kan komma åt maskinstoppet.
- Kontrollera att inga verktyg eller andra föremål ligger löst på maskinen.
- Lämna aldrig maskinen utan uppsikt med motorn igång.
- Kontrollera alltid att klingskyddet är korrekt monterat innan maskinen startas. Såga aldrig utan klingskydd.
- Före sågning skall alla de snitt som skall göras markeras tydligt och planeras så att de kan utföras utan fara för person eller maskin.
- Vrid, sväng eller förflytta inte maskinen i sidled med roterande klinga.
- Säkra eller förankra betongblock ordentligt innan sågning. Stora vikter i materialet som sågas loss kan vålla stora skador på både maskin och på person om den inte kan förflyttas under kontrollerade former.
- Se till att det alltid finns någon mer person till hands när Du använder maskinerna så att Du kan kalla på hjälp om en olycka skulle inträffa.

Transport och förvaring

- Maskinen är utrustad med transporthjul och kan lätt transporteras utan att motorn är igång. Se till att klingan är i sitt översta läge innan förflyttning av maskinen sker.

- Demontera klingan innan transport eller förvaring av maskinen.
- Var försiktig vid lyft. Du handskas med tunga delar vilket innebär klämrisk och risk för annan skada.
- Vid lyft av maskinen använd alltid maskinens lyftöglor.
- Säkra utrustningen vid transport för att undvika transportskador och olycksfall.
- För transport och förvaring av bränsle, se avsnitt "Bränslehantering".
- För transport och förvaring av klingor, se avsnitt "Klingor".
- Förvara utrustningen i ett låsbart utrymme så att den är oåtkomlig för barn och obehöriga.
- Om det finns risk för frysning ska maskinen dräneras från kvarvarande vatten.

START OCH STOPP

Före start

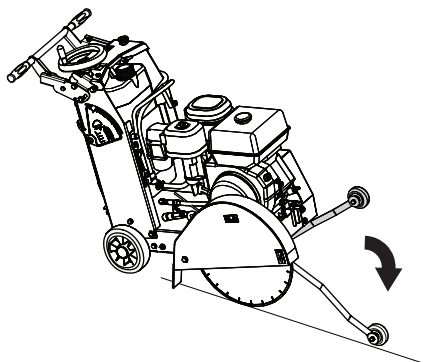


VARNING! Läs igenom bruksanvisningen noggrant och förstå innehållet innan du använder maskinen.

Använd personlig skyddsutrustning. Se anvisningar under rubrik "Personlig skyddsutrustning".

Se till att inga obehöriga finns inom arbetsområdet, annars finns risk för allvarliga personskador.

- Utför daglig tillsyn. Se anvisningar i avsnitt "Underhåll".
- Fyll vattentanken eller anslut maskinen till vattentillförsel.
- Markera sågsnittet som ska utföras.
- Den främre indikatorn måste kontrolleras för justering med klingan.
- Lay a straight edge along inner flange. Align the front pointer to the straight edge. If required, adjust the front pointer by loosening the nuts that hold the guide wheel in place. Align the guide wheel to the straight edge and retighten the nuts.
- Fäll ner den främre guiden och rikta in maskinen i linje med markeringen.



Start

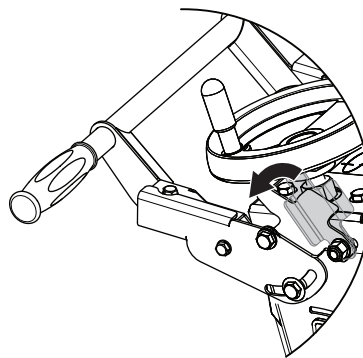
Starta motorn

- Läs den medföljande bruksanvisning från motortillverkaren.

Starta sågning

- Öppna vattenkranen.
- Kontrollera att vattenslangen i klingskyddet är öppen och att varje sida av klingan har en tillräcklig tillförsel av vatten.
- Testa tryck och mängd (flöde) för vattentillförseln innan du startar sågen.
- Ställ motorn på fullgas.

- Fäll ner reglaget för låsning av ratten för inställning av sågdjup.



- Såga endast så djupt som jobbspecifikationerna kräver. Att såga djupare än vad som krävs innebär extra slitage på klingan och maskinen.
- Gör ett vägledande snitt, ca 20–30 mm djupt.
- Såga i steg om 50 mm tills angivet spårdjup uppnås. Detta kallas stegvis sågning.
- Fäll upp reglaget för låsning av ratten för inställning av sågdjup.
- Såga endast i en rak linje. Markera såglinjen tydligt så att sågoperatören kan följa såglinjen utan svårighet.
- Skjut maskinen långsamt framåt. Se till att den främre guiden och klingan inte avviker från markeringen.

OBS! Sågen ska INTE vridas fram och tillbaka för att tvinga tillbaka klingan i spåret.

Stopp

Stoppa sågningen

- Fäll ner reglaget för låsning av ratten för inställning av sågdjup. Veva upp klingan ur spåret.
- Fäll upp reglaget för låsning av ratten för inställning av sågdjup.
- Stäng av vattenkranen.

Stoppa motorn

- Läs den medföljande bruksanvisning från motortillverkaren.
- Tryck på maskinstoppet och kontrollera att motorn stannar.

UNDERHÅLL

Allmänt



VARNING! Användaren får endast utföra sådana underhålls- och servicearbeten som beskrivs i denna bruksanvisning. Mer omfattande ingrepp skall utföras av en auktoriserad serviceverkstad.

Kontroll och/eller underhåll skall utföras med motorn frånslagen.

Använd personlig skyddsutrustning. Se anvisningar under rubrik ”Personlig skyddsutrustning”.

Maskinens livslängd kan förkortas och risken för olyckor kan öka om underhåll av maskinen inte utförs på rätt sätt och om service och/eller reparationer inte utförs fackmannamässigt. Om du behöver ytterligare upplysningar kontakta närmaste serviceverkstad.

- Låt din Husqvarna-återförsäljare regelbundet kontrollera maskinen och göra nödvändiga inställningar och reparationer.

Underhållsschema

I underhållsschemat kan du se vilka delar av din maskin som kräver underhåll och med vilka intervaller det ska ske. Intervallen är beräknade för daglig användning av maskinen och kan variera beroende på nyttjandegraden.

Daglig tillsyn
Rengöring
Utvändig rengöring
Luftfilter
Sedimentkopp
Funktionskontroll
Allmän översyn
Motorolja
Drivrem
Maskinstopp*
Klingskydd*
Ljuddämpare*
Klinga**
Smörjning
Klingaxel, dagligen
Smörj nippeln för djupinställningssystemet dagligen

*Se anvisningar i avsnitt ”Maskinens säkerhetsutrustning”.

**Se anvisningar i avsnitt ”Klingor” och ”Montering och inställningar”.

Rengöring

Utvändig rengöring

- Kontrollera att alla kopplingar, anslutningar samt kablar är hela och rena från smuts.
- Klingan kyls genom att vattnet sprutas genom små hål i klingskyddet. Kontrollera att dessa hål är oblockerade så att klingan kyls korrekt.

Luftfilter

För rengöring och byte av luftfilter, läs den medföljande bruksanvisning från motortillverkaren.

- Luftfiltret kan i behöva rengöras upp till 2-3 gånger per dag i mycket dammiga miljöer.
- Ett skadat luftfilter måste alltid bytas ut.



OBS! Filtret får inte rengöras med tryckluft, eftersom det kan skada filtret. Filtret kan rengöras genom dammsugning, men undvik att stöta i eller dra objekt över ytan eftersom det kan skada filtret.

Pappersfilter ska kasseras på rätt sätt och bytas ut.

Ett polyesterfilter kan rengöras genom dammsugning eller spolning med lågt tryck.

Använd inte högtryckstvätt, eftersom det kan skada filtret.

Ett skadat luftfilter måste alltid bytas ut.

Ett rengjort filter måste vara 100 % torrt innan det sätts i utrustningen igen.

Tändstift

- Om maskinens effekt är låg, om den är svår att starta eller om tomgången är ojämn: kontrollera alltid först tändstiftet innan ytterligare åtgärder vidtages.
- Se till att tändhatt och tändkabel är oskadade för att undvika risk för elektrisk stöt.
- Om tändstiftet är sotigt, rengör det och kontrollera elektrodgapet. Byt vid behov. Se den medföljande instruktionsmanualen för motorn.

OBS! Använd alltid rekommenderad tändstiftstyp! Felaktigt tändstift kan förstöra kolv/cylinder.

Dessa faktorer orsakar beläggningar på tändstiftets elektroder och kan förorsaka driftstörningar och startsvårigheter.

- En felaktig oljeblandning i bränslet (för mycket eller felaktig olja).
- Ett smutsigt luftfilter.

Funktionskontroll

Allmän översyn

- Kontrollera att skruvar och muttrar är åtdragna.

UNDERHÅLL

Motorolja

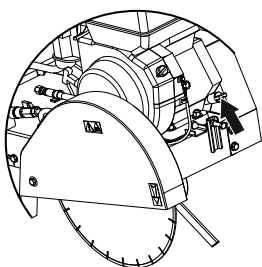


VIKTIGT! Tänk på att oljan kan vara skadlig för hälsa och miljö. Följ lokala bestämmelser för omhändertagande och återvinning.

För byte av motorolja, läs den medföljande bruksanvisning från motortillverkaren.

Kontroll av motorns oljenivå

- Vid kontroll av oljenivån måste motorn vara horisontellt läge. Demontera klingan eller vidta annan åtgärd för att kunna vinkla ner maskinen så att motorn hamnar i horisontellt läge.
- Kontrollera oljenivån, fyll på om nödvändigt. Oljenivån får aldrig ligga under den nedre markeringen på mätstickan, se motorns bruksanvisning.



- För bästa resultat och funktion använd HUSQVARNA motorolja.
- Om HUSQVARNA motorolja ej finns tillgänglig kan annan motorolja av hög kvalitet användas. Använd motorolja av kvalitet SAE 10W-30, klass API, MS, SD, SE eller högre.
- Använd aldrig olja avsedd för tvåtaktsmotorer.

Drivrem

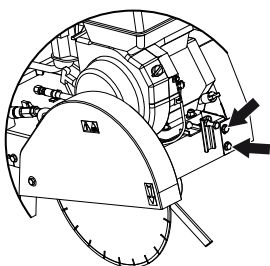
OBS! Överspänn inte drivremmen.

- Kontrollera att drivremmen är hel och utan synbara defekter.

Sträckning av drivrem

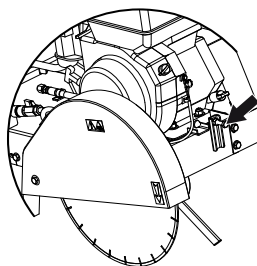
En ny drivrem ska spännas en gång då en eller två bränsletankar körts.

- Lossa skruvarna på remskyddet. Lyft bort remskyddet.



- Lossa skruvarna som håller fast motorn.

- Vrid spännskruven ett kvarts varv. Motorn kommer att tryckas bakåt och remmen spänns.



- Se till att remhjulen är parallella och i linje med varandra. Dra åt skruvarna som håller motorn och skruva sedan ut spännskruven 2 varv så att den inte har kontakt med motorblocket. Sätt tillbaka remskyddet och dra åt skruvarna som håller remskyddet.

Bränslesystem

Allmänt

- Kontrollera att tanklocket och dess tätning är oskadd.
- Kontrollera bränsleslangen. Byt om det behövs.

Smörjning

Klingaxel

- Smörj klingaxeln dagligen. Anslut smörjsprutan och pumpa 3-5 slag eller tills det syns att fett trycks fram i kanterna. Använd endast DIN 51825-fettklassificering K2K-30 eller K3K-30.

Fettnippel för inställning av sågdjup

Smörj fettnippelarna för inställning av sågdjup dagligen.

Mutter för inmatning av sågdjup

Fetta in matningsskruven ett par cm över och under muttern och justera sågen upp och ner några gånger för att sprida fett.

Förbrukad produkt

Denna maskin har förutsättningarna att hålla i många år. Det gör att den minimerar belastningen på vår miljö. Utför service och underhåll enligt avsningsarna i denna bruksanvisning. På så vis håller maskinen längre och de skadliga utsläppen minimeras.

När maskinen är utsliten ska den omhändertas för återvinning eller skrotning. Följ lokala bestämmelser för omhändertagande och återvinning.

Huvudmaterial

Motor

Aluminium, Stål, Koppar, Polyamid.

Maskin

Stål (AC), Gjutjärn (FT), Aluminium (AL).

TEKNISKA DATA

Tekniska data

FS 400 LV

	450/18	500/20
Klingstorlek - max, mm/tum	450/18	500/20
Sågdjup - max, mm/tum	162/6.5	187/7.5
Spindelns rotationshastighet (vid motorvarvtalet 3700 varv/min), varv/min	3000	
Spindeldiameter, mm/tum	25.4/1	
Klingdiameter, mm/tum	89/3.5	
Motorolja	SAE 10W-30, klass API, MS, SD, SE eller högre.	
Vikt		
Maskin med tomma tankar, kg/lb	104/229	107/236
Driftsvikt, kg/lb	135/298	145/320
Mått (LxBxH), mm/tum	1090x615x990/ 42.9x24.2x39.0	1120x615x990/ 44.1x24.2x39.0

Bulleremissioner (se anm. 1)		
Ljudeffektnivå, uppmätt dB(A)		109
Ljudeffektnivå, garanterad L _{WA} dB(A)		112
Ljudnivåer (se anm. 2)		
Ljudtrycksnivå vid användarens öra, dB(A)		90
Vibrationsnivåer, a_{hv} (se anm. 3)		
Handtag höger, m/s ²		2.5
Handtag vänster, m/s ²		3.2

Anm. 1: Emission av buller till omgivningen uppmätt som ljudeffekt (L_{WA}) enligt EG-direktiv 2000/14/EG.

Anm. 2: Ljudtrycksnivå enligt EN 13862. Redovisade data för ljudtrycksnivå har ett typiskt spridningsmått (standardavvikelse) på 4,0 dB(A).

Anm. 3: Vibrationsnivå enligt EN 13862. Redovisade data för vibrationsnivå har ett typiskt spridningsmått (standardavvikelse) på 1,5 m/s².

TEKNISKA DATA

EG-försäkran om överensstämmelse

(Gäller endast Europa)

Husqvarna AB, SE-561 82 Huskvarna, Sverige, tel +46-36-146500, försäkrar härmed att golvsågen **Husqvarna FS 400 LV** från 2016 års serienummer och framåt (året anges i klartext på typskylten följt av serienumret) motsvarar föreskrifterna i RÅDETS DIREKTIV:

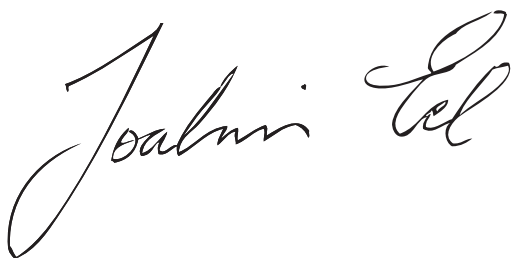
- av den 17 maj 2006 "angående maskiner" **2006/42/EG**.
- av den 26 februari 2014 "angående elektromagnetisk kompatibilitet" **2014/30/EU**.
- av den 8 maj 2000 "angående emission av buller till omgivningen" **2000/14/EG**.

Följande standarder har tillämpats:

EN ISO 12100:2010, CISPR12:2007+Amd1:2009, EN 55012:2007+A1:2009, EN ISO 14982:2009, EN 13862/A1:2009

SMP Svensk Maskinprovning AB, Box 7035, SE-750 07 Uppsala, Sverige, har utfört frivillig typkontroll i enlighet med maskindirektivet (2006/42/EG) åt Husqvarna AB. Certifikatet har nummer: SEC/17/2477

Göteborg, 30 mars 2016



Joakim Ed

Global R&D Director

Construction Equipment Husqvarna AB

(Bemyndigad representant för Husqvarna AB samt ansvarig för tekniskt underlag.)

EXPLICAÇÃO DOS SÍMBOLOS

Símbolos na máquina:

ATENÇÃO! A máquina, se for usada de forma indevida ou incorrecta, pode ser perigosa, causando sérios ferimentos ou mesmo a morte do utente ou outras pessoas.



Leia as instruções para o uso com toda a atenção e compreenda o seu conteúdo antes de fazer uso da máquina.



Use equipamento de protecção pessoal. Ver as instruções na secção "Equipamento de protecção pessoal".



Qualquer deslocamento da máquina fora da área de corte não deve ser realizado com a ferramenta em rotação.



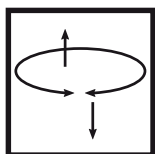
Retire a lâmina antes de proceder à elevação, carga, descarga e transporte da máquina.



A seta na protecção da ferramenta indica a direcção da rotação da ferramenta.



Movimento em profundidade para cima e para baixo



As protecções devem sempre estar montadas na máquina. Nunca permita que a exposição do disco ultrapasse os 180°.



Examine o equipamento de corte. Nunca utilize equipamento sem gume, rachado ou defeituoso.



Os discos devem estar marcados com a rotação igual ou superior à indicada na placa de tipo da máquina. Um disco de corte com velocidade demais pode quebrar-se ou causar lesões graves.



Não use a máquina perto de substâncias ou gases inflamáveis.



ATENÇÃO! Durante o corte produz-se poeira que, se respirada, pode causar lesões. Use protecção respiratória aprovada. Evite respirar vapores de gasolina e gases de escape. Certifique-se de que haja boa ventilação.



Superfície quente.



Máquina perigosa! Mantenha sempre todas as partes do seu corpo afastadas do disco e das restantes peças móveis.



Risco de corte. Mantenha todas as partes do corpo afastadas do equipamento de corte.



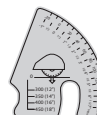
Paragem da transmissão



Travão de estacionamento Ativado/Desativado



Indicador da profundidade de corte



Encha o depósito apenas com água



Mantenha a serra nivelada, sem disco, ao verificar o nível de óleo.



Utilize sempre a pega de levantamento montada na máquina para a levantar.



Este produto está conforme as directivas em validade da CE. Se marcado na máquina.



Emissões sonoras para o meio ambiente conforme directiva da Comunidade Europeia. A emissão da máquina é indicada no capítulo Especificações técnicas e no autocolante.



FS400 LV

Husqvarna
FS 400 LV

Placa de tipo

A: Fabricante

B: Fabricante, endereço

C: Tipo

D: Data de fabrico, ano, semana
Número de série

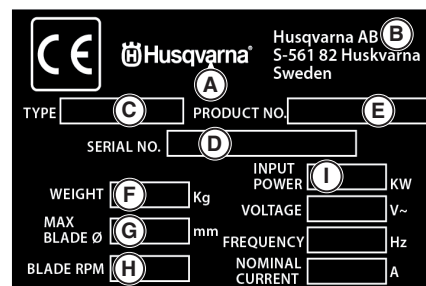
E: Número do produto

F: Peso

G: Dimensão da lâmina - máx., mm

H: Velocidade de rotação, faca, r/min

I: Entrada de potência máx. (kW)



EXPLICAÇÃO DOS SÍMBOLOS

Os restantes símbolos e autocolantes existentes na máquina dizem respeito a exigências específicas para homologação em alguns países.

Explicação dos níveis de advertência

As advertências são classificadas em três níveis.

ATENÇÃO!



ATENÇÃO! Utilizado no caso de existir risco de ferimento grave ou morte para o operador ou de danos nas zonas envolventes, se não forem seguidas as instruções do manual.

CUIDADO!



CUIDADO! Utilizado no caso de existir risco de ferimento para o operador ou de danos nas proximidades, se não forem seguidas as instruções do manual.

ATENÇÃO!

ATENÇÃO! Utilizado se existir risco de danos para os materiais ou para a máquina, se não forem seguidas as instruções do manual.

Índice

EXPLICAÇÃO DOS SÍMBOLOS

Símbolos na máquina: 126

Explicação dos níveis de advertência 127

ÍNDICE

Índice 128

APRESENTAÇÃO

Prezado cliente! 129

Características 129

APRESENTAÇÃO

Como se chama na máquina? 130

EQUIPAMENTO DE SEGURANÇA DA MÁQUINA

Noções gerais 131

MONTAGEM E AJUSTAMENTOS

Noções gerais 132

Montagem da lâmina 132

Altura do punho 132

Indicador da profundidade de corte 132

Travão de estacionamento 133

DISCOS DE CORTE

Noções gerais 134

Refrigeração a água 134

Discos de diamante para materiais diversos 134

Verificação da lâmina 134

Transporte e armazenagem 134

MANEJO DE COMBUSTÍVEL

Noções gerais 135

Combustível 135

Abastecimento 135

OPERAÇÃO

Equipamento de protecção 136

Instruções gerais de segurança 136

Transporte e armazenagem 137

ARRANQUE E PARAGEM

Antes de ligar 138

Arranque 138

Paragem 138

MANUTENÇÃO

Noções gerais 139

Esquema de manutenção 139

Limpeza 139

Inspecção funcional 140

Lubrificação 140

Produto desgastado 141

ESPECIFICAÇÕES TÉCNICAS

Especificações técnicas 142

Certificado CE de conformidade 143

APRESENTAÇÃO

Prezado cliente!

Muito obrigado por escolher um produto Husqvarna!

Esperamos que ficará satisfeito com a sua nova máquina e que ela o acompanhará durante muito tempo. A compra de qualquer dos nossos produtos dá-lhe acesso a ajuda profissional, incluindo reparações e assistência técnica. Se não tiver adquirido a sua máquina num dos nossos revendedores autorizados, pergunte onde fica a oficina especializada mais próxima.

Este manual tem um grande valor. Certifique-se de que este manual se encontra sempre à mão no local de trabalho. Seguindo o seu conteúdo (utilização, assistência técnica, manutenção, etc) aumentará consideravelmente a vida útil da máquina bem como o preço de venda em segunda mão da mesma. Se vender a sua máquina, entregue as instruções de utilização ao novo proprietário.

Mais de 300 anos de inovação

A Husqvarna, empresa baseada na Suécia, tem como base uma tradição que remonta a 1689, quando o rei sueco Karl XI mandou construir uma fábrica para fabricar mosquetes. Na época, estabeleceram-se as fundações para o desenvolvimento de capacidades relacionadas com a engenharia que se encontra por detrás de alguns dos produtos mais conhecidos do mundo, tais como armas de caça, bicicletas, motociclos, aparelhos domésticos, máquinas de costura e ferramentas para uso em exteriores.

A Husqvarna é a líder global em ferramentas motorizadas para uso em exteriores, tais como em silvicultura, manutenção de jardins e parques, cuidados da relva, bem como na área do equipamento de corte e ferramentas de diamante para a construção e a indústria de extracção e transformação de pedra.

Responsabilidade do utilizador

É da responsabilidade do proprietário/entidade empregadora que o operador tenha conhecimento suficiente sobre como utilizar a máquina em segurança. Os supervisores e os operadores devem ter lido e compreendido o Manual do Operador. Devem conhecer:

- As instruções de segurança da máquina.
- As diversas aplicações da máquina e as suas limitações.
- O modo como a máquina deve ser utilizada e mantida.

A legislação nacional poderá regular a utilização desta máquina. Informe-se da legislação aplicável no seu local de trabalho antes de utilizar esta máquina.

Ressalvas do fabricante

Toda a informação e dados contidos nestas instruções para o uso eram válidos na data em que as instruções para o uso foram entregues para serem impressas.

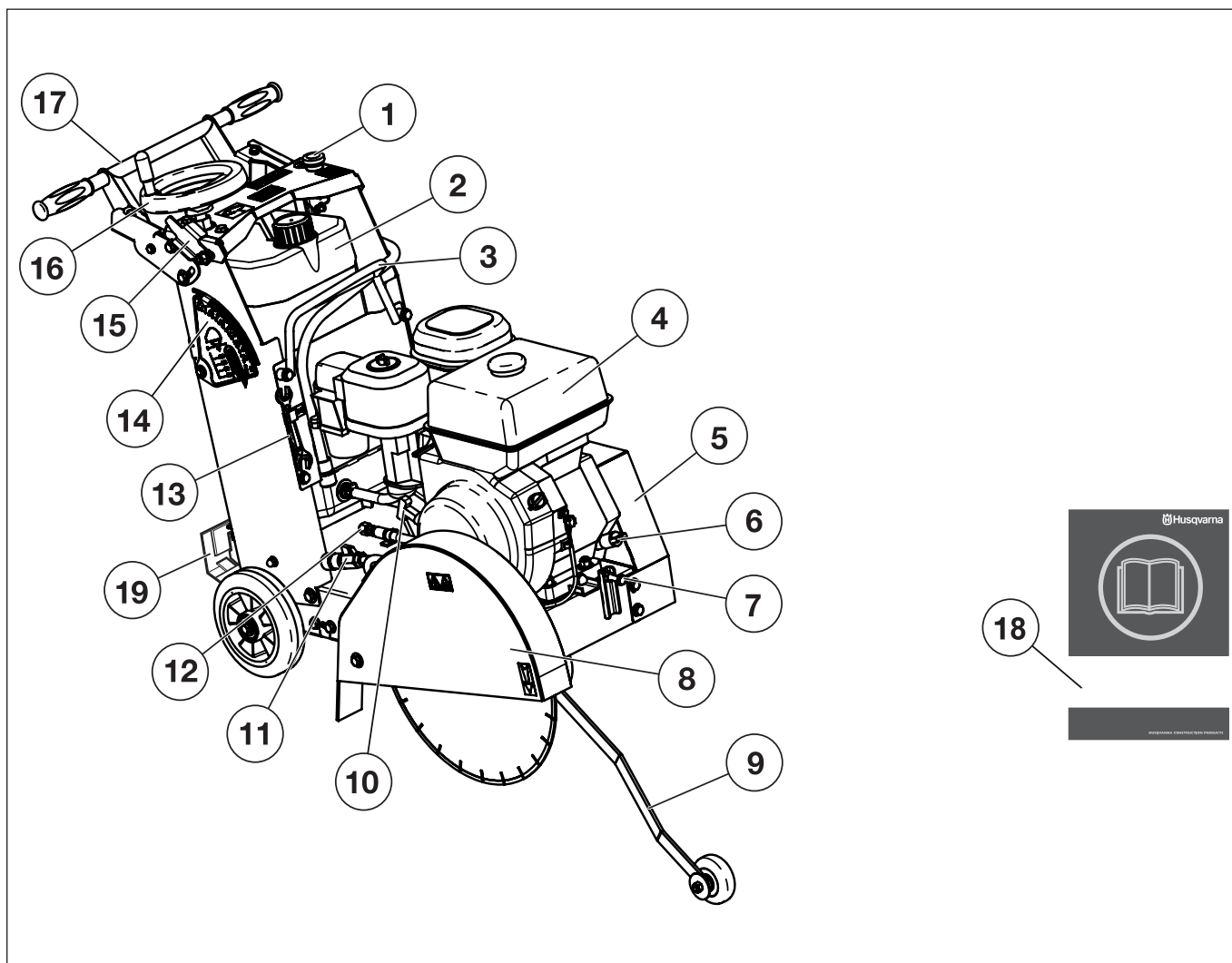
Husqvarna AB efectua o desenvolvimento contínuo dos seus produtos, reservando-se o direito de introduzir modificações referentes, entre outros, ao aspecto e forma dos mesmos sem aviso prévio.

Características

Os nossos valores, tais como a elevada performance, fiabilidade, tecnologia inovadora, soluções técnicas avançadas e o cuidado do ambiente, distinguem os produtos Husqvarna.

Algumas das características únicas dos nossos produtos encontram-se descritas em baixo.

APRESENTAÇÃO



Como se chama na máquina?

- | | |
|---|--|
| 1 Paragem da máquina | 11 Torneira da água |
| 2 Reservatório de água | 12 Drenagem, óleo de motor |
| 3 Argola de elevação | 13 Chave de serviço |
| 4 Depósito de combustível | 14 Indicador da profundidade de corte |
| 5 Cobertura de protecção - correia de transmissão | 15 Alavanca de bloqueio, profundidade de corte |
| 6 Enchimento com óleo de motor | 16 Roda de alimentação, profundidade de corte |
| 7 Parafuso tensor, correia de transmissão | 17 Punho |
| 8 Protecção do disco | 18 Instruções para o uso |
| 9 Guia dianteira | 19 Travão de estacionamento |
| 10 Pega do arranque | |

EQUIPAMENTO DE SEGURANÇA DA MÁQUINA

Noções gerais



ATENÇÃO! Nunca use uma máquina com peças de segurança defeituosas. Se a sua máquina não satisfizer a algum desses controlos, deverá ser enviada a uma oficina autorizada para reparação.

O motor deve ser desligado e o contacto de paragem deve ser colocado na posição de paragem (STOP).

Nesta secção esclarecem-se quais são as peças de segurança da máquina, que função desempenham e ainda como efectuar o controlo e a manutenção para se certificar da sua operacionalidade.

Paragem da máquina

A paragem da máquina é utilizada para desligar rapidamente o motor e todas as funções eléctricas, com excepção das luzes.

Testar a paragem da máquina

- Accione o botão de paragem da máquina e verifique se o motor pára.
- Desactive o botão de paragem da máquina (rode no sentido dos ponteiros do relógio).

Protecção do disco



ATENÇÃO! Verifique sempre se a protecção do disco está correctamente montada antes de pôr a máquina a funcionar.

A protecção da lâmina foi concebida para evitar que partes da lâmina ou fragmentos do corte sejam arremessados contra o utilizador.

Verificação da protecção da lâmina

Verifique a protecção da lâmina quanto a danos e rachaduras. Substitua a protecção da lâmina se esta tiver sido sujeita a golpes ou apresentar rachaduras.

Verifique sempre se a protecção está correctamente montada antes de pôr a máquina a funcionar. Verifique também se a lâmina está correctamente montada e intacta. Uma lâmina danificada pode causar ferimentos.

Silenciador



ATENÇÃO! Nunca use a máquina sem silenciador ou com um silenciador defeituoso. Um silenciador defeituoso pode aumentar consideravelmente o nível de ruído e o perigo de incêndio. Tenha à mão utensílios para extinção de incêndios.

O silenciador fica muito quente tanto durante o funcionamento como após se desligar a máquina. Isto aplica-se também quando a motosserra na marcha em vazio. Esteja consciente do perigo de incêndio, especialmente ao manusear substâncias inflamáveis e/ou gases.

O silenciador é construído para propiciar o mais baixo nível de ruído possível bem como desviar os gases de escape do utilizador.

Inspeção do silenciador

Verifique regularmente se o silenciador está completo e devidamente fixado.

MONTAGEM E AJUSTAMENTOS

Noções gerais

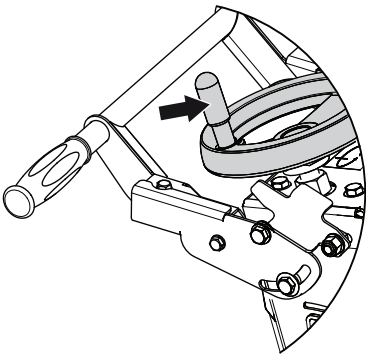


ATENÇÃO! A inspecção e/ou manutenção devem ser efectuadas com o motor desligado.

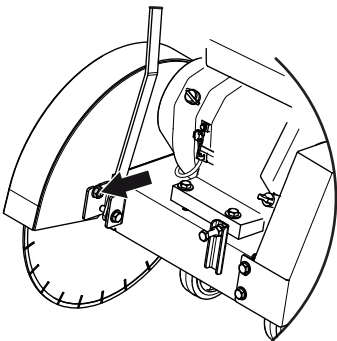
Antes de ligar a máquina, verifique se a lâmina e a protecção da lâmina estão correctamente montadas.

Montagem da lâmina

- Suba a roda de alimentação da profundidade de corte.



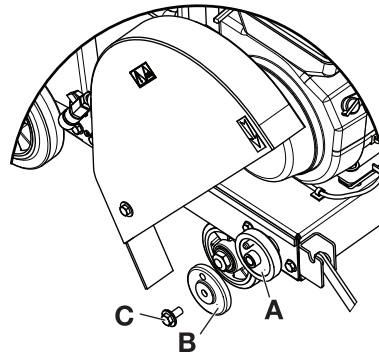
- Feche a torneira da água. Desligue a mangueira de água da protecção da lâmina.
- Desaperte a porca dianteira e incline a protecção da lâmina para a posição de serviço.



ATENÇÃO! Certifique-se de que a lâmina, a flange da lâmina e o eixo da lâmina não estão danificados. Limpe as superfícies de contacto da lâmina e da flange da lâmina. Certifique-se de que o disco e os flanges estão limpos e isentos de sujidade e resíduos antes de montar o disco na máquina.

- Verifique a direcção de rotação do disco. A seta na lâmina indica o sentido de rotação.

- Coloque a lâmina no eixo da lâmina (A). Coloque a flange da lâmina (B) sobre a lâmina. Certifique-se de que o pino de bloqueio no flange (A) passa pela lâmina e para dentro do flange (B). Aperte o parafuso (C) correctamente com a chave fornecida.

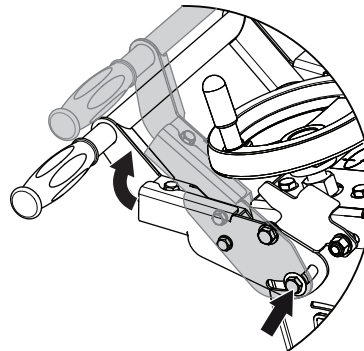


- Reinstale a protecção da lâmina e a mangueira da água na ordem inversa, conforme definido para a desmontagem.

Altura do punho

A altura da alavanca pode ser ajustada.

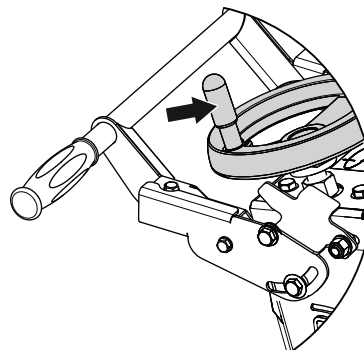
- Desaperte o parafuso. Regule o punho para a posição de trabalho mais confortável. Aperte o parafuso.



Indicador da profundidade de corte

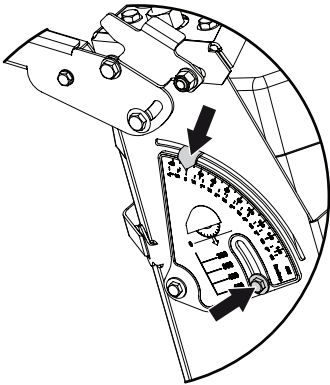
O indicador tem de ser calibrado antes de ser usado.

- Baixe a lâmina até esta tocar muito levemente no solo.



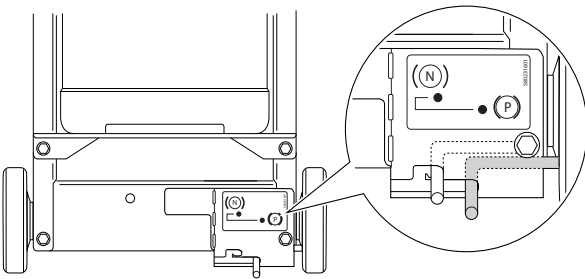
MONTAGEM E AJUSTAMENTOS

- Desaperte o parafuso. Coloque a seta indicadora na posição "0". Aperte o parafuso.



Travão de estacionamento

Activar o travão de estacionamento



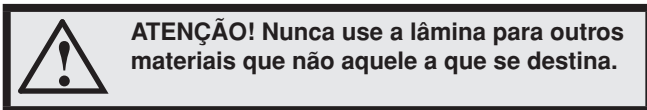
Noções gerais

- Os discos de diamante consistem de uma estrutura de aço com segmentos que contêm diamantes industriais.
- Use sempre um disco de diamante afiado.
- Os discos devem estar marcados com a rotação igual ou superior à indicada na placa de tipo da máquina.
- Usar apenas discos genuínos destinados à máquina.

Refrigeração a água

Deve-se usar sempre arrefecimento a água. Este arrefece os discos, aumentando-lhes assim a vida, e reduz a produção de poeira.

Discos de diamante para materiais diversos



A Husqvarna tem uma vasta gama de lâminas de corte húmido para corte de pavimentos e paredes, incluindo lâminas para tudo desde betão fresco até betão endurecido com diferentes classes de dureza, bem como uma vasta gama de lâminas para asfalto. Consulte o seu revendedor Husqvarna sobre qual a lâmina mais adequada para a sua aplicação.

Verificação da lâmina

- Verifique que a lâmina e a protecção da lâmina não estão danificadas nem rachadas. Substitua a lâmina ou a protecção da lâmina se alguma delas tiver sido exposta a impactos ou estiver rachada. Não use nunca um disco danificado ou gasto.
- Verificar se chega à lâmina água em quantidade suficiente.

Transporte e armazenagem

- Inspeccione discos novos com vista a danos causados por transporte ou armazenamento.
- A lâmina deve ser desmontada da máquina e bem guardada após o uso. Guarde a lâmina seca.

MANEJO DE COMBUSTÍVEL

Noções gerais



ATENÇÃO! A utilização dum motor em ambiente fechado ou mal ventilado pode causar a morte por asfixia ou envenenamento por gás carbónico.

O combustível e os vapores do combustível são muito inflamáveis e podem causar graves lesões em caso de inalação ou contacto com a pele. Seja portanto cauteloso ao manusear combustível e providencie de modo a haver boa ventilação durante o manuseamento de combustível.

Os gases de escape do motor são quentes e podem conter faíscas causadoras de incêndios. Portanto, nunca arranque com a máquina em interiores ou nas proximidades de material inflamável!

Não fume nem ponha objectos quentes na proximidade de combustível.

Combustível

ATENÇÃO! A máquina está equipada com um motor a quatro tempos. Certifique-se de que o motor tem sempre óleo suficiente.

Gasolina

- Use gasolina de qualidade, com ou sem chumbo.
- O índice de octano mínimo recomendado é 90 (RON). No caso do motor funcionar com gasolina com um índice de octano inferior a 90, o motor pode começar a "grilar". Isso pode causar um aumento de temperatura no motor que pode causar graves avarias no mesmo.

Óleo de motor

- Verifique o nível do óleo antes de pôr a máquina a funcionar. Um nível insuficiente de óleo pode causar graves danos no motor. Ver as instruções na secção "Manutenção".
- Não use nunca óleo para motores de dois tempos.

Abastecimento



ATENÇÃO! Pare o motor e deixe arrefecer alguns minutos antes de abastecer.

Abra a tampa do depósito devagar, ao abastecer, para dar saída lenta aos gases se houver um excesso de pressão.

Limpe a zona em torno da tampa do depósito de combustível.

Aperte bem a tampa do depósito após abastecer.

Afaste a máquina pelo menos 3 metros do lugar onde abasteceu, antes de arrançar.

Nunca arranque com a máquina:

- Se derramou combustível ou óleo sobre a máquina. Remova todo o líquido derramado e deixe que os restos de combustível se evaporem.
- Se derramou combustível sobre si próprio ou na sua roupa, troque de roupa. Lave as partes do corpo que estiveram em contacto com o combustível. Lave com água e sabonete.
- Se a máquina tiver fuga de combustível. Controle regularmente se há fugas na tampa do depósito e nos tubos de combustível.

Transporte e armazenagem

- Guarde e transporte a máquina e o combustível de modo tal que não haja o risco de possíveis fugas e vapores entrarem em contacto com fontes de faíscas ou chama aberta, tais como máquinas e motores eléctricos, contactos/interruptores eléctricos ou mesmo caldeiras.
- Ao armazenar e transportar combustível, utilize recipiente especialmente destinado e aprovado para esse fim.

Armazenamento por tempo prolongado

- Em armazenagem por tempo prolongado, o depósito de combustível da máquina deve ser esvaziado. Consulte o posto de abastecimento mais próximo sobre como proceder com o combustível excedente.

OPERAÇÃO

Equipamento de protecção

Noções gerais

- Nunca use uma máquina sem que possa pedir ajuda em caso de acidente.

Equipamento de protecção pessoal

Em quaisquer circunstâncias de utilização da máquina deve ser utilizado equipamento de protecção pessoal aprovado. O equipamento de protecção pessoal não elimina o risco de lesão mas reduz os seus efeitos em caso de acidente. Consulte o seu concessionário na escolha do equipamento.



ATENÇÃO! A utilização de produtos de corte, esmerilhamento, perfuração, polimento ou configuração de material, podem criar poeiras e vapores contendo químicos prejudiciais para a saúde. Informe-se sobre a composição do material com que trabalha e use uma máscara respiratória adequada.

A exposição prolongada a ruídos pode provocar danos auditivos permanentes. Por isso, use sempre protectores acústicos aprovados. Esteja sempre atento a sinais de alarme ou avisos de viva voz quando usar protectores acústicos. Retire os protectores acústicos logo que o motor tenha parado.

Use sempre:

- Capacete protector aprovado.
- Protectores acústicos aprovados.
- Óculos ou viseira de protecção.
- Máscara respiratória.
- Vestuário justo, forte e confortável que permita total liberdade de movimentos.
- Botas com biqueiras de aço e solas antideslizantes.

Outro equipamento de protecção

IMPORTANTE! Podem originar-se faíscas que podem causar um incêndio, ao trabalhar com a máquina. Tenha sempre à mão utensílios para extinção de incêndios.

- Extintor de incêndios.
- Os primeiros socorros devem sempre estar à mão.

Instruções gerais de segurança

Esta secção descreve as regras básicas de segurança para o trabalho com a máquina. A informação apresentada nunca substitui os conhecimentos, capacidades e a experiência de um profissional.

- Leia as instruções para o uso com toda a atenção e compreenda o seu conteúdo antes de fazer uso da máquina.

- Esteja consciente de que o operador é responsável por acidentes e situações que possam representar perigo de danos pessoais ou materiais a terceiros.
- A máquina deve ser mantida limpa. As sinalizações e os autocolantes deverão estar totalmente legíveis.

Use sempre o seu bom senso

Não é possível cobrir todas as situações possíveis que poderá enfrentar. Actue sempre com precaução e use de senso comum. Caso se encontre numa situação em que se sinta inseguro, interrompa o trabalho e consulte um especialista. Contacte o seu revendedor, a sua oficina de serviço ou um utilizador experiente. Evite toda a utilização para a qual não se sinta suficientemente habilitado!



ATENÇÃO! A máquina, se for usada de forma indevida ou incorrecta, pode ser perigosa, causando sérios ferimentos ou mesmo a morte do utente ou outras pessoas.

Nunca deixar crianças ou outras pessoas utilizar a máquina ou efectuar a manutenção que não estejam devidamente formadas no seu manuseamento.

Nunca permita que outra pessoa utilize a máquina sem estar certo de que a mesma entendeu o conteúdo do manual de instruções.

Nunca use a máquina quando estiver cansado, tiver bebido álcool ou tomado remédios que possam afectar a sua vista, a sua capacidade de discernimento ou o seu controlo físico.



ATENÇÃO! Modificações e/ou acessórios não autorizados podem provocar sérias lesões ou perigo de vida para o utilizador ou outros. Sob nenhuma circunstância é permitido modificar a configuração original da máquina sem a autorização expressa do fabricante.

Não modifique nunca esta máquina de forma a deixar de corresponder à versão original e não a use caso pareça ter sido modificada por outros.

Nunca use uma máquina defeituosa. Efectue as verificações de segurança e cumpra as instruções de manutenção e assistência técnica contidas neste manual. Alguns serviços de manutenção e de assistência técnica deverão ser executados por especialistas qualificados. Consulte as instruções na secção Manutenção.

Devem usar-se sempre acessórios originais.

OPERAÇÃO



ATENÇÃO! Esta máquina produz um campo electromagnético durante o funcionamento. Em determinadas circunstâncias, este campo pode interferir com o funcionamento de implantes médicos activos ou passivos. Para reduzir o risco de lesões graves ou mortais, recomendamos que portadores de dispositivos implantados consultem o seu médico e o fabricante do implante antes de utilizar a máquina.

Segurança no local de trabalho

- Observe a zona de modo a assegurar-se de que nada irá afectar o seu controlo sobre a máquina.
- Certifique-se de que nenhuma pessoa ou objecto entra em contacto com o equipamento de corte nem é atingido por peças projectadas pela lâmina.
- Evite o uso em condições meteorológicas desfavoráveis. Por exemplo, em denso nevoeiro, chuva e vento fortes, frio intenso, etc. Trabalhar com mau tempo é cansativo e pode levar a situações perigosas, tais como ir para terreno escorregadio.
- Nunca inicie o trabalho com a máquina antes de certificar-se que o local de trabalho está desimpedido e que tenha um apoio seguro para os seus pés. Observe se há eventuais obstáculos caso necessite de deslocar-se inesperadamente. Assegure-se que não possa cair nenhum material, causando danos, enquanto estiver a trabalhar com a máquina. Tenha muito cuidado ao trabalhar em terreno inclinado.
- Assegure-se de que a área de trabalho está suficientemente iluminada, para que o ambiente de trabalho seja seguro.
- Assegure-se de que não existem canalizações ou cabos eléctricos na área de trabalho ou no interior do material a ser cortado.
- Certifique-se de que os cabos eléctricos existentes dentro da área de trabalho não estão sob tensão.

Técnicas básicas de trabalho



ATENÇÃO! O eixo da lâmina roda quando o motor arranca ou é iniciado.

- Esta máquina está concebida e destinada para o corte de betão fresco e endurecido com classes diferentes de dureza e para o corte de asfalto. É errada qualquer outra utilização.
- Serre sempre de forma a permitir um acesso fácil à paragem da máquina.
- Verifique se não existem ferramentas ou outros objectos caídos na máquina.
- Não deixe nunca a máquina sem vigilância com o motor a trabalhar.
- Verifique sempre se a protecção do disco está correctamente montada antes de pôr a máquina a funcionar. Nunca corte sem utilizar a protecção da l&

- Antes de serrar, todos os cortes que vão ser executados deverão ser marcados nitidamente e planeados de forma a poderem ser efectuados sem perigo para pessoas ou para a máquina.
- Não vire, rode nem mova a máquina lateralmente enquanto a lâmina estiver a rodar.
- Fixe firmemente ou ancore os blocos de cimento antes de cortar. O peso elevado do material cortado pode causar bastantes danos à máquina e ferimentos pessoais graves, caso não possa ser movido em condições controladas.
- Ao usar a máquina, trate sempre de ter mais alguém perto de si, de modo a poder pedir ajuda no caso de ocorrer um acidente.

Transporte e armazenagem

- A máquina está equipada com rodas de transporte, e pode ser transportada facilmente sem que o motor esteja a trabalhar. Certifique-se de que a lâmina está na posição superior antes de mover a máquina.
- Desmonte a lâmina antes de transportar ou armazenar a máquina.
- Tenha cuidado ao levantar pesos. As peças com que trabalha são pesadas, o que implica, entre outros, perigo de esmagamento.
- Utilize sempre a pega de levantamento montada na máquina para a levantar.
- Fixe o equipamento para transportá-lo, de modo a evitar danos e acidentes durante o transporte.
- Para transportar e armazenar combustível, consulte a secção "Manuseamento de combustível".
- Para transportar e armazenar Lâminas, consulte a secção "Lâminas".
- Armazene o equipamento numa área que seja possível de trancar, de modo a mantê-lo fora do alcance de crianças e pessoas não autorizadas.
- Se houver risco de congelação, a máquina tem de ser drenada de qualquer água restante.

ARRANQUE E PARAGEM

Antes de ligar

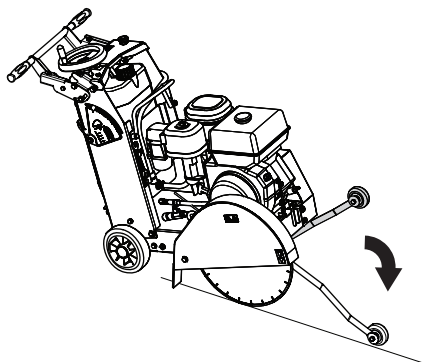


ATENÇÃO! Leia as instruções para o uso com toda a atenção e compreenda o seu conteúdo antes de fazer uso da máquina.

Use equipamento de protecção pessoal. Ver as instruções na secção "Equipamento de protecção pessoal".

Não permita a presença de pessoas estranhas na área de trabalho, sob risco de danos pessoais sérios.

- Execute uma manutenção diária. Ver as instruções na secção "Manutenção".
- Encha o reservatório de água ou ligue a máquina a um fornecimento de água.
- Marque os cortes que pretende efectuar.
- O ponteiro dianteiro tem de ser verificado para o alinhamento com a lâmina.
- Coloque um rebordo reto ao longo do flange interno. Alinhe o ponteiro dianteiro com o rebordo reto. Se necessário, ajuste o ponteiro dianteiro, desapertando as porcas que mantêm a roda guia no lugar. Alinhe a roda guia com o rebordo reto e volte a apertar as porcas.
- Baixe a guia dianteira e alinhe a máquina com a marca.



Arranque

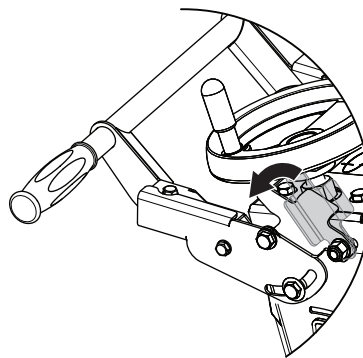
Ligar o motor

- Leia o manual do utilizador fornecido pelo fabricante do motor.

Inicie o corte

- Abra a torneira da água.
- Verifique se a tubagem da água na protecção da lâmina está aberta e se cada um dos lados da lâmina tem um fornecimento adequado de água.
- Teste o fornecimento de água quanto à pressão e à quantidade (fluxo) antes de ligar a serra.
- Ligue o motor com aceleração total.

- Baixe o controlo de bloqueio da roda para regular a profundidade de corte.



- Serre apenas com a profundidade requerida pelas especificações do trabalho. Serrar com uma profundidade superior à necessária provoca um desgaste excessivo à lâmina e à máquina.
- Efetue um corte de orientação, com aproximadamente 20-30 mm (1 polegada) de profundidade.
- Corte incrementos com 50 mm (2 polegadas) de profundidade até atingir a especificação da profundidade de corte. Isso é conhecido como 'corte por etapas'.
- Suba o controlo de bloqueio da roda para regular a profundidade de corte.
- Serre apenas em linha reta. Marque a linha de corte de forma clara para que o operador da serra a possa seguir sem dificuldade.
- Empurre a máquina lentamente para a frente. Certifique-se de que a guia dianteira e a lâmina não se desviam da marca.

ATENÇÃO! A serra NÃO pode ser rodada de um lado para o outro para ser forçada de volta à linha.

Paragem

Pare o corte.

- Baixe o controlo de bloqueio da roda para regular a profundidade de corte. Solte a lâmina do sulco.
- Suba o controlo de bloqueio da roda para regular a profundidade de corte.
- Feche a torneira da água.

Parar o motor

- Leia o manual do utilizador fornecido pelo fabricante do motor.
- Accione o botão de paragem da máquina e verifique se o motor pára.

MANUTENÇÃO

Noções gerais



ATENÇÃO! O utente só pode efectuar trabalhos de manutenção e assistência do tipo descrito nestas instruções. Intervenções maiores devem ser efectuadas por uma oficina autorizada.

A inspecção e/ou manutenção devem ser efectuadas com o motor desligado.

Use equipamento de protecção pessoal. Ver as instruções na secção "Equipamento de protecção pessoal".

A duração da máquina pode ser afectada e o perigo de acidentes pode aumentar se a manutenção da máquina não for correcta e se as revisões e reparações não forem executadas de forma profissional. Se necessitar de mais esclarecimentos, entre em contacto com uma oficina autorizada.

- Permita ao seu revendedor Husqvarna que verifique a sua máquina com regularidade e faça os ajustamentos e as reparações necessários.

Esquema de manutenção

No esquema de manutenção, pode verificar quais as peças da sua máquina que necessitam de manutenção, e a que intervalos deve efectuar essa manutenção. Os intervalos são calculados com base numa utilização diária da máquina, podendo diferir dependendo da taxa de utilização da máquina.

Controle diário
Limpeza
Limpeza do exterior
Filtro de ar
Recipiente de resíduos
Inspecção funcional
Inspecção geral
Óleo de motor
Correia de transmissão
Paragem da máquina*
Protecção dos discos*
Silenciador*
Lâmina**
Lubrificação
Eixo da lâmina, diariamente
Copo de lubrificação do sistema de ajuste da profundidade, diariamente

Ver instruções na secção "Equipamento de segurança da máquina".

**Ver instruções na secção "Discos de corte" e "Montagem e configuração"

Limpeza

Limpeza do exterior

- Verifique que todas as uniões, ligações e cabos estão intactos e limpos.
- A lâmina é arrefecida através da água que é pulverizada através dos pequenos orifícios na protecção da lâmina. Certifique-se de que estes pequenos orifícios não estão obstruídos, para que a lâmina possa ser devidamente arrefecida.

Filtro de ar

Para limpar ou substituir o filtro de ar, leia o manual do utilizador fornecido pelo fabricante do motor.

- O filtro de ar poderá ter de ser limpo 2-3 vezes por dia em ambientes com muita poeira.
- Um filtro danificado deve sempre ser substituído.



NOTA! O filtro não pode ser limpo com ar comprimido; caso contrário, é danificado. Os filtros podem ser aspirados para limpeza, mas evite atingir ou arrastar itens através da superfície; caso contrário, o filtro é danificado.

Os filtros de papel devem ser eliminados corretamente e substituídos.

Um filtro de poliéster pode ser limpo por aspiração ou lavagem de baixa pressão.

Não utilize a lavagem a alta pressão, pois danificará o filtro.

Um filtro danificado deve sempre ser substituído.

Um filtro lavado tem de estar 100% seco antes de voltar a ser colocado no equipamento.

Vela de ignição

- Se a potência da máquina for baixa, se for difícil de arrancar ou se a marcha em vazio for irregular: comece sempre por inspeccionar a vela de ignição antes de tomar outras providências.
- Verifique se o cachimbo da vela e o cabo de ignição estão em bom estado para evitar o risco de choques eléctricos.
- Se a vela de ignição estiver suja, limpe-a e, em simultâneo, verifique a distância entre os eléctrodos. Troque se necessário. Para obter informações sobre o motor, consulte o manual de instruções fornecido.

NOTA! Use sempre o tipo de vela de ignição recomendado! Uma vela de ignição incorrecta pode danificar o pistão/cilindro.

Esses factores causam a formação de crostas nos eléctrodos da vela de ignição e podem ocasionar problemas no funcionamento e dificuldades em arrancar.

- Uma mistura incorrecta de óleo no combustível (óleo a mais ou de tipo errado).
- Filtro de ar sujo.

Inspeção funcional

Inspeção geral

- Verifique se os parafusos e as porcas estão apertados.

Óleo de motor

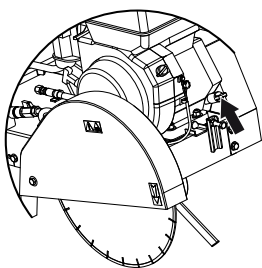


CUIDADO! Esteja consciente de que o óleo pode ser prejudicial para a saúde e para o meio ambiente. Siga as normas locais de eliminação e reciclagem.

Para substituir o óleo de motor, leia o manual do utilizador fornecido pelo fabricante do motor.

Controle do nível de óleo do motor

- O motor tem de ser colocado na horizontal para verificar o nível do óleo. Desmonte a lâmina ou tome outras medidas para conseguir inclinar a máquina de modo a que o motor fique numa posição horizontal.
- Verifique o nível do óleo e adicione óleo caso seja necessário. O nível do óleo nunca pode estar abaixo da marca inferior na vareta de nível, consulte o manual do motor.



- Para obter o melhor resultado e funcionamento, use óleo de motor HUSQVARNA
- Caso não haja óleo de motor HUSQVARNA disponível, pode-se usar outro óleo de motor de alta qualidade. Utilize óleo de motor da qualidade SAE 10W-30, classe API, MS, SD, SE ou superior.
- Não use nunca óleo para motores de dois tempos.

Correia de transmissão

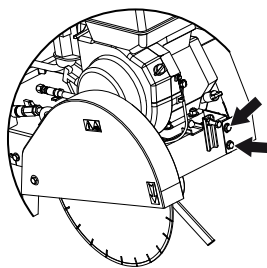
ATENÇÃO! Não estique demasiado a correia de transmissão.

- Verifique que a correia de transmissão não está danificada e não apresenta defeitos visíveis.

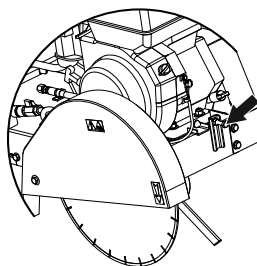
Esticar a correia de accionamento

Uma correia de accionamento nova deve ser esticada uma vez, após a máquina ter consumido um ou dois depósitos de combustível.

- Desaperte os parafusos da proteção da correia. Retire a cobertura.



- Desaperte os parafusos que mantêm o motor no devido lugar.
- Rode o parafuso tensor um quarto de volta. O motor será empurrado para trás e a correia será esticada.



- Certifique-se de que as polias estão paralelas e alinhadas entre si. Aperte os parafusos que mantêm o motor no devido lugar e, em seguida, desaperte 2 voltas o parafuso de tensão para evitar que este entre em contacto com o bloco do motor. Volte a instalar a protecção da correia e aperte os parafusos que a mantêm no devido lugar.

Sistema de combustível

Noções gerais

- Verifique se a tampa do depósito e respectiva vedação estão intactas.
- Verifique a mangueira de combustível. Troque se necessário.

Lubrificação

Eixo da lâmina

- Aplique diariamente massa lubrificante nos eixos da lâmina. Ligue a bomba de massa lubrificante e dê à bomba 3 a 5 vezes ou até visualizar massa nas extremidades. Utilize apenas massa lubrificante DIN 51825 com classificação K2K-30 ou K3K-30.

Copo de lubrificação para regular a profundidade de corte

Lubrifique, diariamente, os bocais de lubrificação da definição da profundidade de corte.

Porca para aumentar a profundidade de corte

Aplicar massa lubrificante no parafuso de alimentação alguns centímetros acima e abaixo da porca e ajustar a serra para cima e para baixo algumas vezes para espalhar a massa lubrificante.

Produto desgastado

Esta máquina apresenta características que a farão durar muitos anos. Este facto minimiza o impacto ambiental da máquina. Realize as revisões e manutenção de acordo com as instruções contidas neste manual. Desta forma, o motor durará mais tempo e as emissões prejudiciais serão minimizadas.

Quando a máquina estiver desgastada, deverá ser enviada para reciclagem ou colocada na sucata. Siga as normas locais de eliminação e reciclagem.

Principais materiais

Motor

Alumínio (AL), aço (AC), cobre (CU), poliamida (PA).

Máquina

Aço (AC), ferro fundido (FT), alumínio (AL).

ESPECIFICAÇÕES TÉCNICAS

Especificações técnicas

FS 400 LV

	450/18	500/20
Dimensão da lâmina - máx., mm/polegadas	450/18	500/20
Profundidade da serra - máx, mm/polegadas	162/6.5	187/7.5
A velocidade de rotação do fuso (à rotação do motor de 3700 rpm), rpm	3000	
Tamanho da haste, mm/polegadas	25.4/1	
Diâmetro do flange da lâmina, mm/pol.	89/3.5	
Óleo de motor	SAE 10W-30, classe API, MS, SD, SE ou superior.	
Peso		
Máquina com reservatórios vazios, kg/lb	104/229	107/236
Peso operacional, kg/lb	135/298	145/320
Dimensões, (CxLxA), mm/polegadas	1090x615x990/ 42.9x24.2x39.0	1120x615x990/ 44.1x24.2x39.0

Emissões de ruído (ver nota 1)	
Nível de potência sonora, medido em dB(A)	109
Nível de potência sonora, L_{WA} garantido dB(A)	112
Níveis acústicos (ver nota 2)	
Nível de pressão acústica junto ao ouvido do utilizador, dB(A)	90
Níveis de vibração, a_{hv} (ver nota 3)	
Punho direito, m/s^2	2.5
Punho esquerdo, m/s^2	3.2

Nota 1: Emissões sonoras para as imediações, medidas sob forma de potência sonora (L_{WA}) conforme a directiva da CE 2000/14/CE.

Nota 2: Nível de ruído em conformidade a EN 13862. Os dados comunicados relativamente ao nível de pressão de ruído tem uma dispersão estatística típica (desvio padrão) de 4,0 dB(A).

Nota 3: Nível de vibração em conformidade com a EN 13862. Os dados comunicados relativamente ao nível de vibração têm uma dispersão estatística típica (desvio padrão) de 1,5 m/s^2 .

ESPECIFICAÇÕES TÉCNICAS

Certificado CE de conformidade

(Válido unicamente na Europa)

A **Husqvarna AB**, SE-561 82 Huskvarna, Suécia, tel. +4636146500, declara, sob sua inteira responsabilidade, que a serra plana **Husqvarna FS 400 LV**, com números de série de 2016 e seguintes (o ano é indicado claramente na etiqueta de tipo, seguido do número de série), está em conformidade com o estipulado na DIRETIVA DO CONSELHO:

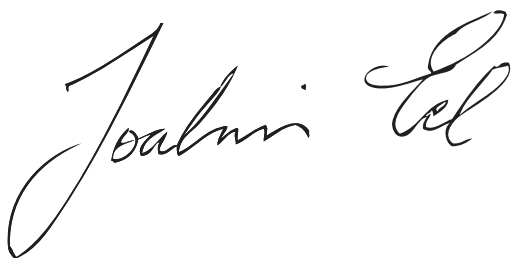
- de 17 de Maio de 2006 "referente a máquinas" **2006/42/CE**.
- de 26 de Fevereiro de 2014 "referente a compatibilidade electromagnética" **2014/30/UE**.
- de 8 de Maio de 2000 "referente à emissões sonoras para as imediações" **2000/14/CE**.

Foram respeitadas as normas seguintes:

EN ISO 12100:2010, CISPR12:2007+Amd1:2009, EN 55012:2007+A1:2009, EN ISO 14982:2009, EN 13862/A1:2009

A SMP Svensk Maskinprovning AB, Box 7035, SE-750 07 Uppsala, Suécia, executou o controle voluntário de tipo, de acordo com o disposto na directiva sobre máquinas (2006/42/CE), a pedido de Husqvarna AB. O certificado tem o número: SEC/17/2477

Gotemburgo, 30 de março de 2016



Joakim Ed

Diretor de I&D global

Construction Equipment Husqvarna AB

(Representante autorizado da Husqvarna AB e responsável pela documentação técnica.)

EXPLICAÇÃO DOS SÍMBOLOS

Símbolos na máquina:

ATENÇÃO! Se a máquina for usada de forma indevida ou incorreta, poderá ser perigosa, causando sérios ferimentos ou até mesmo a morte do usuário ou outras pessoas.



Leia as instruções de uso com atenção e compreenda seu conteúdo antes de usar a máquina.



Use equipamento de proteção pessoal. Consulte as instruções na seção "Equipamento de proteção pessoal".



Todos os deslocamentos da máquina fora da área de corte devem ser realizados com a ferramenta fora de rotação.



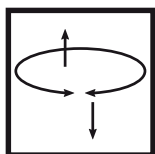
Remova a lâmina antes de içar, carregar, descarregar e transportar a máquina.



Seta no protetor da ferramenta, indicando o sentido de rotação da ferramenta.



Corte por imersão e emersão.



As proteções devem sempre estar instaladas na máquina. Nunca permita que a exposição da lâmina exceda 180°.



Verifique o equipamento de corte. Nunca use equipamentos cegos, trincados ou danificados.



As lâminas devem receber marcação da mesma velocidade ou velocidade superior que aquela informada na placa de classificação da máquina. Um disco de corte funcionando a uma velocidade muito alta pode quebrar ou causar sérios danos.



Não utilize a máquina perto de substâncias ou gases inflamáveis.



ATENÇÃO! Durante a operação de corte, ocorre a geração de poeira, a qual poderá causar danos à saúde se inalada. Use uma máscara de respiração aprovada. Evite inalar gases de gasolina e gases de escape. Sempre preveja boa ventilação.



Superfície quente.



Perigo da máquina! Sempre mantenha as partes do seu corpo longe da lâmina e de todas as demais peças móveis.



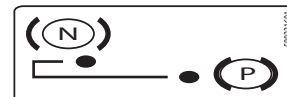
Risco de corte. Mantenha todas as peças de seu corpo longe dos equipamentos de corte.



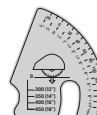
Parada da transmissão



Freio de estacionamento Ativado / desativado



Indicador de profundidade de corte



Encha o reservatório somente com água.



Mantenha a serra nivelada, sem lâmina, ao verificar o nível do óleo.



Use sempre a argola de elevação instalada na máquina quando levantá-la.



Este produto está em conformidade com as diretivas válidas da CE. Se marcado na máquina.



Emissões sonoras ao meio ambiente estão em conformidade com a diretiva da Comunidade Européia. As emissões da máquina estão especificadas no capítulo Especificações técnicas e no adesivo indicativo.



FS400 LV

Husqvarna
FS 400 LV

EXPLICAÇÃO DOS SÍMBOLOS

Placa de valores nominais

A: Marca

B: Fabricante, endereço

C: Tipo

D: Data de fabricação, ano, semana Número de série

E: Número do produto

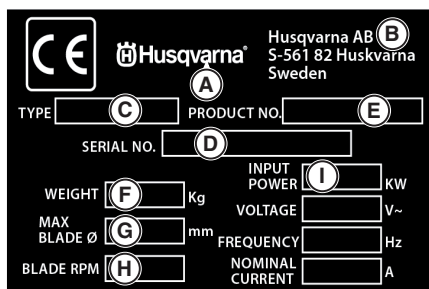
F: Peso

G: Tamanho da lâmina - máx, mm

H: Velocidade, disco, rpm

I: Potência máxima (kW)

Outros símbolos ou decalques presentes na máquina referem-se a exigências especiais de certificação para mercados específicos.



Explicação dos níveis de avisos

Os avisos estão classificados em três níveis.

ATENÇÃO!



ATENÇÃO! É usado caso exista risco de ferimento grave ou morte para o operador ou de danos nas zonas próximas, caso não sejam obedecidas as instruções do manual.

CUIDADO!



CUIDADO! É usado caso exista risco de ferimento para o operador ou de danos nas proximidades, se não forem seguidas as instruções do manual.

ATENÇÃO!

ATENÇÃO! É usado caso exista risco de danos aos materiais ou à máquina, se não forem seguidas as instruções do manual.

Índice

EXPLICAÇÃO DOS SÍMBOLOS

Símbolos na máquina:	144
Explicação dos níveis de avisos	145

ÍNDICE

Índice	146
--------------	-----

APRESENTAÇÃO

Prezado cliente!	147
Recursos	147

APRESENTAÇÃO

Quais são os nomes dos componentes da máquina? .	148
--	-----

EQUIPAMENTO DE SEGURANÇA DA MÁQUINA

Noções gerais	149
---------------------	-----

MONTAGEM E AJUSTES

Noções gerais	150
Ajuste da lâmina	150
Altura da alavanca	150
Indicador de profundidade de corte	150
Freio de estacionamento	151

LÂMINAS

Noções gerais	152
Refrigeração a água	152
Lâminas de diamante para diferentes materiais	152
Verificação da lâmina	152
Transporte e armazenagem	152

MANUSEIO DO COMBUSTÍVEL

Noções gerais	153
Combustível	153
Abastecimento	153

OPERAÇÃO

Equipamento de proteção	154
Precauções gerais de segurança	154
Transporte e armazenagem	155

ARRANQUE E PARADA

Antes de ligar	156
Partida	156
Parada	156

MANUTENÇÃO

Noções gerais	157
Cronograma de manutenção	157
Limpeza	157
Inspeção funcional	158
Engraxamento	158
Produto gasto	159

ESPECIFICAÇÕES TÉCNICAS

Especificações técnicas	160
Certificado CE de conformidade	161

APRESENTAÇÃO

Prezado cliente!

Obrigado por escolher um produto Husqvarna!

Nosso desejo é vê-lo satisfeito com o produto que adquiriu e que ele seja uma boa companhia por muito tempo. Ao comprar um produto Husqvarna, você passa a ter acesso a ajuda profissional para reparos e serviços. Caso a loja em que você comprou sua máquina não seja um revendedor autorizado Husqvarna, solicite a ele o endereço da oficina de serviços mais próxima de você.

Este manual é muito importante. Certifique-se de que ele esteja sempre disponível no local de trabalho. Seguindo as orientações deste manual (uso, serviço, manutenção, etc.), será possível estender tanto a vida útil da máquina, como o seu valor de revenda. Se você tiver de emprestar ou vender a máquina, não esqueça de entregar também o manual de operação ao comprador ao novo usuário, de modo que ele também saiba como utilizar a máquina e fazer a manutenção corretamente.

Mais de 300 anos de inovação

A Husqvarna AB é uma empresa de origem sueca, cuja tradição remonta a 1689, quando o rei Carlos XI da Suécia ordenou a construção de uma fábrica para produção de mosquetes. Já naquele tempo, estavam postas as fundações das habilidades de engenharia que foram responsáveis pelo desenvolvimento de produtos líderes mundiais em áreas como armas de caça, bicicletas, motocicletas, aparelhos domésticos, máquinas de costura e produtos para uso ao ar livre.

A Husqvarna é líder mundial em produtos de força para uso em silvicultura, manutenção de parques, gramados e jardins, além de equipamentos de corte e ferramentas diamantadas para construção e pedreiras.

Responsabilidade do usuário

É de responsabilidade do proprietário/empregador garantir que o operador tenha conhecimento suficiente sobre como usar a máquina com segurança. Os supervisores e os operadores devem ler e compreender o Manual do Operador. Eles devem conhecer:

- As instruções de segurança da máquina.
- As diversas aplicações da máquina e suas limitações.
- O modo como a máquina deverá ser usada e mantida.

Leis nacionais podem regulamentar a utilização desta máquina. Informe-se qual é a legislação aplicável ao local onde se realiza o trabalho, antes de começar a usar a máquina.

Ressalvas do fabricante

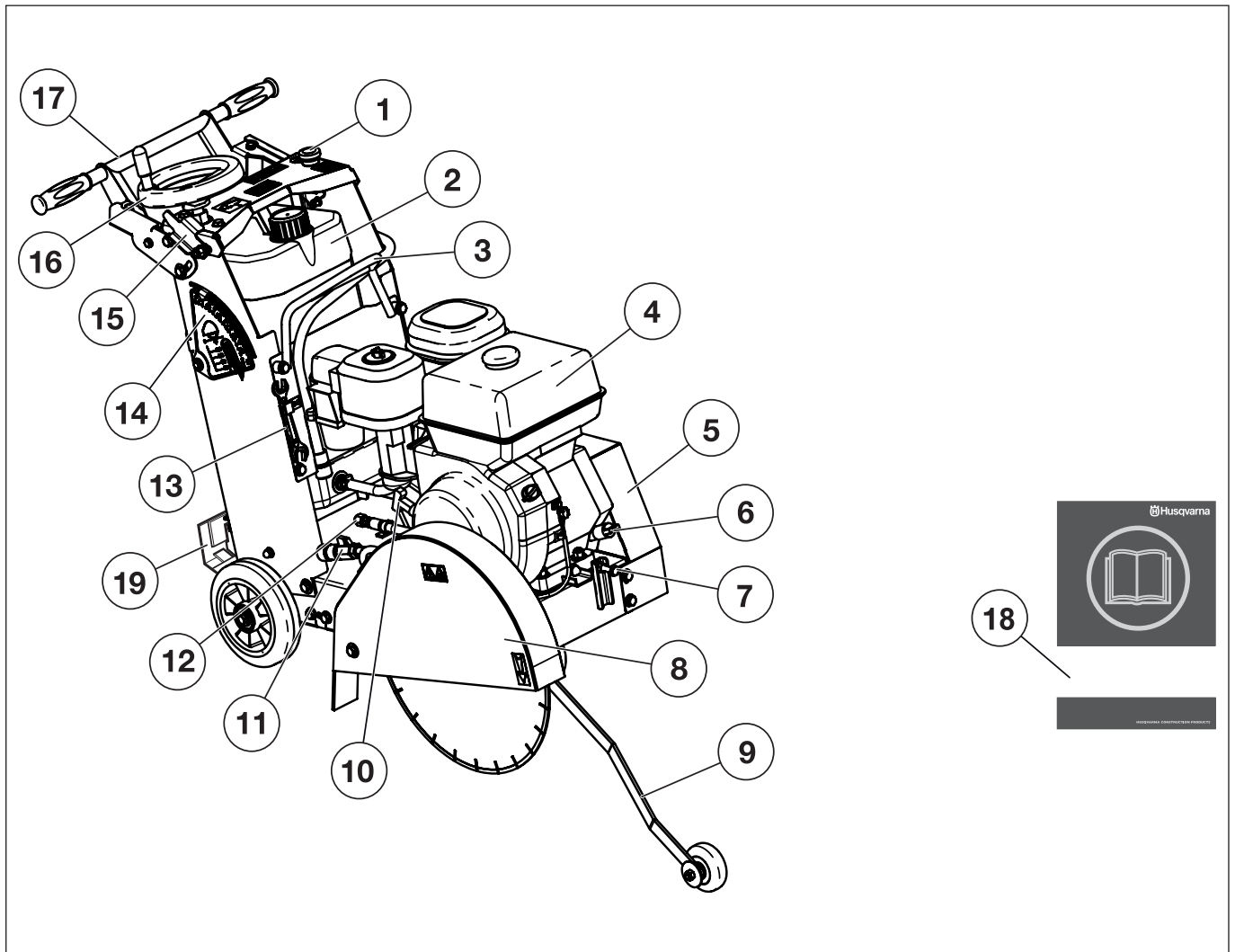
Todas as informações e dados contidos nestas instruções de uso estavam válidos na data em que as instruções de uso foram entregues para impressão.

A Husqvarna AB segue uma política de melhoria contínua de seus produtos e, portanto, se reserva o direito de modificar o projeto e a aparência de produtos sem prévio aviso.

Recursos

Os valores referentes a alto desempenho, confiabilidade, tecnologia inovadora, soluções técnicas avançadas e considerações ambientais são o que distingue os produtos da Husqvarna.

APRESENTAÇÃO



Quais são os nomes dos componentes da máquina?

- | | |
|--|--|
| 1 Parada da máquina | 11 Torneira de água |
| 2 Tanque de água | 12 Drenagem, óleo do motor |
| 3 Gancho de elevação | 13 Chave inglesa de manutenção |
| 4 Tanque de combustível | 14 Indicador de profundidade de corte |
| 5 Capa protetora – correia de transmissão | 15 Alavanca de travamento, profundidade de corte |
| 6 Abastecimento de óleo do motor | 16 Roda de alimentação, profundidade de corte |
| 7 Parafuso de tensão, correia de transmissão | 17 Punho |
| 8 Proteção da lâmina | 18 Instruções de uso |
| 9 Guidão frontal | 19 Freio de estacionamento |
| 10 Punho de arranque | |

EQUIPAMENTO DE SEGURANÇA DA MÁQUINA

Noções gerais



ATENÇÃO! Nunca utilize uma máquina cujos equipamentos de segurança apresentem falha! Se sua máquina apresentar falha em qualquer uma dessas verificações, entre em contato com seu agente de manutenção e efetue os reparos.

O motor deve ser desligado e a seleção de parada deve estar na posição STOP (Parar).

Esta seção descreve os equipamentos de segurança da máquina, suas finalidades e como as verificações e manutenções devem ser conduzidas de modo a garantir o funcionamento correto.

Parada da máquina

O botão de parada da máquina é usado para desligar rapidamente o motor e todas as funções elétricas, com exceção das luzes.

Testando o botão de parada da máquina

- Pressione o botão de parada da máquina e verifique se o motor desliga.
- Desacoplar o botão de parada da máquina (girar no sentido horário).

Proteção da lâmina



ATENÇÃO! Verifique sempre se a proteção da lâmina está ajustada corretamente antes de dar partida na máquina.

A proteção da lâmina foi desenvolvida para evitar que algumas partes da lâmina ou elementos cortantes sejam arremessados contra o usuário.

Verificação da proteção da lâmina

Verifique se a proteção da lâmina não está danificada ou rachada. Substitua a proteção da lâmina caso tenha sofrido algum impacto ou esteja rachada.

Sempre verifique se a proteção está ajustada corretamente antes de dar partida na máquina. Também verifique se a lâmina está ajustada corretamente e se não está, de alguma forma, danificada. Uma lâmina danificada pode causar traumas físicos.

Silencioso



ATENÇÃO! Nunca utilize uma máquina sem um silenciador, ou que apresente falha no silenciador. Um silenciador com falha pode aumentar significativamente o nível de ruído e o perigo de incêndios. Mantenha sempre ao seu alcance os equipamentos de combate a incêndios.

O silencioso fica muito quente durante e após o uso, o que também ocorre em marcha lenta. Cuidado com o risco de incêndio, principalmente se estiver trabalhando próximo a substâncias e/ou vapores inflamáveis.

O silencioso foi projetado para reduzir ao máximo os níveis de ruído, além de desviar os gases de escape para longe do usuário.

Inspeção do silenciador

Verifique regularmente se o silenciador está completo e preso de forma correta.

MONTAGEM E AJUSTES

Noções gerais

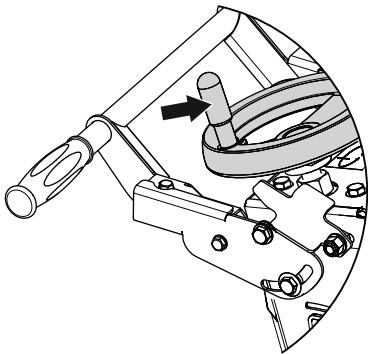


ATENÇÃO! Desligue o motor antes de conduzir qualquer verificação ou manutenção.

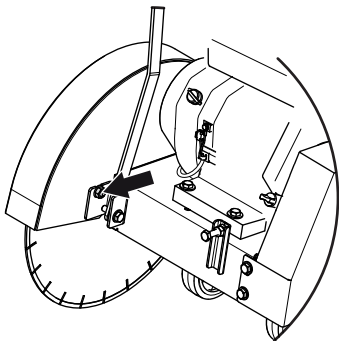
Verifique se a lâmina e a proteção da lâmina estão ajustadas corretamente antes de dar partida na máquina.

Ajuste da lâmina

- Suba a roda de alimentação da profundidade de corte.



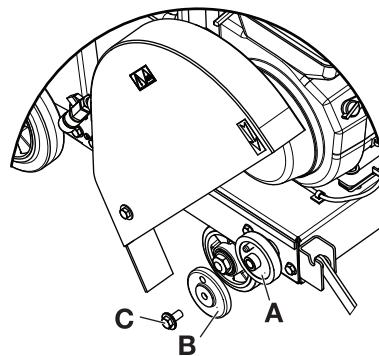
- Desligue a torneira de água. Desconecte a mangueira de água do protetor da lâmina.
- Solte a porca dianteira e incline a proteção do disco para a posição de serviço.



ADVERTÊNCIA! Verifique se a lâmina, o flange da lâmina e o eixo da lâmina estão intactos. Limpe as superfícies de contato da lâmina e do flange da lâmina. Certifique-se de que a lâmina e os flanges estejam limpos e livres de sujeira e detritos antes de montar a lâmina na máquina.

- Verifique o sentido da rotação da lâmina. A seta presente na lâmina indica o sentido da rotação.

- Ajuste a lâmina sobre o eixo da lâmina (A). Ajuste o flange da lâmina (B) sobre a lâmina. Passe o pino de travamento no flange (A) através do disco e insira no flange (B). Aperte o parafuso (C) de forma apropriada utilizando a chave inglesa fornecida.

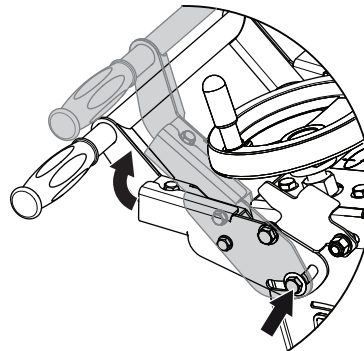


- Reencaixe a proteção do disco e a mangueira de água na ordem inversa a da desmontagem.

Altura da alavanca

A alavanca pode ser ajustada quanto à altura.

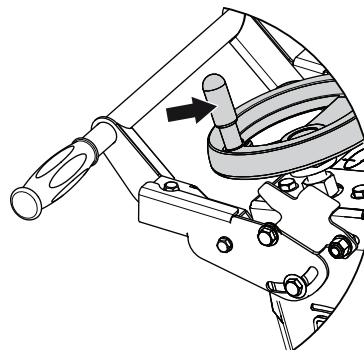
- Solte o parafuso. Ajuste a manivela para a altura mais confortável. Aperte o parafuso.



Indicador de profundidade de corte

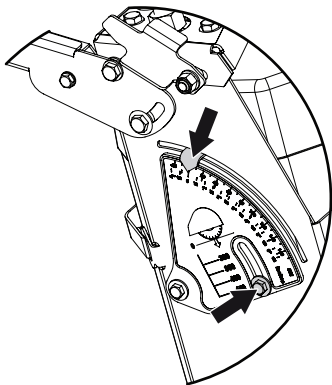
O indicador deve ser calibrado antes de ser utilizado.

- Baixe a lâmina até esta tocar muito levemente no solo.



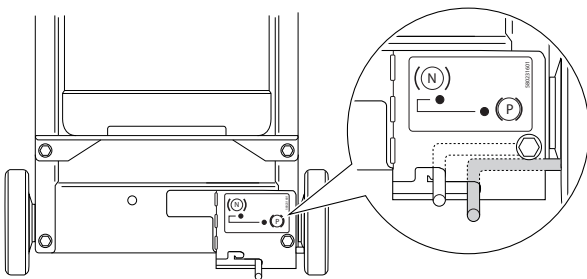
MONTAGEM E AJUSTES

- Solte o parafuso. Posicione a seta do indicador para '0'. Aperte o parafuso.



Freio de estacionamento

Aplique o freio de estacionamento.



Noções gerais

- As lâminas de diamante apresentam o centro em aço, com segmentos em diamante industrial.
- Utilize sempre uma lâmina de diamante afiada.
- As lâminas devem receber marcação da mesma velocidade ou velocidade superior que aquela informada na placa de classificação da máquina.
- Nunca utilize lâminas que não sejam as lâminas originais desenvolvidas para a máquina.

Refrigeração a água

Deve-se utilizar sempre a refrigeração a água. Este método resfria as lâminas e aumenta a vida útil, além de evitar o acúmulo de poeira.

Lâminas de diamante para diferentes materiais



ADVERTÊNCIA! Nunca utilize uma lâmina em materiais que não sejam aqueles para os quais ela foi desenvolvida.

A Husqvarna conta com uma vasta gama de lâminas de corte úmido para corte de pavimentos e paredes, incluindo lâminas para todas as aplicações, desde concreto fresco ou endurecido, com diferentes classes de dureza, além de uma grande quantidade de lâminas para asfalto. Consulte o seu revendedor Husqvarna para saber qual é a lâmina mais adequada para a sua aplicação.

Verificação da lâmina

- Verifique se a lâmina e a proteção da lâmina não estão danificadas ou rachadas. Substitua a lâmina ou a proteção da lâmina caso tenham sofrido algum impacto ou estejam rachadas. Nunca utilize uma lâmina danificada ou desgastada.
- Verifique se a quantidade de água correta atinge a lâmina.

Transporte e armazenagem

- Inspeccione as novas lâminas para a ocorrência de danos devido ao transporte ou armazenamento.
- A lâmina deve ser retirada da máquina após o uso e deve ser armazenada de forma adequada. A lâmina deve estar seca quando for armazenada.

MANUSEIO DO COMBUSTÍVEL

Noções gerais



ATENÇÃO! A execução do motor em um ambiente confinado ou mal ventilado por causar morte por asfixia ou envenenamento por monóxido de carbono.

O combustível e os gases do combustível são altamente inflamáveis e podem causar sérios danos quando inalados ou em contato com a pele. Por esse motivo, manuseie o combustível com cuidado e certifique-se de que haja ventilação adequada.

Os gases de escape do motor são quentes e podem conter faíscas capazes de iniciar um incêndio. Nunca ligue a máquina em ambientes fechados ou próximo a material combustível!

Não fume, nem coloque objetos quentes próximos a combustíveis.

Combustível

ATENÇÃO! A máquina vem equipada com um motor de quatro tempos. Certifique-se de que haja sempre combustível suficiente no motor.

Gasolina

- Utilize gasolina com ou sem chumbo de boa qualidade.
- O grau de octanagem mais baixo recomendado é 87 ((RON+MON)/2). Caso o motor seja utilizado com octanagem de grau inferior a 87, pode ocorrer o que se chama de bater de bielas. Isso faz com que a temperatura do motor atinja índices elevados, além de causar o aumento na carga dos rolamentos, o que resulta em graves danos ao motor.

Óleo do motor

- Verifique o nível de óleo do motor antes de ligar a máquina. Um nível de óleo muito baixo pode danificar gravemente o motor. Consulte instruções na seção 'Manutenção'.
- Nunca utilize óleo destinado a motores dois-tempos.

Abastecimento



ATENÇÃO! Sempre desligue o motor e deixe-o esfriar por alguns minutos antes de reabastecer.

Ao reabastecer, abra a tampa de combustível lentamente para que o excesso de pressão seja liberado suavemente.

Limpe a área ao redor da tampa de combustível.

Após o reabastecimento, aperte cuidadosamente a tampa de combustível.

Antes de ligar a máquina, movimente-a até pelo menos 10 pés (3 metros) de distância do ponto de abastecimento.

Nunca ligue a máquina:

- Caso óleo de motor ou combustível tenha sido derramado sobre a máquina. Limpe o material derramado e deixe o combustível restante evaporar.
- se você deixou cair combustível sobre si ou sobre suas roupas. Troque-as neste caso. Lave todas as partes do corpo que entraram em contato com o combustível. Use água e sabão.
- Se a máquina apresentar vazamento de combustível: verifique regularmente se há vazamento na tampa ou nas linhas de combustível.

Transporte e armazenagem

- Guarde e transporte a máquina e o combustível de forma a prevenir o risco de eventual vazamento ou vapores entrarem em contato com faíscas ou chamas de, por exemplo, máquinas ou motores elétricos, relés, interruptores ou caldeiras.
- Ao armazenar e transportar combustível, sempre utilize recipientes apropriados e aprovados para essa função

Armazenagem por longos períodos

- Se for guardar a máquina por longos períodos, esvazie o tanque de combustível. Entre em contato com o posto de gasolina mais próximo para saber onde descartar o excesso de combustível.

OPERAÇÃO

Equipamento de proteção

Noções gerais

- Não use a máquina a menos que tenha como buscar ajuda em caso de acidente.

Equipamento de proteção pessoal

Em quaisquer circunstâncias de uso da máquina deverá ser usado o equipamento de proteção pessoal aprovado. O equipamento de proteção pessoal não elimina o risco de lesão, mas reduz seus efeitos em caso de acidente. Consulte sua concessionária sobre a escolha do equipamento.



ATENÇÃO! Não utilize produtos como cortadores, esmeris, furadeiras ou outros que formem pó ou vapores que possam conter produtos químicos perigosos. Verifique a natureza do material que você deseja processar e utilize uma máscara respiratória adequada.

A exposição prolongada a ruídos pode resultar em danos permanentes à audição. Assim, use sempre a proteção auricular adequada. Preste atenção nos sinais de aviso ou gritos quando estiver usando equipamentos de proteção auditiva. Sempre remova a proteção auditiva assim que o motor for desligado.

Use sempre:

- Capacete de proteção aprovado.
- Proteção auricular aprovados.
- Óculos ou visor de proteção.
- Máscara respiratória.
- Vestuário justo, forte e confortável que permita total liberdade de movimentos.
- Botas com biqueira de aço e solado antidesslizante

Outros equipamentos de proteção

IMPORTANTE! Podem ocorrer faíscas e princípio de incêndio durante o trabalho com a máquina. Sempre mantenha um equipamento de combate a incêndios ao alcance.

- Extintor de incêndio.
- Um kit de primeiros socorros deverá estar sempre à mão.

Precauções gerais de segurança

Esta seção descreve as orientações básicas a serem seguidas ao utilizar a máquina. Contudo, estas informações nunca poderão substituir a habilidade e experiência profissional.

- Leia as instruções de uso com atenção e compreenda seu conteúdo antes de usar a máquina.

- Tenha em mente que o operador é responsável por acidentes ou riscos que afetem outras pessoas ou seus patrimônios.
- A máquina deverá ser mantida limpa. As sinalizações e os adesivos deverão estar totalmente legíveis.

Use sempre o bom senso.

Não dá para prever todas as situações com as quais você poderá se deparar. Por isso, use sempre o bom senso e tenha cuidado. Caso você se sinta inseguro em alguma situação, pare e procure ajuda especializada. Entre em contato com o revendedor, agente de serviço ou um usuário com experiência. Não tente executar nenhuma tarefa com a qual não esteja seguro!



ATENÇÃO! Se a máquina for usada de forma indevida ou incorreta, poderá ser perigosa, causando sérios ferimentos ou até mesmo a morte do usuário ou outras pessoas.

Nunca permita que crianças ou pessoas não treinadas tenham acesso à máquina.

Nunca permita que outras pessoas utilizem a máquina, sem que primeiro tenham entendido o conteúdo do manual de operação.

Nunca use a máquina se estiver cansado, sob o efeito de álcool ou drogas, medicamentos ou qualquer coisa que possa afetar sua visão, consciência, coordenação ou capacidade de julgamento.



ATENÇÃO! Modificações e/ou acessórios não autorizados podem provocar ferimentos graves ou até mesmo a morte do usuário ou de outras pessoas. Sob nenhuma circunstância tente modificar o projeto da máquina sem permissão do fabricante.

Não modifique este produto, nem o utilize caso aparente ter sido modificado por outras pessoas.

Nunca utilize a máquina se estiver com defeito. Siga as instruções de verificação, manutenção e serviço descritas neste manual. Algumas medidas de manutenção e serviço devem ser efetuadas por especialistas treinados e qualificados. Consulte as instruções na seção Manutenção.

Use sempre acessórios genuínos.

OPERAÇÃO



ATENÇÃO! Esta máquina produz um campo eletromagnético durante a operação. Sob certas circunstâncias esse campo poderá interferir com implantes médicos de natureza ativa ou passiva. Para reduzir os riscos de ferimentos sérios ou de lesões fatais, recomendamos que as pessoas que tenham implantes médicos consultem seu médico e o fabricante do implante antes de operar esta máquina.

Segurança no local de trabalho

- Observe o entorno para certificar-se de que não há nada que possa afetar seu controle da máquina.
- Tome cuidado para que nada, nem ninguém, entre em contato com o equipamento de corte ou seja atingido por pedaços do disco caso este se quebre.
- Não utilize a máquina sob condições climáticas ruins, tais como: neblina densa, chuva pesada, vento forte, frio intenso, etc. Trabalhar sob condições climáticas desfavoráveis é cansativo e pode levar a condições perigosas como, por exemplo, superfícies escorregadias.
- Nunca comece a trabalhar com a máquina sem que a área de limpeza esteja limpa e com um ponto de apoio. Tome cuidado com qualquer obstáculo que possa mover-se inesperadamente. Ao realizar o corte, tome cuidado para que nenhum material se solte e caia, ferindo o operador. Tenha muito cuidado ao trabalhar em solos inclinados.
- Assegure-se de que a área de trabalho está suficientemente iluminada para que o ambiente de trabalho fique seguro.
- Tome cuidado para que nenhum dos tubos ou cabos elétricos seja posicionado na área de trabalho ou no material a ser cortado.
- Verifique se os cabos elétricos na área de trabalho estão livres de tensão

Técnicas básicas de trabalho



ADVERTÊNCIA! O eixo da lâmina gira na partida do motor, ou quando é iniciado.

- Esta máquina é projetada e destinada a corte de concreto fresco e endurecido de diferentes classes de dureza, ou asfalto. Qualquer outro uso é considerado um uso não específico da máquina.
- Serre sempre de maneira a permitir acesso fácil ao botão de parada da máquina.
- Verifique se não existem ferramentas ou outros objetos caídos na máquina.
- Nunca deixe a máquina sozinha com o motor ligado.
- Verifique sempre se a proteção da lâmina está ajustada corretamente antes de dar partida na máquina. Nunca faça cortes sem utilizar a proteção da lâmina.
- Marque claramente todos os cortes a serem feitos antes de começar a serrar. Este planejamento deve ser feito para prevenir riscos às pessoas ou à máquina.

- Não vire, rode ou movimente a máquina em zigue-zague com a lâmina em funcionamento.
- Fixe firmemente ou ancore os blocos de concreto antes de cortar. O peso elevado do material cortado pode causar danos extensos se a movimentação deste não for feita sob condições controladas.
- Ao usar as máquinas, tenha sempre por perto outra pessoa à qual possa solicitar ajuda em caso de acidente.

Transporte e armazenagem

- A máquina está equipada com rodas para facilitar o transporte sem a necessidade de deixar o motor ligado. Antes de mover a máquina, certifique-se de que a máquina esteja na posição mais alta.
- Remova lâmina antes de transportar ou guardar a máquina.
- Tome cuidado ao levantar a máquina. As peças são pesadas, o que implica no risco de ferimentos de aperto ou outros tipos de dano pessoal.
- Use sempre a argola de elevação instalada na máquina quando levantá-la.
- Prenda bem o equipamento durante o transporte para evitar danos e acidentes.
- Para transporte e armazenamento do combustível, consulte a seção 'Manuseio do combustível'.
- Para transporte e armazenamento das lâminas, consulte a seção 'Lâminas'.
- Armazene o equipamento em uma área onde possa trancar, de modo a mantê-lo fora do alcance de crianças e pessoas não autorizadas.
- Se houver risco de congelamento, drene toda a água restante da máquina.

ARRANQUE E PARADA

Antes de ligar

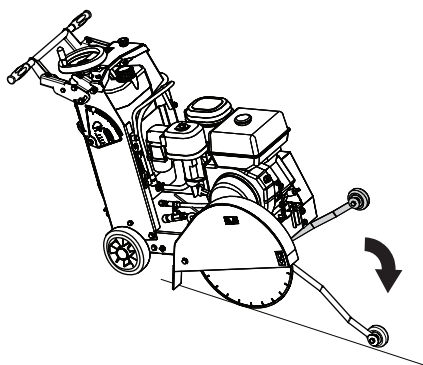


ATENÇÃO! Leia as instruções de uso com atenção e compreenda seu conteúdo antes de usar a máquina.

Use equipamento de proteção pessoal. Consulte as instruções na seção "Equipamento de proteção pessoal".

Não permita que pessoas não-autorizadas estejam na área de trabalho, pois estarão em risco de ferimentos pessoais graves.

- Faça manutenção diária. Consulte instruções na seção 'Manutenção'.
- Abasteça o tanque de água ou conecte a máquina a uma fonte de água.
- Marque os cortes que serão feitos.
- O ponteiro dianteiro deve ser verificado para alinhar com o disco.
- Deixe a borda reta ao longo do flange interno. Alinhe o ponteiro dianteiro à borda reta. Se necessário, ajuste o ponteiro dianteiro soltando as porcas que prendem a proteção da roda. Alinhe a proteção da roda com a borda reta e reaperte as porcas.
- Baixe a guia dianteira e alinhe a máquina com a marcação.



Partida

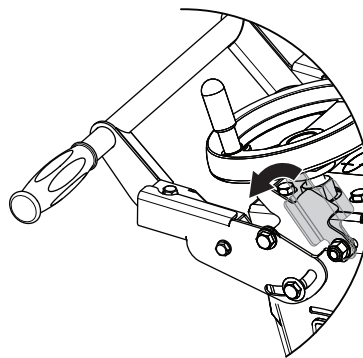
Ligar o motor

- Leia o manual de operação fornecido pelo fabricante do motor

Iniciar corte

- Abra a torneira de água.
- Verifique se a tubulação de água na proteção do disco está aberta e se cada lado do disco possui um fornecimento adequado de água.
- Teste a pressão e o fluxo do fornecimento de água antes de ligar a serra.
- Ligue o motor com aceleração total.

- Baixe o controle de bloqueio da roda para ajustar a profundidade do corte.



- Serre apenas na profundidade exigida pelas especificações do trabalho. Serrar mais profundamente irá aumentar o desgaste do disco e da máquina.
- Faça um corte de orientação de aproximadamente 20 a 30 mm (1 pol) de profundidade.
- Corte em incrementos de 50 mm (2 pol) de profundidade, até atingir a profundidade de corte especificada. Isso é denominado "corte escalonado".
- Levante o controle de bloqueio da roda para ajustar a profundidade do corte.
- Corte somente em linha reta. Marque claramente a linha de corte, para que o operador da serra possa seguir a linha sem dificuldade.
- Empurre a máquina lentamente para a frente. Tome cuidado para que a guia dianteira e a lâmina não se desviem da marcação.

ATENÇÃO! A serra NÃO deve ser torcida de lado a lado para forçar o disco de volta à linha.

Parada

Parar o corte

- Baixe o controle de bloqueio da roda para ajustar a profundidade do corte. Solte a lâmina do sulco.
- Levante o controle de bloqueio da roda para ajustar a profundidade do corte.
- Desligue a torneira de água.

Desligar o motor

- Leia o manual de operação fornecido pelo fabricante do motor
- Pressione o botão de parada da máquina e verifique se o motor desliga.

MANUTENÇÃO

Noções gerais



ATENÇÃO! O usuário somente poderá efetuar os trabalhos de manutenção e assistência que estão descritos nestas instruções. Reparos de maior porte deverão ser efetuados por uma oficina autorizada.

Desligue o motor antes de conduzir qualquer verificação ou manutenção.

Use equipamento de proteção pessoal. Consulte as instruções na seção "Equipamento de proteção pessoal".

A vida útil da máquina pode ser reduzida e o risco de acidentes aumentar, caso a manutenção da máquina não seja corretamente executada e os serviços e/ou reparos não sejam efetuados de maneira profissional. Se você precisar de mais informações, entre em contato com a concessionária de serviços mais próxima.

- Permita ao seu revendedor Husqvarna verificar a máquina com regularidade e faça os ajustes e reparos necessários.

Cronograma de manutenção

O esquema de manutenção permite observar as peças da máquina que necessitam de manutenção, bem como os intervalos em que os serviços de manutenção devem ocorrer. Os intervalos são calculados a partir do uso diário da máquina e podem diferir de acordo com a frequência de uso.

Controle diário
Limpeza
Limpeza externa
Filtro de ar
Filtro de sedimentos
Inspeção funcional
Inspeção geral
Óleo do motor
Correia de transmissão
Parada da máquina*
Proteções da lâmina*
Silencioso*
Lâmina**
Lubrificação
Eixo da lâmina, rpm
Engraxe diariamente o pino do sistema de ajuste de profundidade

*Consulte as instruções na seção 'Equipamentos de segurança da máquina'.

**Consulte as instruções nas seções 'Lâminas' e 'Montagem e configurações'.

Limpeza

Limpeza externa

- Verifique se todos os acoplamentos, conexões e cabos estão intactos e livres de poeira
- A lâmina é resfriada por água pulverizada através de pequenos furos na proteção da lâmina. Esses furos devem estar desobstruídos para permitir a refrigeração adequada da lâmina.

Filtro de ar

Para limpeza e troca do filtro de ar, leia o manual de operação fornecido pelo fabricante do motor.

- O filtro de ar pode necessitar de limpeza 2 a 3 vezes por dia, em caso de ambientes com elevada concentração de poeira.
- Um filtro de ar danificado deve sempre ser substituído.



NOTA! O filtro não deve ser limpo com ar comprimido, pois isso danificará o filtro. Os filtros podem ser limpos com um aspirador de pó, mas evite bater ou arrastar itens através da superfície, pois isso irá danificar o filtro.

Os filtros de papel devem ser descartados corretamente e substituídos.

Um filtro de poliéster pode ser limpo com auxílio de um aspirador ou lavagem de baixa pressão.

Não use lavagem de alta pressão, pois isso danificará o filtro.

Um filtro de ar danificado deve sempre ser substituído.

Depois de lavado, o filtro deve estar totalmente seco antes de ser colocado de volta no equipamento.

Vela de ignição

- Se a máquina estiver com pouca força, dificuldade de partida ou funcionamento irregular em marcha lenta: verifique sempre a vela de ignição antes de qualquer outro procedimento.
- Tenha certeza de que a tampa da vela de ignição e o cabo de ignição estejam livres de danos, evitando o risco de choque elétrico.
- Se a vela de ignição estiver suja, limpe-a e, ao mesmo tempo, verifique a folga do eletrodo. Substitua se necessário. Consulte o manual de instruções do motor.

NOTA! Use sempre o tipo de vela de ignição recomendado! O uso de uma vela de ignição incorreta pode danificar o pistão/cilindro.

Esses fatores criam depósitos nos eletrodos da vela de ignição, podendo resultar em problemas de funcionamento e dificuldades de partida.

- Mistura de combustível incorreta (combustível demais ou tipo de óleo incorreto).
- Filtro de ar sujo.

Inspeção funcional

Inspeção geral

- Verifique se as porcas e os parafusos estão apertados.

Óleo do motor

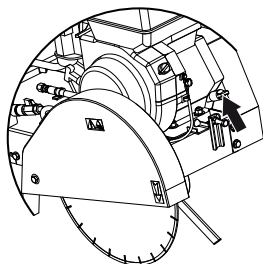


CUIDADO! Lembre-se de que o óleo acarreta riscos à saúde e ao meio ambiente. Obedeça as normas locais de descarte e reciclagem.

Para trocar o óleo do motor, leia o manual de operação fornecido pelo fabricante do motor.

Verificação do nível de óleo do motor

- O motor deve estar em posição horizontal durante a verificação do nível de óleo. Desmonte a lâmina ou tome outras providências que permitam inclinar a máquina de modo a colocá-la na posição horizontal.
- Verifique o nível de óleo e complete se necessário. O nível de óleo não deve nunca estar abaixo da marca inferior da vareta. Consulte o manual do motor.



- Para melhor resultado e funcionamento, utilize óleo de motor HUSQVARNA.
- Caso não haja óleo de motor HUSQVARNA disponível, um óleo de motor com graduação superior poderá ser utilizado. Use óleo tipo SAE 10W-30, classe API, MS, SD, SE ou superior.
- Nunca utilize óleo destinado a motores dois-tempos.

Correia de transmissão

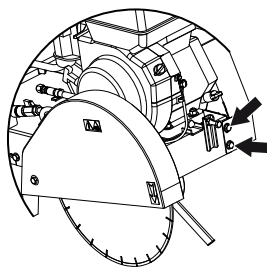
ATENÇÃO! Não aplique tensão excessiva na correia de transmissão.

- Verifique se a correia de transmissão está livre de danos e sem defeitos visíveis.

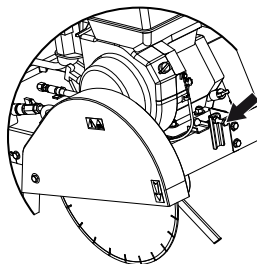
Tensionando a correia de acionamento

A tensão de uma nova correia de transmissão deve ser reajustada após utilizar um ou dois tanques de combustível.

- Solte os parafusos da proteção da correia. Remova a tampa.



- Solte os parafusos que seguram o motor.
- Gire o parafuso tensor um quarto de volta. O motor será empurrado para trás e a correia será esticada.



- Certifique-se de que as polias da correia estejam paralelas e alinhadas uma com a outra. Aperte os parafusos que sustentam o motor e, em seguida, desaparafuse o parafuso tensor 2 voltas para impedir que entre em contato com o bloco do motor. Recoloque a proteção da correia e aperte os parafusos de fixação da proteção da correia.

Sistema de combustível

Noções gerais

- Verifique se a tampa de combustível e sua vedação não estão danificados.
- Verifique a mangueira de combustível. Substitua se necessário.

Engraxamento

Eixo da lâmina

- Lubrifique o eixo da lâmina diariamente. Ligue a bomba de graxa lubrificante e bombeie 3 a 5 vezes ou até visualizar graxa nas extremidades. Use apenas graxa DIN 51825 com classificação K2K-30 ou K3K-30.

Niple de lubrificação do sistema de ajuste de profundidade

Lubrifique diariamente os niples de graxa para regular a profundidade de corte.

Porca de regulagem da profundidade de corte

Lubrifique o parafuso de regulagem alguns centímetros acima e abaixo da porca e ajuste a serra para cima e para baixo algumas vezes para espalhar a graxa.

Produto gasto

Esta máquina foi projetada para durar muitos anos, minimizando assim o seu impacto ambiental. Faça os serviços e manutenções de acordo com as instruções deste manual. Desta forma, o motor durará mais tempo, reduzindo as emissões perigosas.

Quando desgastada, a máquina deverá ser descartada para reciclagem ou como sucata. Obedeça as normas locais de descarte e reciclagem.

Principais materiais

Motor

Alumínio (AL), Aço (AC), Cobre (CU), Poliamida (PA).

Máquina

Aço (AC), Fonte (FT), Alumínio (AL).

ESPECIFICAÇÕES TÉCNICAS

Especificações técnicas

FS 400 LV

	450/18	500/20
Tamanho da lâmina - máx, mm/polegadas	450/18	500/20
Profundidade de corte, mm/polegadas	162/6.5	187/7.5
Rotação do fuso (a uma rotação do motor de 3700 rpm), rpm	3000	
Tamanho da armação, mm/pol.	25.4/1	
Diâmetro do flange da lâmina, mm/pol.	89/3.5	
Óleo do motor	SAE 10W-30, classe API, MS, SD, SE ou superior.	
Peso		
Máquina com tanques vazios, kg/lb	104/229	107/236
Peso operacional, kg/lb	135/298	145/320
Dimensões (CxLxA), mm/polegadas	1090x615x990/ 42.9x24.2x39.0	1120x615x990/ 44.1x24.2x39.0

Emissões de ruído (ver nota 1)	
Nível de potência sonora, medido em dB(A)	109
Nível de potência sonora, L_{WA} garantido dB(A)	112
Níveis acústicos (ver nota 2)	
Nível de pressão sonora sobre os ouvidos do operador, dB(A)	90
Níveis de vibração, a_{hv} (ver obs. 3)	
Punho direito, m/s^2	2.5
Punho esquerdo, m/s^2	3.2

Nota 1: Emissões sonoras para as imediações, medidas sob forma de potência sonora (L_{WA}) conforme a diretiva da CE 2000/14/CE.

Nota 2: Nível de pressão sonora conforme norma EN 13862. Os dados informados para nível de pressão de ruído têm uma dispersão estatística típica (desvio padrão) de 4,0 dB(A).

Nota 3: Nível de vibração conforme norma EN 12348. Os dados informados para nível de vibração têm uma dispersão estatística típica (desvio padrão) de 1,5 m/s^2 .

ESPECIFICAÇÕES TÉCNICAS

Certificado CE de conformidade

(Válido unicamente na Europa)

Husqvarna AB, SE-561 82 Huskvarna, Suécia, tel +46-36-146500, declara, sob total responsabilidade, que a serra lisa **Husqvarna FS 400 LV** referente aos números de série de 2016 em diante (o ano está informado nitidamente por escrito na etiqueta de tipo, seguido do número de série), está em conformidade com os requisitos das **NORMAS DO CONSELHO**:

- de 17 de Maio de 2006 "referente a máquinas" **2006/42/CE**
- de 26 de Fevereiro de 2014 "referente a compatibilidade electromagnética" **2014/30/CEE**.
- de 8 de Maio de 2000 "referente à emissões sonoras para as imediações" **2000/14/CE**.

Foram respeitadas seguintes as normas:

EN ISO 12100:2010, CISPR12:2007+Amd1:2009, EN 55012:2007+A1:2009, EN ISO 14982:2009, EN 13862/A1:2009

SMP Svensk Maskinprovning AB, Box 7035, SE-750 07 Uppsala, Suécia, efetuou um exame voluntário em conformidade com as diretivas de maquinário (2006/42/EC) em nome da Husqvarna AB. O certificado tem o número: SEC/17/2477

Gotemburgo, 30 de março de 2016



Joakim Ed

Diretor Global de P&D

Construction Equipment Husqvarna AB

(Representante autorizado para a Husqvarna AB e responsável pela documentação técnica.)



www.husqvarnacp.com

**GB - Original instructions, FR - Instructions d'origine, DE - Originalanweisungen,
IT - Istruzioni originali, ES - Instrucciones originales, NL - Originele instructies,
SE - Bruksanvisning i original, PT - Instruções originais, BR - Instruções originais**

1156786-94



2019-03-26 rev4