



B15T-7 / B18T-7 / B18TL-7 / B20T-7 / B20TL-7
B16X-7 / B18X-7 / B20X-7

7-SERIES FORKLIFTS

Electric 1.5 to 2.0 ton capacity 3 & 4 Wheel



Technical Data according to VDI 2198

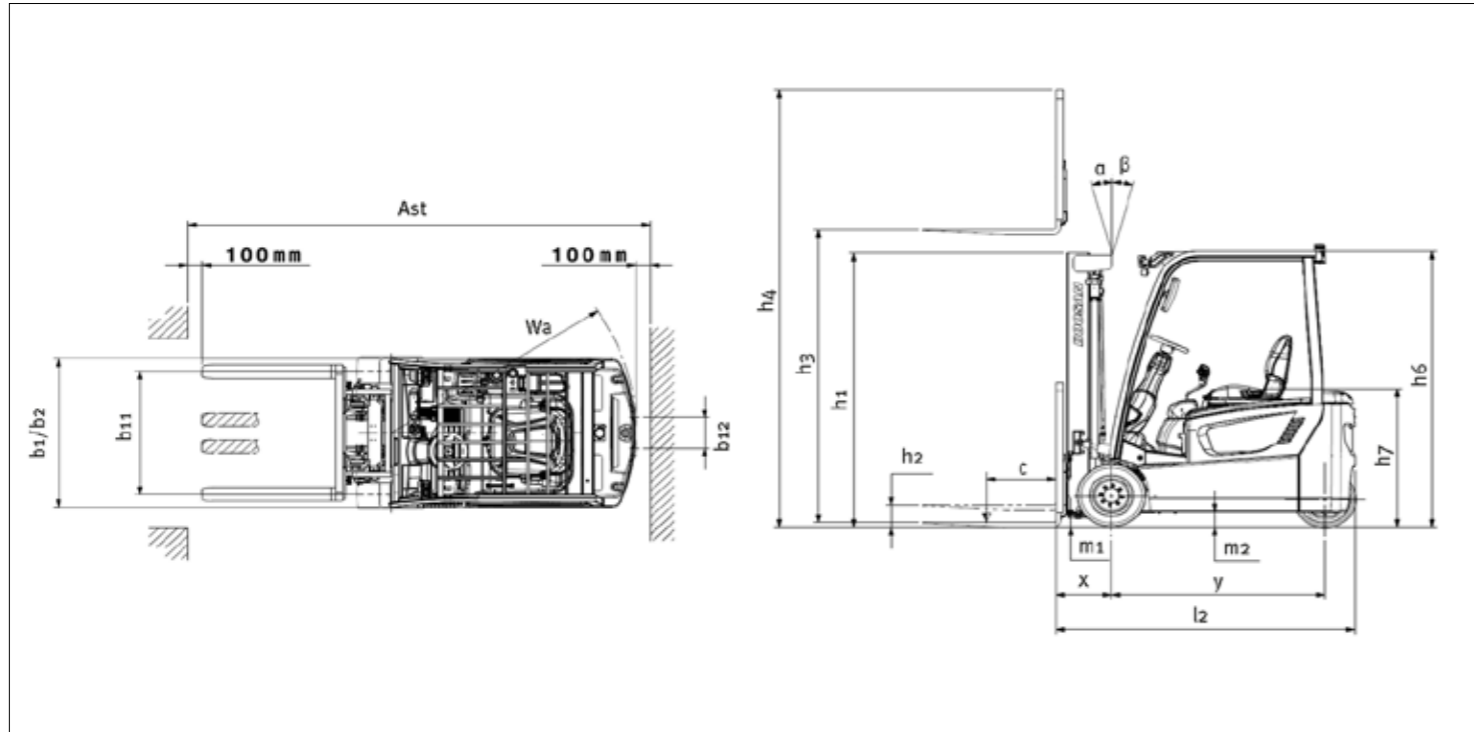
| | | | | | | |
|------------------|--|---|--|-------|-----------------|-----------------|
| CHARACTERISTICS | 1.1 | Manufacturer | | | Doosan | Doosan |
| | 1.2 | Model | | | B15T-7 | B18T-7 |
| | 1.3 | Drive | | | AC Electric | AC Electric |
| | 1.4 | Operator Type | | | Driver Seated | Driver Seated |
| | 1.5 | Load Capacity/rated load | Q | kg | 1,500 | 1,750 |
| | 1.6 | Load Center | c | mm | 500 | 500 |
| | 1.8 | Load Distance, center of drive axle to fork | x | mm | 376 | 376 |
| | 1.9 | Wheelbase | y | mm | 1,323 | 1,423 |
| | WEIGHT | 2.1 | Service Weight (with min. weight of battery) | | kg | 3,028 |
| 2.2 | | Axle loading, loaded, front/rear | | kg | 3,988/540 | 4,358/534 |
| 2.3 | | Axle loading, unloaded, front/rear | | kg | 1,495/1,533 | 1,530/1,612 |
| TYRES | 3.1 | Tyres: pneumatic (P). solid (E), cushion (C) | | | E/C | E/C |
| | 3.2 | Tyre size. Front | | | 18x7-8 (1) | 18x7-8 (1) |
| | 3.3 | Tyre size. Rear | | | 15x4.5-8 (2) | 15x4.5-8 (2) |
| | 3.5 | Wheels. number Front/Rear (x = driven wheels) | | | 2x/2 | 2x/2 |
| | 3.6 | Tread. Front | b11 | mm | 902 | 902 |
| | 3.7 | Tread. Rear | b12 | mm | 167 | 167 |
| | DIMENSIONS | 4.1 | Tilt of Mast/Fork carriage Forward/Backward | α/β | ° | 5/7 |
| 4.2 | | Height. Mast lowered | h1 | mm | 2,150 | 2,150 |
| 4.3 | | Free Lift | h2 | mm | 130 | 130 |
| 4.4 | | Lift Height | h3 | mm | 3,300 | 3,300 |
| 4.5 | | Height. Mast Extended | h4 | mm | 4,345 | 4,345 |
| 4.7 | | Height of Overhead Guard (Cabin) | h6 | mm | 2,010 | 2,010 |
| 4.8 | | Height of Seat | h7 | mm | 919 | 919 |
| 4.19 | | Overall Length | l1 | mm | 2,791 | 2,891 |
| 4.20 | | Length to Forkface | l2 | mm | 1,891 | 1,991 |
| 4.21 | | Overall Width | b1/b2 | mm | 1,090 | 1,090 |
| 4.22 | | Fork Dimensions | s/e/l | mm | 35 x 100 x 900 | 35 x 100 x 900 |
| 4.23 | | Fork carriage ISO 2328. class | | | II | II |
| 4.24 | | Fork carriage width | b3 | mm | 973 | 973 |
| 4.31 | | Ground Clearance. loaded. below mast | m1 | mm | 86 | 86 |
| 4.32 | | Ground Clearance. center of wheelbase | m2 | mm | 100 | 100 |
| 4.33 | | Aisle width for pallets 1.000 x 1.200 crossways | Ast | mm | 3,216 | 3,316 |
| 4.34 | Aisle width for pallets 800 x 1.200 lengthways | Ast | mm | 3,341 | 3,441 | |
| 4.35 | External Turning Radius | Wa | mm | 1,515 | 1,615 | |
| 4.36 | Internal Turning Radius | b13 | mm | - | - | |
| PERFORMANCE DATA | 5.1 | Travel Speed. loaded/unloaded | | km/h | 17/17 | 17/17 |
| | 5.2 | Lift Speed. loaded/unloaded | | m/s | 0.4/0.6 | 0.4/0.6 |
| | 5.3 | Lowering Speed. loaded/unloaded | | m/s | 0.50/0.45 | 0.50/0.45 |
| | 5.6 | Max. Drawbar pull. loaded | | N | 12,749 | 12,749 |
| | 5.8 | Max. Gradeability. loaded | | % | 26/ | 25/ |
| | 5.10 | Service Brake | | | hydraulic | hydraulic |
| ELECTRIC ENGINE | 6.1 | Drive motor S2 60 min | | kW | 6.0 x 2 | 6.0 x 2 |
| | 6.2 | Lift motor rating at S3 15% | | kW | 14 | 14 |
| | 6.3 | Battery Compartment | | mm | 528 x 992 x 698 | 638 x 992 x 698 |
| | 6.4 | Battery voltage, nominal capacity K5 | | V/Ah | 48/440 | 48/510 |
| | 6.5 | Battery weight | | kg | 700 | 800 |
| ADDITION DATA | 8.1 | Type of drive control | | | MOSFET Inverter | MOSFET Inverter |
| | 8.2 | Operating pressure for attachments | | bar | 140 | 140 |

| | | | | | |
|-----------------|-----------------|-----------------|-----------------|-----------------|-----------------|
| Doosan | Doosan | Doosan | Doosan | Doosan | Doosan |
| B18TL-7 | B20T-7 | B20TL-7 | B16X-7 | B18X-7 | B20X-7 |
| AC Electric | AC Electric | AC Electric | AC Electric | AC Electric | AC Electric |
| Driver Seated | Driver Seated | Driver Seated | Driver Seated | Driver Seated | Driver Seated |
| 1,750 | 2,000 | 2,000 | 1,600 | 1,800 | 2,000 |
| 500 | 500 | 500 | 500 | 500 | 500 |
| 376 | 381 | 381 | 376 | 376 | 381 |
| 1,554 | 1,446 | 1,554 | 1,495 | 1,495 | 1,495 |
| 3,333 | 3,472 | 3,333 | 3,189 | 3,281 | 3,461 |
| 4,372/712 | 4,841/631 | 4,769/564 | 4,235/553 | 4,551/530 | 4,871/590 |
| 1,635/1,698 | 1,623/1,849 | 1,635/1,698 | 1,689/1,491 | 1,696/1,585 | 1,692/1,769 |
| E/C | E/C | E/C | P/E | E | E |
| 18x7-8 (1) | 200x50-10 (1) | 200x50-10 (1) | 18x7-8 (3) | 200x50-10 | 200x50-10 |
| 15x4.5-8 (2) | 16x6-8 (2) | 16x6-8 (2) | 16x6-8 (2) | 16x6-8 | 16x6-8 |
| 2x/2 | 2x/2 | 2x/2 | 2x/2 | 2x/2 | 2x/2 |
| 902 | 912 | 912 | 902 | 912 | 912 |
| 167 | 201 | 201 | 890 | 890 | 890 |
| 5/7 | 5/7 | 5/7 | 5/7 | 5/7 | 5/7 |
| 2,150 | 2,150 | 2,150 | 2,150 | 2,150 | 2,150 |
| 130 | 135 | 135 | 130 | 130 | 135 |
| 3,300 | 3,300 | 3,300 | 3,300 | 3,300 | 3,300 |
| 4,345 | 4,350 | 4,350 | 4,345 | 4,345 | 4,350 |
| 2,010 | 2,010 | 2,010 | 2,010 | 2,010 | 2,010 |
| 919 | 919 | 919 | 919 | 919 | 919 |
| 3,032 | 2,929 | 3,037 | 3,020 | 3,020 | 3,025 |
| 2,132 | 2,029 | 2,137 | 2,120 | 2,120 | 2,125 |
| 1,090 | 1,119 | 1,119 | 1,090 | 1,119 | 1,119 |
| 35 x 100 x 900 | 40 x 100 x 900 | 40 x 100 x 900 | 35 x 100 x 900 | 35 x 100 x 900 | 40 x 100 x 900 |
| II | II | II | II | II | II |
| 973 | 973 | 973 | 973 | 973 | 973 |
| 86 | 86 | 86 | 86 | 86 | 86 |
| 100 | 100 | 100 | 100 | 100 | 100 |
| 3,457 | 3,354 | 3,462 | 3,466 | 3,466 | 3,471 |
| 3,582 | 3,479 | 3,587 | 3,665 | 3,665 | 3,670 |
| 1,756 | 1,648 | 1,756 | 1,886 | 1,886 | 1,886 |
| - | - | - | 494 | 496 | 496 |
| 17/17 | 17/17 | 17/17 | 17/17 | 17/17 | 17/17 |
| 0.4/0.6 | 0.4/0.6 | 0.4/0.6 | 0.4/0.6 | 0.4/0.6 | 0.4/0.6 |
| 0.50/0.45 | 0.50/0.45 | 0.50/0.45 | 0.50/0.45 | 0.50/0.45 | 0.50/0.45 |
| 12,749 | 12,749 | 12,749 | 12,749 | 12,749 | 12,749 |
| 25/ | 24/ | 24/ | 26/ | 25/ | 24/ |
| hydraulic | hydraulic | hydraulic | hydraulic | hydraulic | hydraulic |
| 6.0 x 2 | 6.0 x 2 | 6.0 x 2 | 6.0 x 2 | 6.0 x 2 | 6.0 x 2 |
| 14 | 14 | 14 | 14 | 14 | 14 |
| 746 x 992 x 698 | 638x 992 x 698 | 746 x 992 x 698 | 638 x 992 x 698 | 638 x 992 x 698 | 638 x 992 x 698 |
| 48/600 | 48/585 | 48/600 | 48/585 | 48/585 | 48/585 |
| 1,000 | 1,000 | 1,000 | 1,050 | 1,050 | 1,050 |
| MOSFET Inverter | MOSFET Inverter | MOSFET Inverter | MOSFET Inverter | MOSFET Inverter | MOSFET Inverter |
| 140 | 140 | 140 | 140 | 140 | 140 |

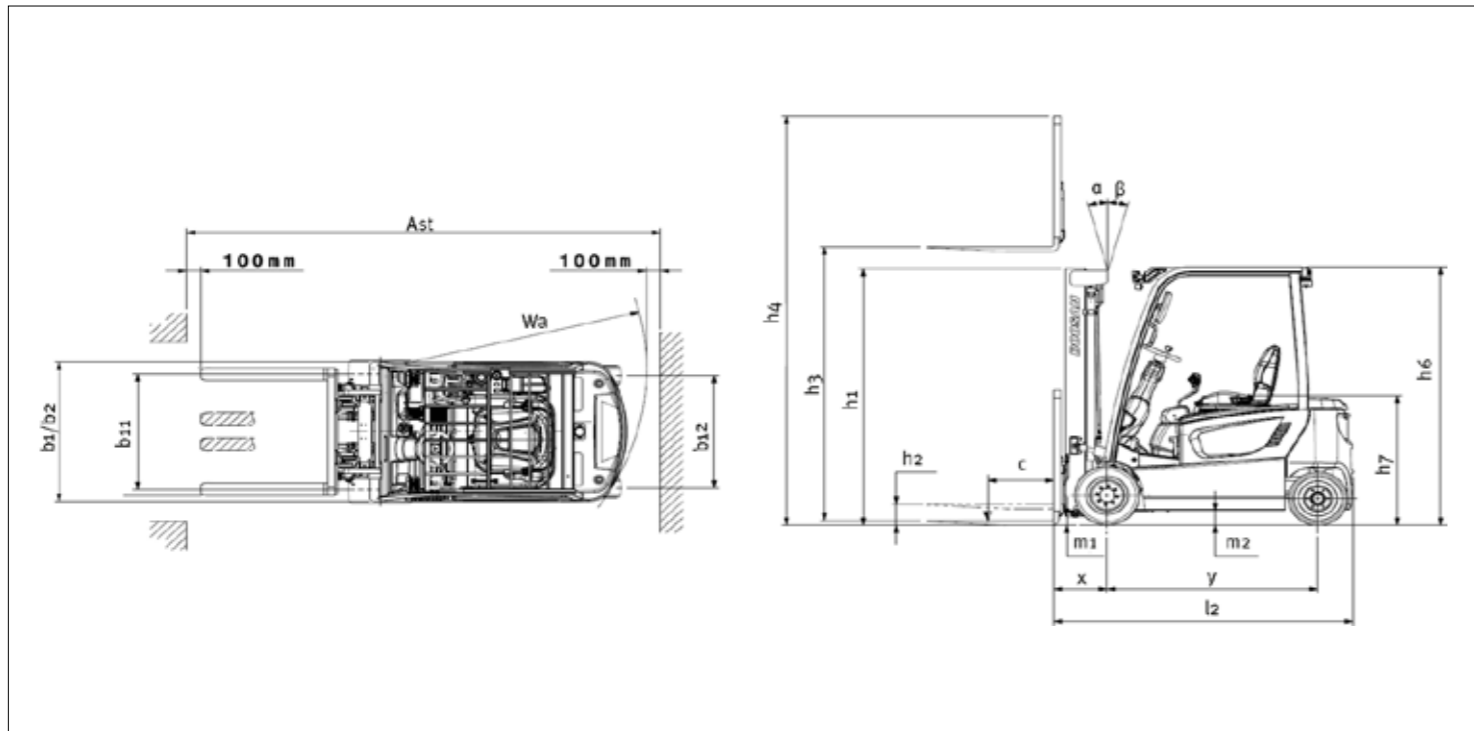
Note: Specification values quoted in this specification sheet have been rounded. Performance may vary depending on operating conditions. Products and specifications are subject to improvement and change without prior notice.

(1) optional: cushion Tires 18x7 - 12.12
 (2) optional: cushion Tires 15 x 6 - 11.25
 (3) optional: pneumatic Tires

DIMENSIONAL DRAWING - 3-wheel



DIMENSIONAL DRAWING - 4-wheel



MAST SPECIFICATIONS and RATED CAPACITIES

B15T-7

| Mast type | Maximum Fork Height | Fully Lowered Height | Fully Extended Height | | Free Lift | | Rated Load Capacities | | | | | |
|-----------|---------------------|----------------------|-----------------------|-----------------------|--------------------|-----------------------|-----------------------|-------|-----------|---------------------|-------|-----------|
| | | | with Load Backrest | without Load Backrest | with Load Backrest | without Load Backrest | Single Solid Tire | | | Single Cushion Tire | | |
| | | | | | | | Tilt Angle | | Load Cap. | Tilt Angle | | Load Cap. |
| | | | | | | | FWD | BWD | | LC 500mm | FWD | |
| mm | mm | mm | mm | mm | mm | deg | deg | kg | deg | deg | kg | |
| STD | 3,000 | 2,000 | 4,045 | 3,600 | 130 | 130 | 5 | 7 | 1,500 | 5 | 7 | 1,500 |
| | 3,300 | 2,150 | 4,345 | 3,900 | 130 | 130 | 5 | 7 | 1,500 | 5 | 7 | 1,500 |
| | 3,500 | 2,250 | 4,545 | 4,100 | 130 | 130 | 5 | 7 | 1,500 | 5 | 7 | 1,500 |
| | 3,700 | 2,350 | 4,745 | 4,300 | 130 | 130 | 5 | 7 | 1,500 | 5 | 7 | 1,500 |
| | 4,000 | 2,550 | 5,045 | 4,600 | 130 | 130 | 5 | 7 | 1,500 | 5 | 7 | 1,500 |
| 4,500 | 2,800 | 5,545 | 5,100 | 130 | 130 | 5 | 7 | 1,425 | 5 | 7 | 1,450 | |
| FF | 2,700 | 1,850 | 3,745 | 3,325 | 845 | 1,265 | 5 | 5 | 1,500 | 5 | 5 | 1,500 |
| | 3,000 | 2,000 | 4,045 | 3,625 | 995 | 1,415 | 5 | 5 | 1,500 | 5 | 5 | 1,500 |
| | 3,300 | 2,150 | 4,345 | 3,925 | 1,145 | 1,565 | 5 | 5 | 1,500 | 5 | 5 | 1,500 |
| FFT | 4,000 | 1,880 | 5,050 | 4,630 | 875 | 1,295 | 5 | 5 | 1,450 | 5 | 5 | 1,475 |
| | 4,500 | 2,045 | 5,545 | 5,125 | 1,040 | 1,460 | 5 | 5 | 1,400 | 5 | 5 | 1,425 |
| | 4,750 | 2,130 | 5,795 | 5,375 | 1,125 | 1,545 | 5 | 5 | 1,350 | 5 | 5 | 1,375 |
| | 5,000 | 2,245 | 6,045 | 5,625 | 1,240 | 1,660 | 5 | 5 | 1,300 | 5 | 5 | 1,350 |
| | 5,500 | 2,480 | 6,550 | 6,130 | 1,475 | 1,895 | 5 | 5 | 975 | 5 | 5 | 1,275 |
| | 6,000 | 2,645 | 7,045 | 6,625 | 1,640 | 2,060 | 5 | 5 | 650 | 5 | 5 | 1,225 |

B18T-7, B18TL-7

| Mast type | Maximum Fork Height | Fully Lowered Height | Fully Extended Height | | Free Lift | | Rated Load Capacities | | | | | |
|-----------|---------------------|----------------------|-----------------------|-----------------------|--------------------|-----------------------|-----------------------|-------|-----------|---------------------|-------|-----------|
| | | | with Load Backrest | without Load Backrest | with Load Backrest | without Load Backrest | Single Solid Tire | | | Single Cushion Tire | | |
| | | | | | | | Tilt Angle | | Load Cap. | Tilt Angle | | Load Cap. |
| | | | | | | | FWD | BWD | | LC 500mm | FWD | |
| mm | mm | mm | mm | mm | mm | deg | deg | kg | deg | deg | kg | |
| STD | 3,000 | 2,000 | 4,045 | 3,600 | 130 | 130 | 5 | 7 | 1,750 | 5 | 7 | 1,750 |
| | 3,300 | 2,150 | 4,345 | 3,900 | 130 | 130 | 5 | 7 | 1,750 | 5 | 7 | 1,750 |
| | 3,500 | 2,250 | 4,545 | 4,100 | 130 | 130 | 5 | 7 | 1,750 | 5 | 7 | 1,750 |
| | 3,700 | 2,350 | 4,745 | 4,300 | 130 | 130 | 5 | 7 | 1,750 | 5 | 7 | 1,750 |
| | 4,000 | 2,550 | 5,045 | 4,600 | 130 | 130 | 5 | 7 | 1,750 | 5 | 7 | 1,750 |
| 4,500 | 2,800 | 5,545 | 5,100 | 130 | 130 | 5 | 7 | 1,650 | 5 | 7 | 1,650 | |
| FF | 2,700 | 1,850 | 3,745 | 3,325 | 845 | 1,265 | 5 | 5 | 1,750 | 5 | 5 | 1,750 |
| | 3,000 | 2,000 | 4,045 | 3,625 | 995 | 1,415 | 5 | 5 | 1,750 | 5 | 5 | 1,750 |
| | 3,300 | 2,150 | 4,345 | 3,925 | 1,145 | 1,565 | 5 | 5 | 1,750 | 5 | 5 | 1,750 |
| FFT | 4,000 | 1,880 | 5,050 | 4,630 | 875 | 1,295 | 5 | 5 | 1,675 | 5 | 5 | 1,700 |
| | 4,500 | 2,045 | 5,545 | 5,125 | 1,040 | 1,460 | 5 | 5 | 1,600 | 5 | 5 | 1,650 |
| | 4,750 | 2,130 | 5,795 | 5,375 | 1,125 | 1,545 | 5 | 5 | 1,525 | 5 | 5 | 1,625 |
| | 5,000 | 2,245 | 6,045 | 5,625 | 1,240 | 1,660 | 5 | 5 | 1,400 | 5 | 5 | 1,575 |
| | 5,500 | 2,480 | 6,550 | 6,130 | 1,475 | 1,895 | 5 | 5 | 1,025 | 5 | 5 | 1,500 |
| | 6,000 | 2,645 | 7,045 | 6,625 | 1,640 | 2,060 | 5 | 5 | 700 | 5 | 5 | 1,400 |

B20T-7, B20TL-7

| Mast type | Maximum Fork Height | Fully Lowered Height | Fully Extended Height | | Free Lift | | Rated Load Capacities | | | | | |
|-----------|---------------------|----------------------|-----------------------|-----------------------|--------------------|-----------------------|-----------------------|-------|-----------|---------------------|-------|-----------|
| | | | with Load Backrest | without Load Backrest | with Load Backrest | without Load Backrest | Single Solid Tire | | | Single Cushion Tire | | |
| | | | | | | | Tilt Angle | | Load Cap. | Tilt Angle | | Load Cap. |
| | | | | | | | FWD | BWD | | LC 500mm | FWD | |
| mm | mm | mm | mm | mm | mm | deg | deg | kg | deg | deg | kg | |
| STD | 3,000 | 2,000 | 4,050 | 3,605 | 135 | 135 | 5 | 7 | 2,000 | 5 | 7 | 2,000 |
| | 3,300 | 2,150 | 4,350 | 3,905 | 135 | 135 | 5 | 7 | 2,000 | 5 | 7 | 2,000 |
| | 3,500 | 2,250 | 4,550 | 4,105 | 135 | 135 | 5 | 7 | 2,000 | 5 | 7 | 2,000 |
| | 3,700 | 2,350 | 4,750 | 4,305 | 135 | 135 | 5 | 7 | 2,000 | 5 | 7 | 2,000 |
| | 4,000 | 2,550 | 5,050 | 4,605 | 135 | 135 | 5 | 7 | 2,000 | 5 | 7 | 2,000 |
| 4,500 | 2,800 | 5,550 | 5,105 | 135 | 135 | 5 | 7 | 1,950 | 5 | 7 | 2,000 | |
| FF | 2,700 | 1,850 | 3,750 | 3,330 | 845 | 1,265 | 5 | 5 | 2,000 | 5 | 5 | 2,000 |
| | 3,000 | 2,000 | 4,050 | 3,630 | 995 | 1,415 | 5 | 5 | 2,000 | 5 | 5 | 2,000 |
| | 3,300 | 2,150 | 4,350 | 3,930 | 1,145 | 1,565 | 5 | 5 | 2,000 | 5 | 5 | 2,000 |
| FFT | 4,000 | 1,880 | 5,055 | 4,635 | 875 | 1,295 | 5 | 5 | 1,950 | 5 | 5 | 2,000 |
| | 4,500 | 2,045 | 5,550 | 5,130 | 1,040 | 1,460 | 5 | 5 | 1,875 | 5 | 5 | 1,975 |
| | 4,750 | 2,130 | 5,800 | 5,380 | 1,125 | 1,545 | 5 | 5 | 1,825 | 5 | 5 | 1,925 |
| | 5,000 | 2,245 | 6,050 | 5,630 | 1,240 | 1,660 | 5 | 5 | 1,800 | 5 | 5 | 1,900 |
| | 5,500 | 2,480 | 6,555 | 6,135 | 1,475 | 1,895 | 5 | 5 | 1,700 | 5 | 5 | 1,800 |
| | 6,000 | 2,645 | 7,050 | 6,630 | 1,640 | 2,060 | 5 | 5 | 1,575 | 5 | 5 | 1,500 |

Note: These load capacities are based on the standard chassis without side shifter.

Specification values quoted in this catalog have been rounded.

Products and specifications are subject to improvement and change without notice.

Performance may vary due to operating conditions.

The performance shown represents nominal values obtained under typical operating conditions.



B16X-7

| Mast type | Maximum Fork Height | Fully Lowered Height | Fully Extended Height | | Free Lift | | Rated Load Capacities | | | | | |
|-----------|---------------------|----------------------|-----------------------|-----------------------|--------------------|-----------------------|-----------------------|-----|-----------|-----------------------|-----|-----------|
| | | | with Load Backrest | without Load Backrest | with Load Backrest | without Load Backrest | Single Solid Tire | | | Single Pneumatic Tire | | |
| | | | | | | | Tilt Angle | | Load Cap. | Tilt Angle | | Load Cap. |
| | | | | | | | FWD | BWD | LC 500mm | FWD | BWD | LC 500mm |
| mm | mm | mm | mm | mm | mm | deg | deg | kg | deg | deg | kg | |
| STD | 3,000 | 2,000 | 4,045 | 3,600 | 130 | 130 | 5 | 7 | 1,600 | 5 | 7 | 1,600 |
| | 3,300 | 2,150 | 4,345 | 3,900 | 130 | 130 | 5 | 7 | 1,600 | 5 | 7 | 1,600 |
| | 3,500 | 2,250 | 4,545 | 4,100 | 130 | 130 | 5 | 7 | 1,600 | 5 | 7 | 1,600 |
| | 3,700 | 2,350 | 4,745 | 4,300 | 130 | 130 | 5 | 7 | 1,600 | 5 | 7 | 1,600 |
| | 4,000 | 2,550 | 5,045 | 4,600 | 130 | 130 | 5 | 7 | 1,600 | 5 | 7 | 1,600 |
| | 4,500 | 2,800 | 5,545 | 5,100 | 130 | 130 | 5 | 7 | 1,600 | 5 | 7 | 1,600 |
| FF | 2,700 | 1,850 | 3,745 | 3,325 | 845 | 1,265 | 5 | 5 | 1,600 | 5 | 5 | 1,600 |
| | 3,000 | 2,000 | 4,045 | 3,625 | 995 | 1,415 | 5 | 5 | 1,600 | 5 | 5 | 1,600 |
| | 3,300 | 2,150 | 4,345 | 3,925 | 1,145 | 1,565 | 5 | 5 | 1,600 | 5 | 5 | 1,600 |
| FFT | 4,000 | 1,880 | 5,050 | 4,630 | 875 | 1,295 | 5 | 5 | 1,600 | 5 | 5 | 1,600 |
| | 4,500 | 2,045 | 5,545 | 5,125 | 1,040 | 1,460 | 5 | 5 | 1,550 | 5 | 5 | 1,525 |
| | 4,750 | 2,130 | 5,795 | 5,375 | 1,125 | 1,545 | 5 | 5 | 1,500 | 5 | 5 | 1,475 |
| | 5,000 | 2,245 | 6,045 | 5,625 | 1,240 | 1,660 | 5 | 5 | 1,450 | 5 | 5 | 1,450 |
| | 5,500 | 2,480 | 6,550 | 6,130 | 1,475 | 1,895 | 5 | 5 | 1,350 | 5 | 5 | 1,350 |
| | 6,000 | 2,645 | 7,045 | 6,625 | 1,640 | 2,060 | 5 | 5 | 1,250 | 5 | 5 | 1,075 |

B18X-7

| Mast type | Maximum Fork Height | Fully Lowered Height | Fully Extended Height | | Free Lift | | Rated Load Capacities | | | | | |
|-----------|---------------------|----------------------|-----------------------|-----------------------|--------------------|-----------------------|-----------------------|-----|-----------|-----------------------|-----|-----------|
| | | | with Load Backrest | without Load Backrest | with Load Backrest | without Load Backrest | Single Solid Tire | | | Single Pneumatic Tire | | |
| | | | | | | | Tilt Angle | | Load Cap. | Tilt Angle | | Load Cap. |
| | | | | | | | FWD | BWD | LC 500mm | FWD | BWD | LC 500mm |
| mm | mm | mm | mm | mm | mm | deg | deg | kg | deg | deg | kg | |
| STD | 3,000 | 2,000 | 4,045 | 3,600 | 130 | 130 | 5 | 7 | 1,800 | n/a | n/a | n/a |
| | 3,300 | 2,150 | 4,345 | 3,900 | 130 | 130 | 5 | 7 | 1,800 | | | |
| | 3,500 | 2,250 | 4,545 | 4,100 | 130 | 130 | 5 | 7 | 1,800 | | | |
| | 3,700 | 2,350 | 4,745 | 4,300 | 130 | 130 | 5 | 7 | 1,800 | | | |
| | 4,000 | 2,550 | 5,045 | 4,600 | 130 | 130 | 5 | 7 | 1,800 | | | |
| | 4,500 | 2,800 | 5,545 | 5,100 | 130 | 130 | 5 | 7 | 1,700 | | | |
| FF | 2,700 | 1,850 | 3,745 | 3,325 | 845 | 1,265 | 5 | 5 | 1,800 | n/a | n/a | n/a |
| | 3,000 | 2,000 | 4,045 | 3,625 | 995 | 1,415 | 5 | 5 | 1,800 | | | |
| | 3,300 | 2,150 | 4,345 | 3,925 | 1,145 | 1,565 | 5 | 5 | 1,800 | | | |
| FFT | 4,000 | 1,880 | 5,050 | 4,630 | 875 | 1,295 | 5 | 5 | 1,800 | n/a | n/a | n/a |
| | 4,500 | 2,045 | 5,545 | 5,125 | 1,040 | 1,460 | 5 | 5 | 1,750 | | | |
| | 4,750 | 2,130 | 5,795 | 5,375 | 1,125 | 1,545 | 5 | 5 | 1,600 | | | |
| | 5,000 | 2,245 | 6,045 | 5,625 | 1,240 | 1,660 | 5 | 5 | 1,550 | | | |
| | 5,500 | 2,480 | 6,550 | 6,130 | 1,475 | 1,895 | 5 | 5 | 1,475 | | | |
| | 6,000 | 2,645 | 7,045 | 6,625 | 1,640 | 2,060 | 5 | 5 | 1,350 | | | |

B20X-7

| Mast type | Maximum Fork Height | Fully Lowered Height | Fully Extended Height | | Free Lift | | Rated Load Capacities | | | | | |
|-----------|---------------------|----------------------|-----------------------|-----------------------|--------------------|-----------------------|-----------------------|-----|-----------|-----------------------|-----|-----------|
| | | | with Load Backrest | without Load Backrest | with Load Backrest | without Load Backrest | Single Solid Tire | | | Single Pneumatic Tire | | |
| | | | | | | | Tilt Angle | | Load Cap. | Tilt Angle | | Load Cap. |
| | | | | | | | FWD | BWD | LC 500mm | FWD | BWD | LC 500mm |
| mm | mm | mm | mm | mm | mm | deg | deg | kg | deg | deg | kg | |
| STD | 3,000 | 2,000 | 4,050 | 3,605 | 135 | 135 | 5 | 7 | 2,000 | n/a | n/a | n/a |
| | 3,300 | 2,150 | 4,350 | 3,905 | 135 | 135 | 5 | 7 | 2,000 | | | |
| | 3,500 | 2,250 | 4,550 | 4,105 | 135 | 135 | 5 | 7 | 2,000 | | | |
| | 3,700 | 2,350 | 4,750 | 4,305 | 135 | 135 | 5 | 7 | 2,000 | | | |
| | 4,000 | 2,550 | 5,050 | 4,605 | 135 | 135 | 5 | 7 | 2,000 | | | |
| | 4,500 | 2,800 | 5,550 | 5,105 | 135 | 135 | 5 | 7 | 1,900 | | | |
| FF | 2,700 | 1,850 | 3,750 | 3,330 | 845 | 1,265 | 5 | 5 | 2,000 | n/a | n/a | n/a |
| | 3,000 | 2,000 | 4,050 | 3,630 | 995 | 1,415 | 5 | 5 | 2,000 | | | |
| | 3,300 | 2,150 | 4,350 | 3,930 | 1,145 | 1,565 | 5 | 5 | 2,000 | | | |
| FFT | 4,000 | 1,880 | 5,055 | 4,635 | 875 | 1,295 | 5 | 5 | 1,900 | n/a | n/a | n/a |
| | 4,500 | 2,045 | 5,550 | 5,130 | 1,040 | 1,460 | 5 | 5 | 1,900 | | | |
| | 4,750 | 2,130 | 5,800 | 5,380 | 1,125 | 1,545 | 5 | 5 | 1,800 | | | |
| | 5,000 | 2,245 | 6,050 | 5,630 | 1,240 | 1,660 | 5 | 5 | 1,725 | | | |
| | 5,500 | 2,480 | 6,555 | 6,135 | 1,475 | 1,895 | 5 | 5 | 1,650 | | | |
| | 6,000 | 2,645 | 7,050 | 6,630 | 1,640 | 2,060 | 5 | 5 | 1,500 | | | |

Note: These load capacities are based on the standard chassis without side shifter.



Doosan Industrial Vehicle Europe nv

Europark-Noord 36A
9100 Sint-Niklaas
Belgium

Tel.: +32 3 760 09 87
Fax: +32 3 760 09 89
Website: www.doosan-iv.eu

B20TX7-190412ENV3 (April 2019)

Authorized Dealer